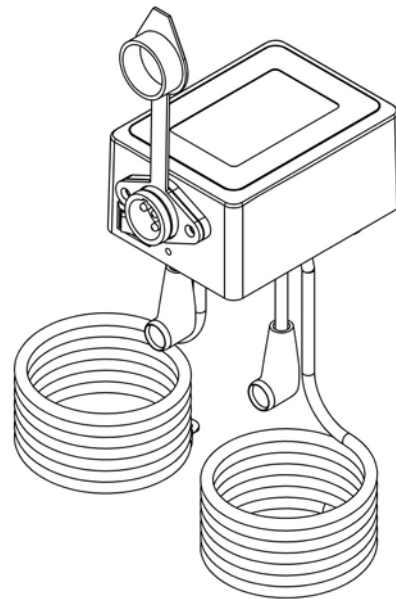




## CONTROL BOX KIT



### PART NUMBERS:

S105648: CONTROL BOX KIT, 12 VDC

S105649: CONTROL BOX KIT, 24 VDC



**SAVE THESE  
INSTRUCTIONS**

Document:  
S105682-RevB  
December, 2019  
W19-0132

# CONTROL BOX KIT PART NUMBERS

CONTROL BOX KIT PART NUMBER	COMPATIBLE WINCH MODELS
S105648	SH1000 12 VDC Hoist (S104089) SH1000ND 12 VDC Hoist (S104091)
S105649	SH1000 24 VDC Hoist (S105600) SH1000ND 24VDC Hoist (S104093)

# INSTALLATION INSTRUCTIONS

1. Remove contents from box, verify if all parts listed are present and free from damage.

Carefully read and understand all instructions before attempting installation.

**Failure to identify damage before installation could lead to a rejection of any claim.**

2. Place the control box on top of the hoist motor. See **Figures 1 and 2**.
3. Use the included hose clamp to fasten the control box on top of the hoist motor.
4. Connect the yellow cable from the control box to the yellow terminal on the motor.
5. Connect the blue cable from the control box to the blue terminal on the motor.
6. Connect the red power cable to the positive terminal of the power source (not included).
7. Connect the black ground cable to the negative terminal of the power source.

SH1000 Hoist

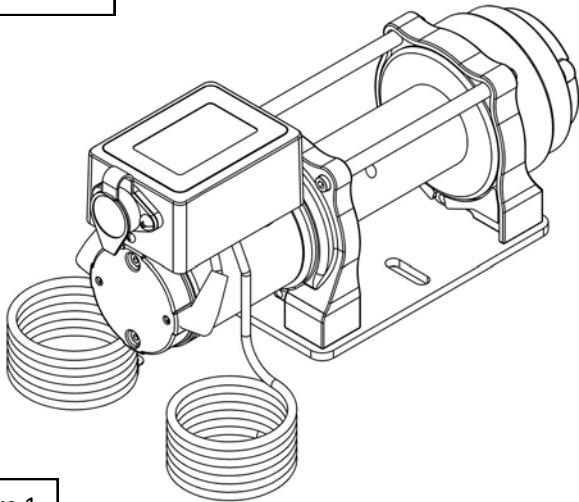


Figure 1

SH1000ND Hoist

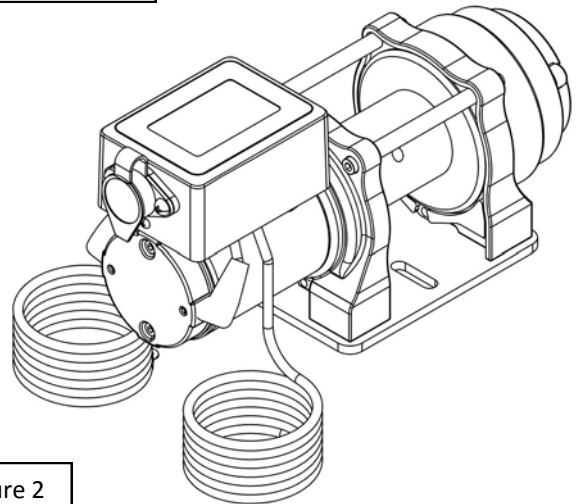
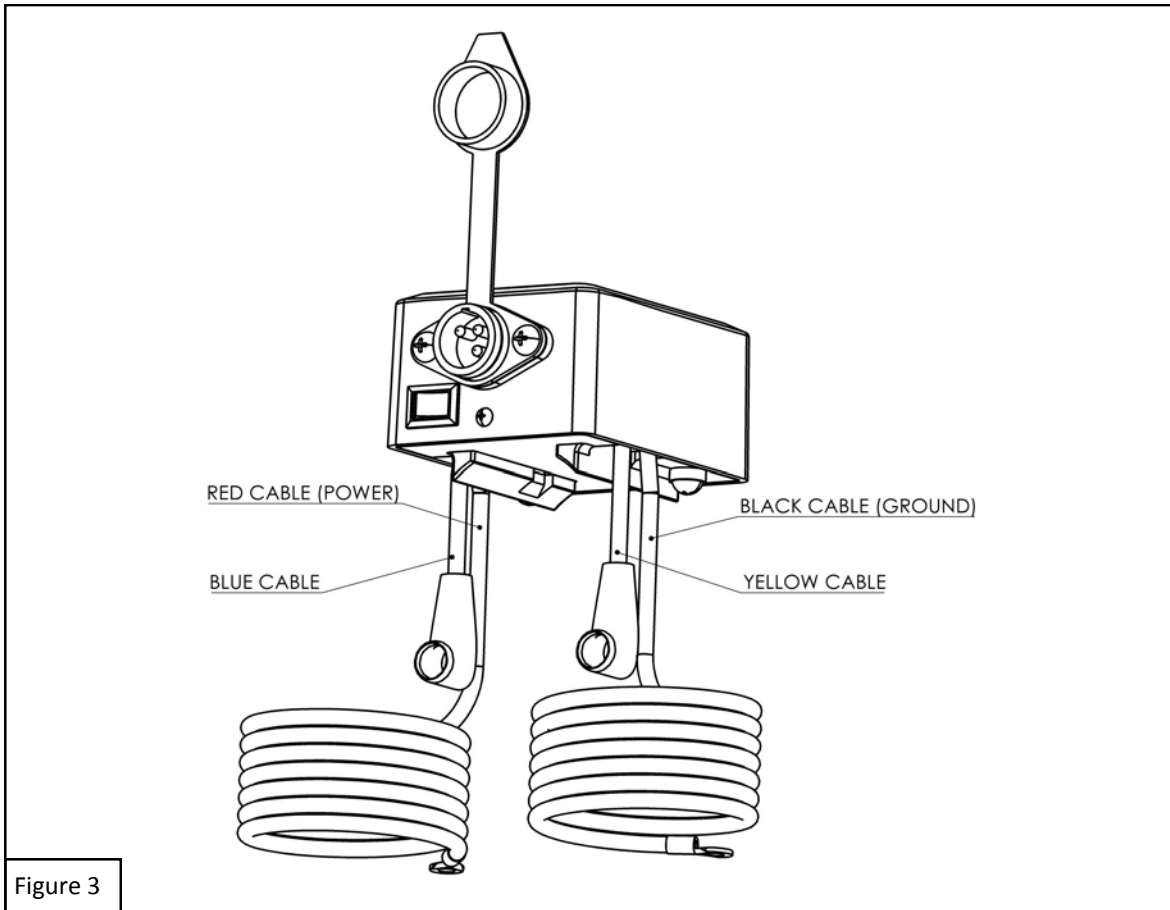


Figure 2

# CONTROL BOX KIT REFERENCE FIGURE





For more information on this and other products,  
or to be put in contact with a Superwinch sales  
rep or distributor, call +1 (800) 323- 2031 for US  
or email [info@superwinch.com](mailto:info@superwinch.com)

**SUPERWINCH**  
**320 W. COVINA BLVD.**  
**SAN DIMAS, CA 91773**

Document:  
S105682-RevB  
December, 2019  
W19-0132