



HYDRAULIC WINCH SI BRAKE KIT

PART NUMBERS:

S106105: For SI 8000, 10000, 12000, and 15000
Hydraulic Winches

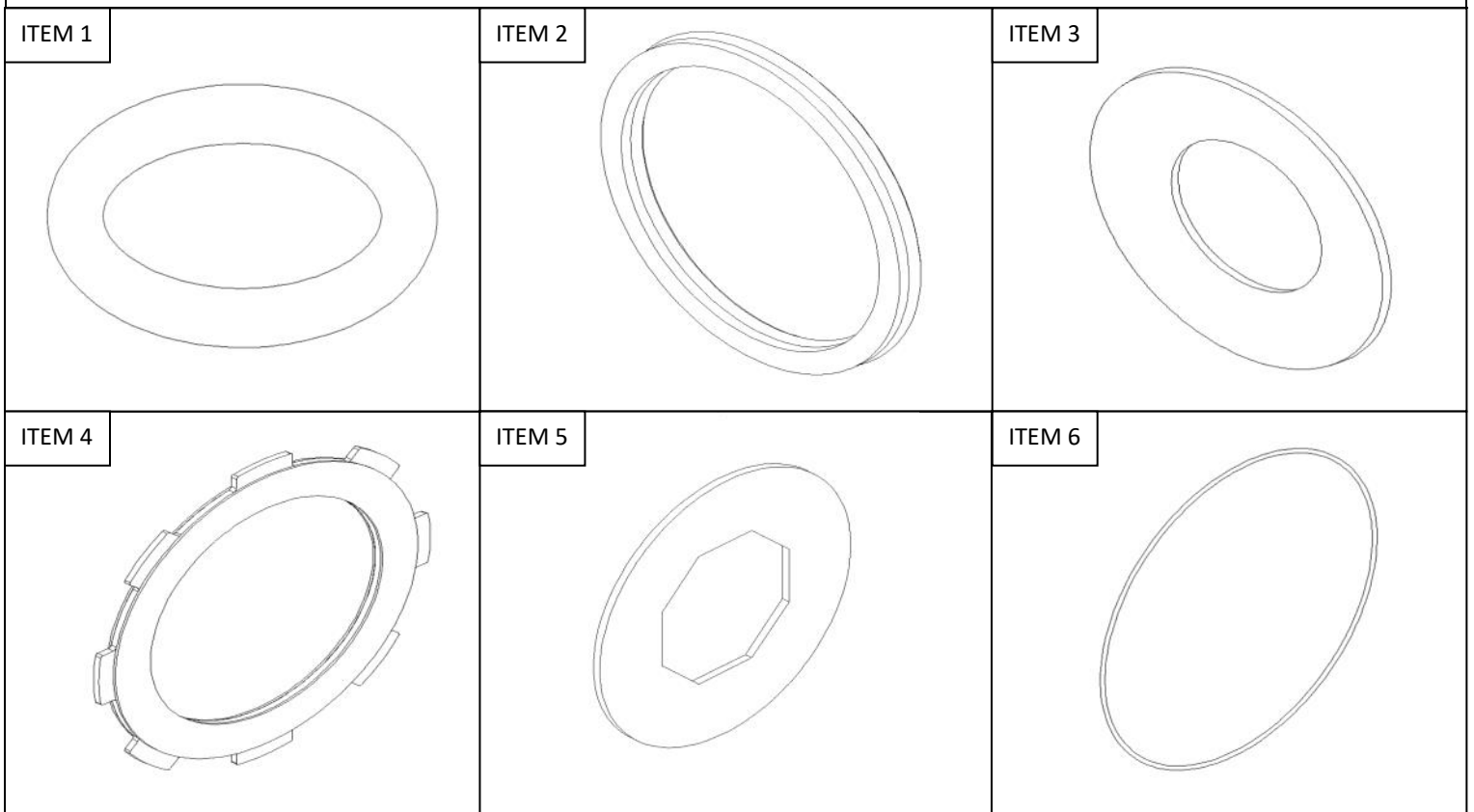


**SAVE THESE
INSTRUCTIONS**

CONTENTS

ITEM	QUANTITY	DESCRIPTION
1	2	SMALL O-RING
2	1	U-RING HYDRAULIC BRAKE SEAL
3	2	DISK SPRING
4	4	BRAKE DISK, FIXED
5	3	BRAKE DISK, ROTATING
6	1	LARGE O-RING

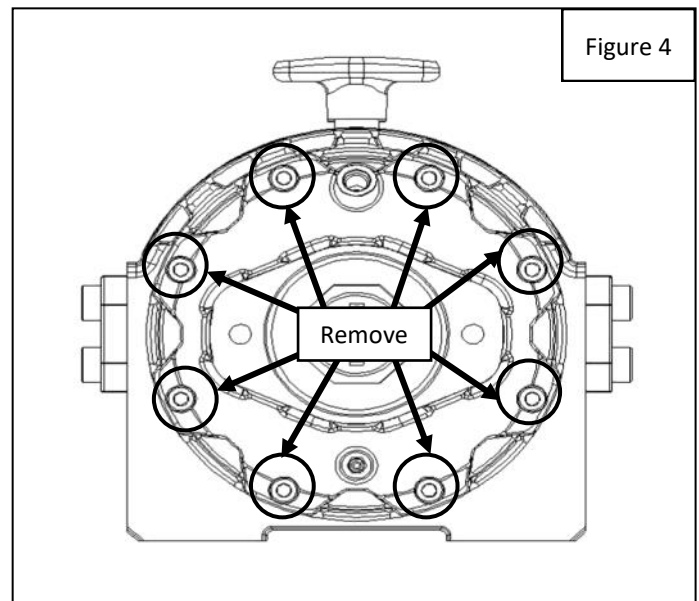
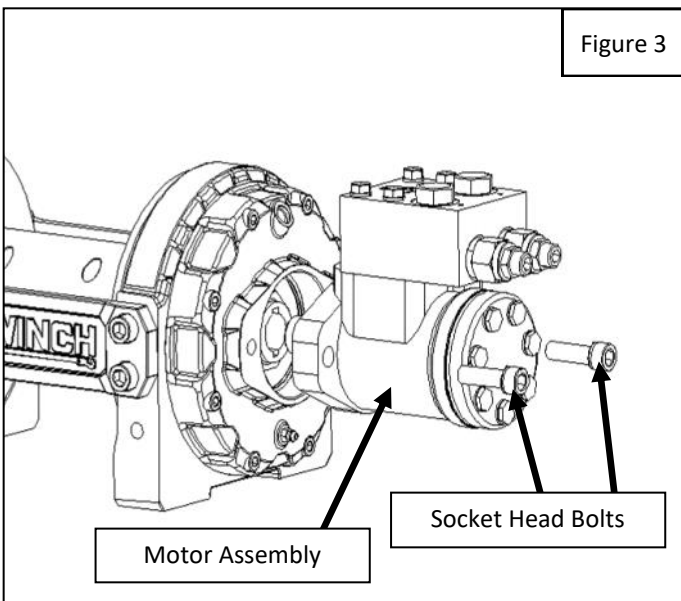
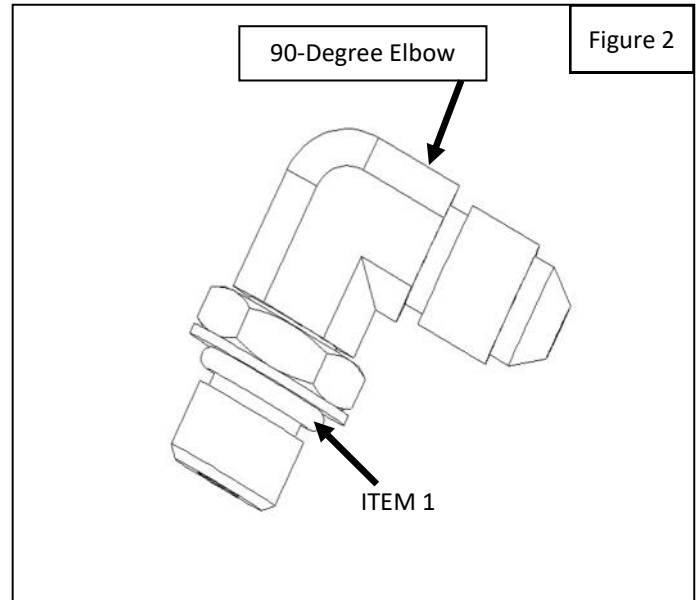
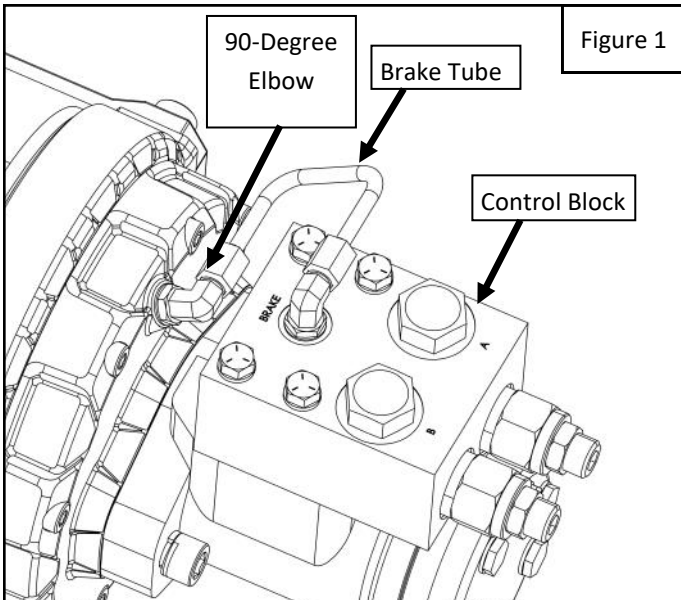
ANTI-SEIZE LUBRICANT MUST BE USED ON ALL STAINLESS STEEL FASTENERS TO PREVENT THREAD DAMAGE AND GALLING



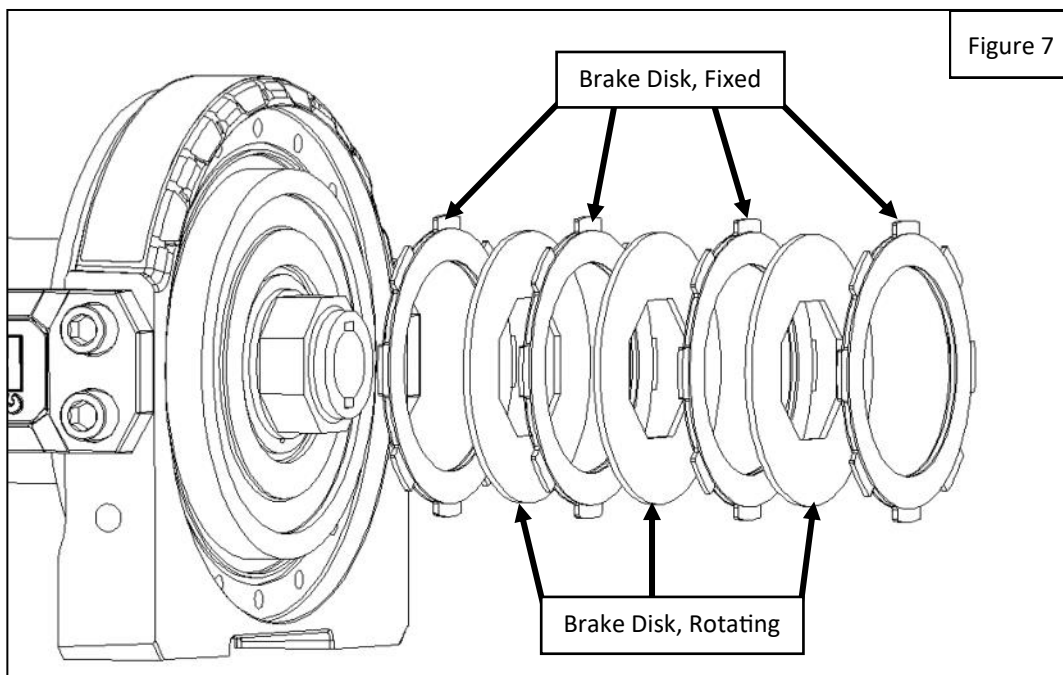
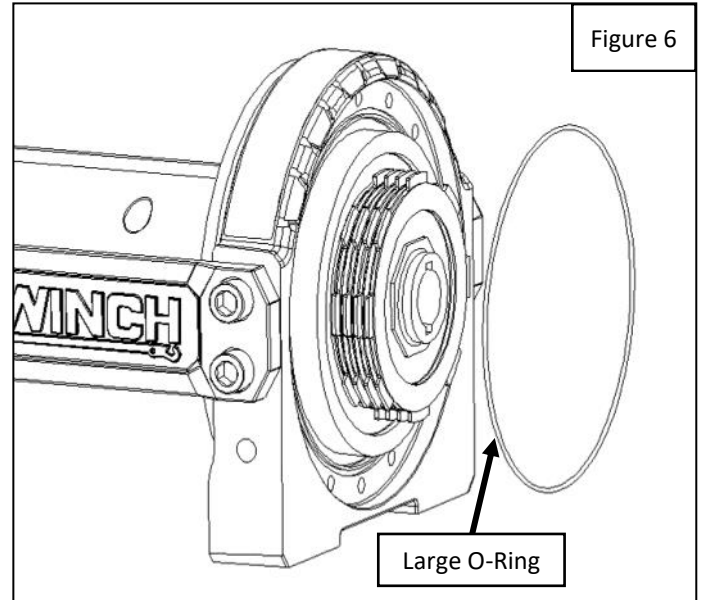
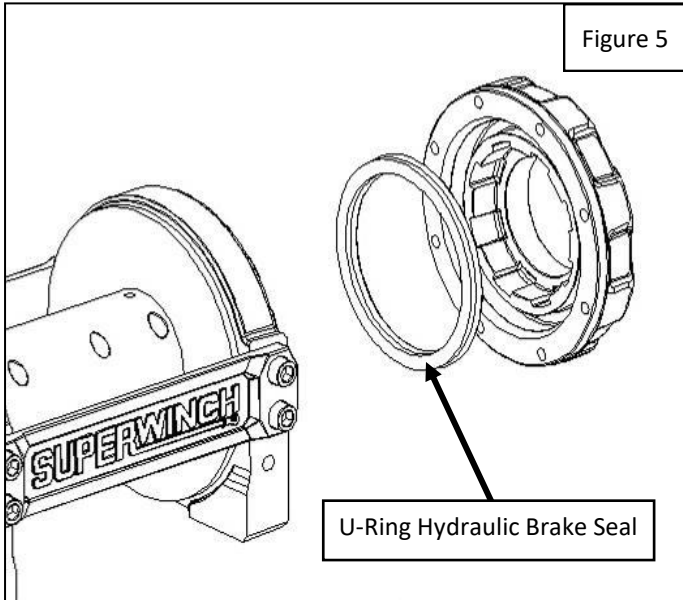
INSTALLATION INSTRUCTIONS

1. Remove contents from box, verify if all parts listed are present and free from damage. **Failure to identify damage before installation could lead to a rejection of any claim.**
2. Carefully read and understand all instructions before attempting installation. **Ensure that all mounting hardware is torqued to specifications prior to use.**

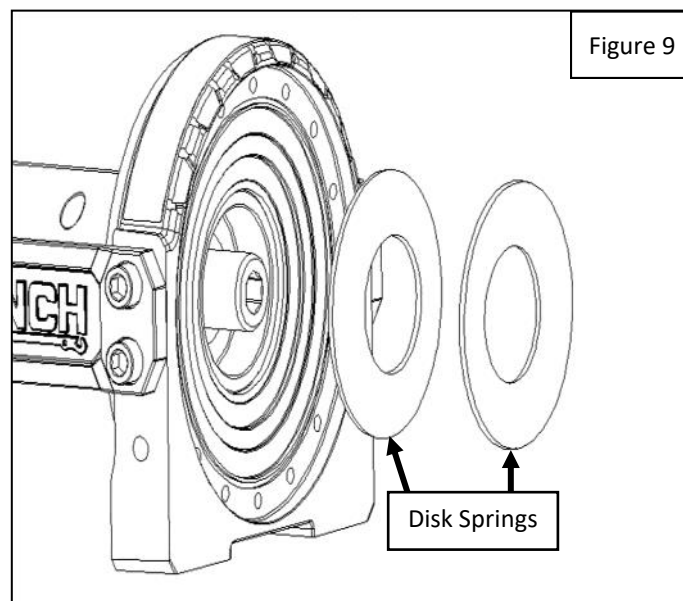
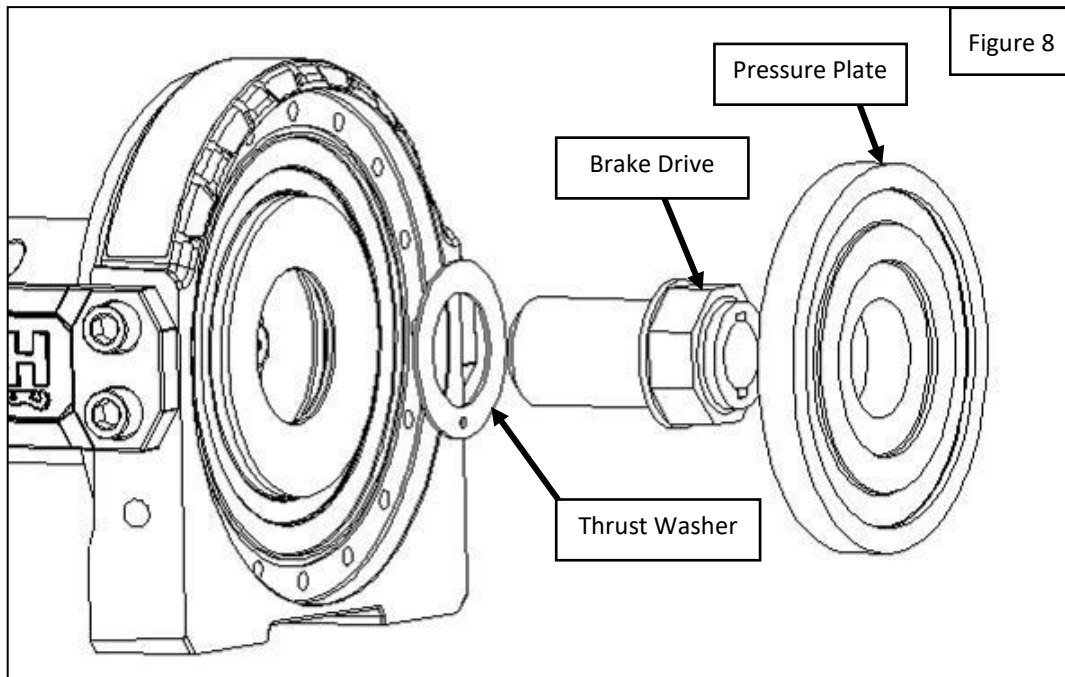
3. Remove the original brake tube. See **Figure 1**.
4. Remove both 90-degree elbows. See **Figure 2**.
5. Remove and replace the small O-rings on the 90-degree elbows (item 1). See **Figure 2**.
6. Remove the motor assembly by removing the two socket head bolts holding it in place. See **Figure 3**.
7. Remove the motor mount/brake housing by removing the eight socket head bolts. See **Figure 4**.



8. Remove and replace the U-ring hydraulic brake seal (item 2) from inside the motor mount/brake housing. See **Figure 5**.
9. Remove original large O-Ring. See **Figure 6**.
10. Remove original brake disks, fixed and brake disks, rotating. See **Figure 7**.



11. Remove the pressure plate, brake drive, and thrust washer. **See Figure 8.**
12. Remove and replace the Disk Springs (item 3). **See Figure 9.**
13. Reinstall the pressure plate, brake drive, and thrust washer.
14. Install the replacement brake disks, fixed (item 4) and brake disks, rotating (item 5). See **Figure 7.**
15. Install the replacement large O-ring (item 6). See **Figure 6.**
16. Reinstall the motor mount/brake housing.
17. Reinstall the motor assembly.
18. Reinstall the 90-degree elbows and brake tube.



WARNING

Failure to follow these instructions could lead to death, personal injury, and / or property damage.

FASTENERS:

All SUPERWINCH supplied fasteners must be utilized and installed in accordance with the installation instructions and apply torque to the specifications as defined. DOUBLE CHECK ALL FASTENERS BEFORE INITIAL USE, AND PERIODICALLY IN THE FUTURE TO ENSURE PROPER FUNCTION AND SAFETY.

EYE PROTECTION:

ALWAYS WEAR SAFETY GLASSES OR GOGGLES DURING THE INSTALLATION PROCESS TO AVOID PERSONAL INJURY.

FOR CALIFORNIA RESIDENTS ONLY-PROP 65 WARNING:

Some products may contain chemicals such as DEHP, which can cause cancer, birth defects or other reproductive harm. For more info go to www.p65warnings.ca.gov



For more information on this and other products,
or to be put in contact with a Superwinch sales
rep or distributor, call (800) 323- 2031
or email info@superwinch.com

SUPERWINCH
320 W. COVINA BLVD.
SAN DIMAS, CA 91773

© 2019 SUPERWINCH®, Superwinch®, and S Superwinch® (design) are registered trademarks of Superwinch Inc. in the United States and/or other countries.