



# **SI HYDRAULIC WINCH REPLACEMENT MOTOR ASSEMBLY**

PART NUMBERS:

S106100 - SI 8000 HYDRAULIC MOTOR ASSEMBLY

S106102 - SI 10000 HYDRAULIC MOTOR ASSEMBLY

S106104 - SI 12000 AND 15000 HYDRAULIC  
MOTOR ASSEMBLY



**SAVE THESE  
INSTRUCTIONS**

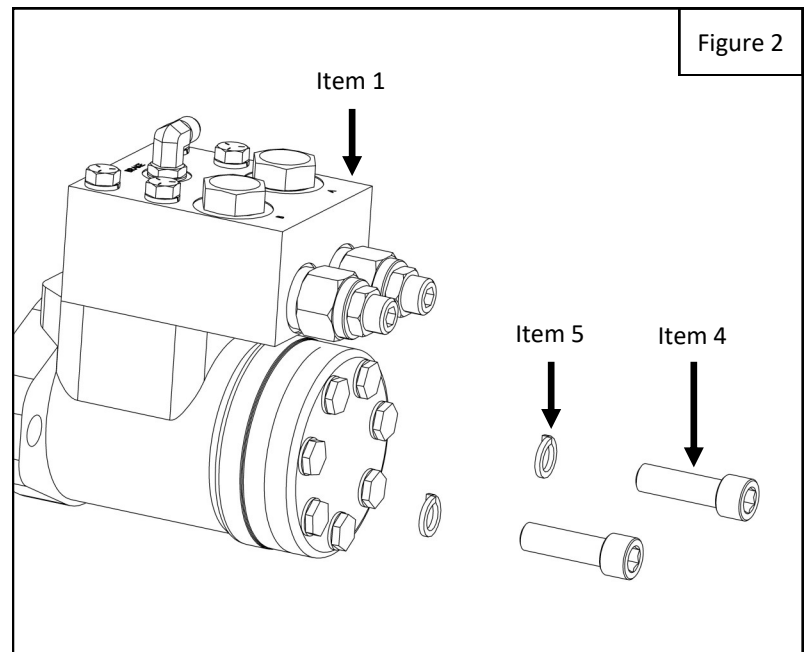
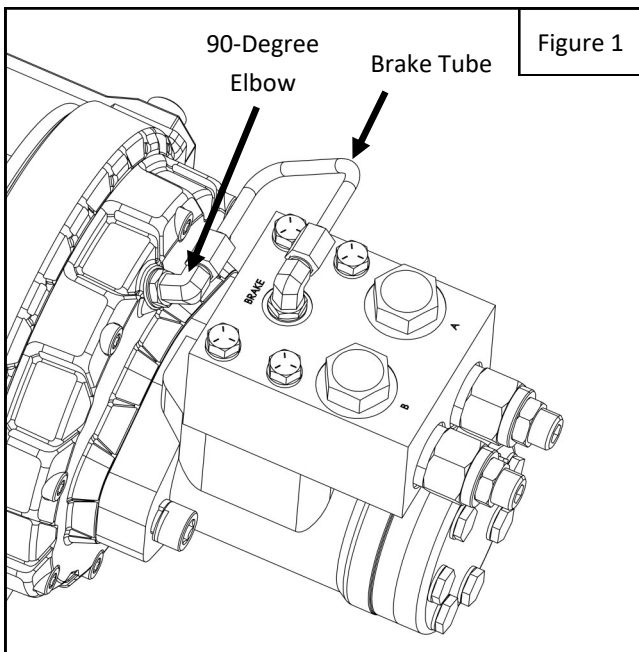
# CONTENTS

ITEM	QUANTITY	DESCRIPTION
1	1	MOTOR ASSEMBLY
2	1	90-DEGREE ELBOW
3	1	BRAKE TUBE
4	2	M12 SOCKET HEAD BOLT
5	2	M12 SPLIT LOCK WASHER

**ANTI-SEIZE LUBRICANT MUST BE USED ON ALL STAINLESS STEEL FASTENERS TO PREVENT THREAD DAMAGE AND GALLING**

# INSTALLATION INSTRUCTIONS

1. Remove contents from box, verify if all parts listed are present and free from damage. **Failure to identify damage before installation could lead to a rejection of any claim.**
2. Carefully read and understand all instructions before attempting installation. **Ensure that all mounting hardware is torqued to specifications prior to use.**
3. Remove the original brake tube. See **Figure 1**.
4. Remove the original motor assembly by removing the two socket head bolts holding in place.
5. Remove and replace the 90-degree elbow (item 2) on the winch. See **Figure 1**.
6. Install the replacement brake tube (item 3) onto the 90-degree elbow on the winch. See **Figure 1**.
7. Use the supplied M12 hardware (items 4 & 5) to install the replacement motor assembly (item 1) ensuring that the motor engages the brake.
8. Attach the brake tube to the second 90-degree elbow on the motor assembly.



# WARNINGS

**Failure to follow these instructions could lead to death, personal injury, and / or property damage.**

**FASTENERS:**

**All SUPERWINCH supplied fasteners must be utilized and installed in accordance with the installation instructions and apply torque to the specifications as defined. DOUBLE CHECK ALL FASTENERS BEFORE INITIAL USE, AND PERIODICALLY IN THE FUTURE TO ENSURE PROPER FUNCTION AND SAFETY.**

**EYE PROTECTION:**

**ALWAYS WEAR SAFETY GLASSES OR GOGGLES DURING THE INSTALLATION PROCESS TO AVOID PERSONAL INJURY.**

**FOR CALIFORNIA RESIDENTS ONLY-PROP 65 WARNING:**

**Some products may contain chemicals such as DEHP, which can cause cancer, birth defects or other reproductive harm. For more info go to [www.p65warnings.ca.gov](http://www.p65warnings.ca.gov)**



For more information on this and other products,  
or to be put in contact with a Superwinch sales  
rep or distributor, call (800) 323- 2031  
or email [info@superwinch.com](mailto:info@superwinch.com)

**SUPERWINCH**  
**320 W. COVINA BLVD.**  
**SAN DIMAS, CA 91773**

© 2019 SUPERWINCH®, Superwinch®, and S Superwinch® (design) are registered trademarks of Superwinch Inc. in the United States and/or other countries.