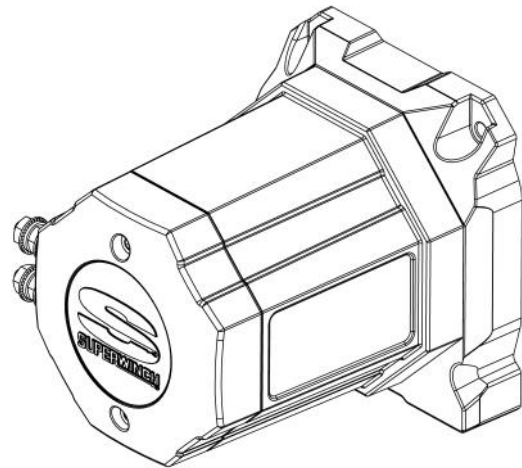




## **SP 35/35SR and SP 45/45SR Replacement Motors**



### **PART NUMBERS:**

90-42755: SP 35/35SR Replacement Motor

90-42756: SP 45/45SR Replacement Motor

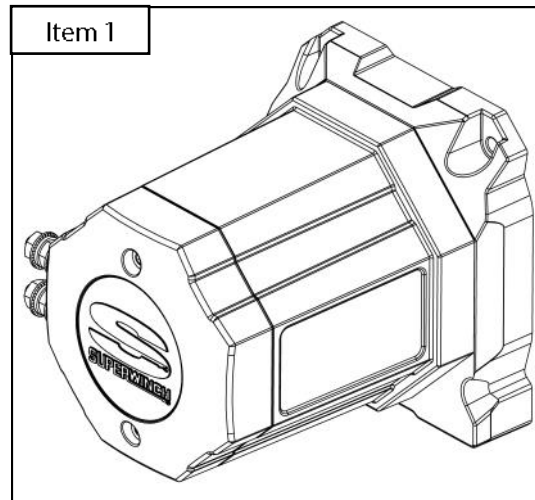


**SAVE THESE  
INSTRUCTIONS**

# CONTENTS

ITEM	QUANTITY	DESCRIPTION
1	1	Motor End Assembly

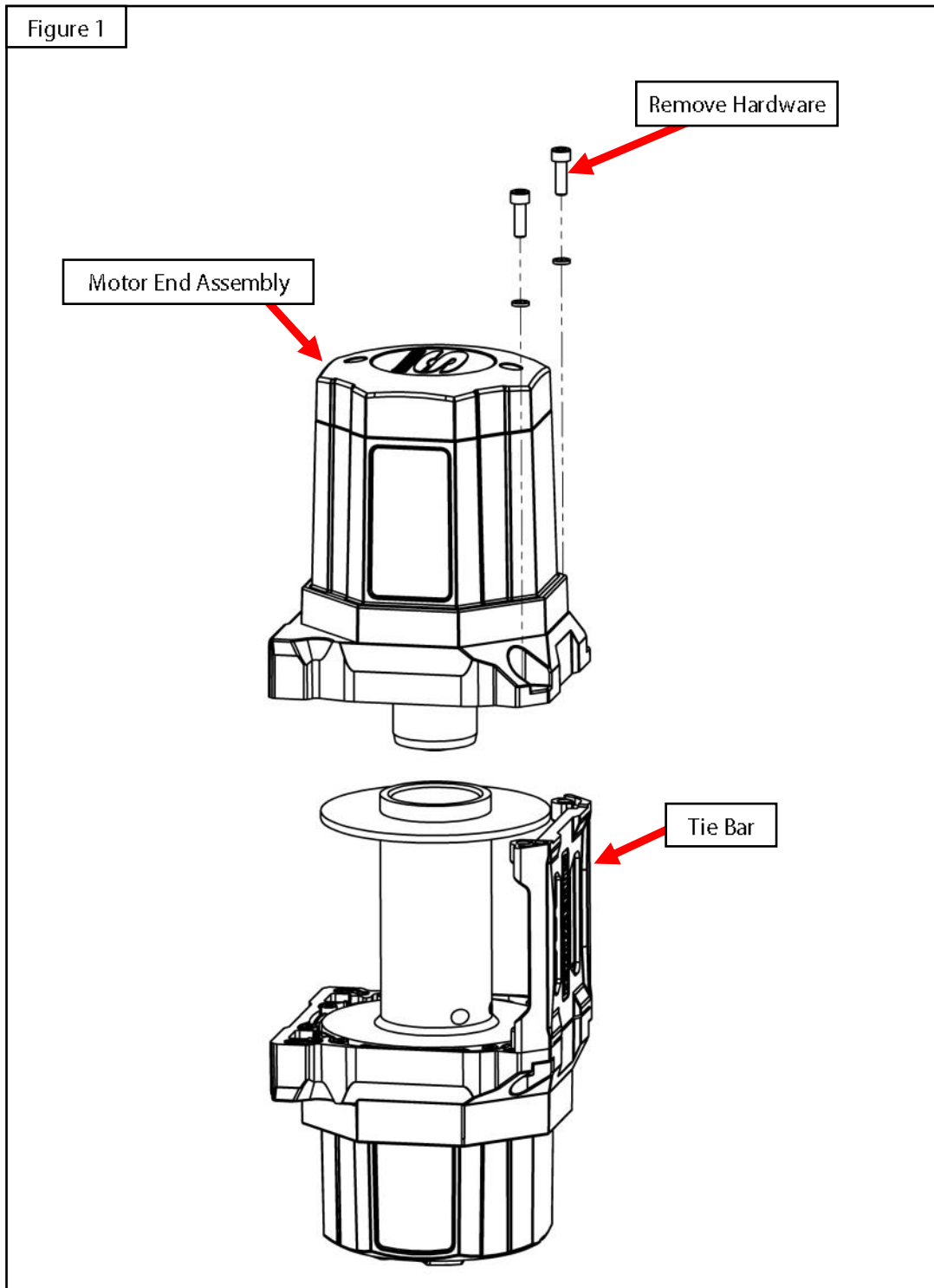
**ANTI-SEIZE LUBRICANT MUST BE USED ON ALL STAINLESS STEEL FASTENERS TO PREVENT THREAD DAMAGE AND GALLING**



# INSTALLATION INSTRUCTIONS

1. Remove contents from box, verify if all parts listed are present and free from damage. **Failure to identify damage before installation could lead to a rejection of any claim. Note: Carefully remove the winch as the control box will be loose**
2. Carefully read and understand all instructions before attempting installation. **Ensure that all mounting hardware is torqued to specifications prior to use.**

3. Disconnect the battery power cable and battery ground cable from the battery.
4. Place winch on its side with motor side facing up. See **Figure 1**.
5. Remove the (2) socket head bolts attaching the motor end assembly to the tie bar. See **Figure 1**.
6. Remove the original motor end assembly. Make sure that the drive shaft remains in place. See **Figure 1**.
7. Install the replacement motor end assembly (**item 1**). Make sure that the motor end assembly engages the drive shaft.
8. Reinstall the socket head bolts removed in **Step 5**.



# WARNINGS

**Failure to follow these instructions could lead to death, personal injury, and / or property damage.**

## **FASTENERS:**

**All SUPERWINCH supplied fasteners must be utilized and installed in accordance with the installation instructions and apply torque to the specifications as defined. DOUBLE CHECK ALL FASTENERS BEFORE INITIAL USE, AND PERIODICALLY IN THE FUTURE TO ENSURE PROPER FUNCTION AND SAFETY.**

## **EYE PROTECTION:**

**ALWAYS WEAR SAFETY GLASSES OR GOGGLES DURING THE INSTALLATION PROCESS TO AVOID PERSONAL INJURY.**

## **FOR CALIFORNIA RESIDENTS ONLY-PROP 65 WARNING:**

**Some products may contain chemicals such as DEHP, which can cause cancer, birth defects or other reproductive harm. For more info go to [www.p65warnings.ca.gov](http://www.p65warnings.ca.gov)**



For more information on this and other products,  
or to be put in contact with a Superwinch sales  
rep or distributor, call (800) 323- 2031  
or email [info@superwinch.com](mailto:info@superwinch.com)

**SUPERWINCH**  
**320 W. COVINA BLVD.**  
**SAN DIMAS, CA 91773**

© 2019 SUPERWINCH®, Superwinch®, and S Superwinch® (design) are registered trademarks of Superwinch Inc. in the United States and/or other countries.