



**TIGER SHARK  
15000/15000SR  
SMALL PARTS KIT**

PART NUMBER:

90-42746

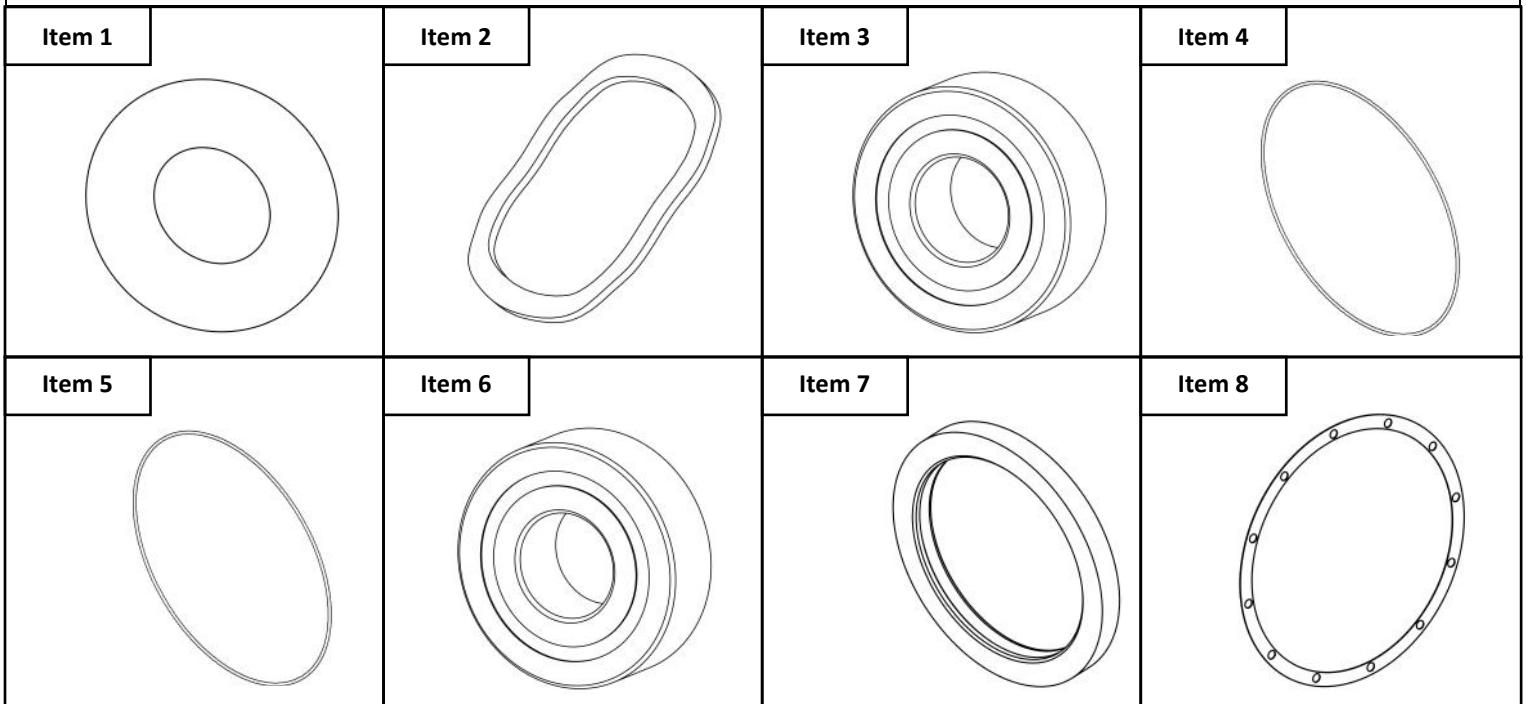


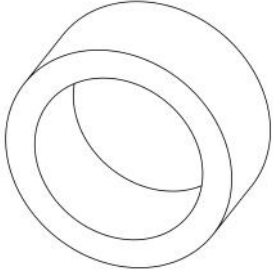
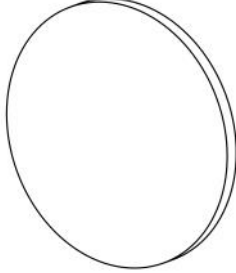
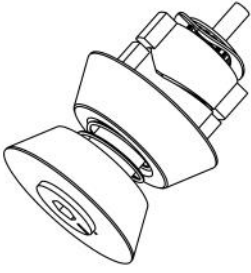
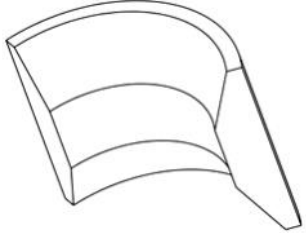
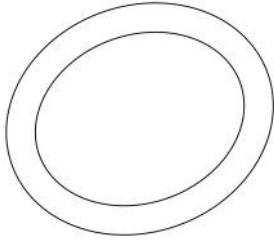
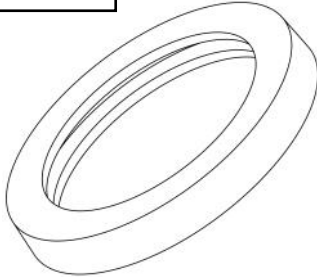
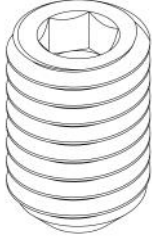
**SAVE THESE  
INSTRUCTIONS**

# CONTENTS

ITEM	QUANTITY	DESCRIPTION
1	2	MOTOR BOLT O-RING
2	1	BALL BEARING SPACER
3	1	SMALL BALL BEARING
4	1	MOTOR END SEAL
5	1	MOTOR SEAL
6	1	LARGE BALL BEARING
7	2	DRUM SUPPORT SEAL/BUSHING
8	2	FACE SEAL
9	1	GEARBOX BUSHING
10	1	ROUND SPACER PLATE
11	1	CONE BRAKE
12	3	BRAKE PAD
13	1	CLUTCH O-RING
14	1	CLUTCH GASKET
15	1	M8 SET SCREW

**ANTI-SEIZE LUBRICANT MUST BE USED ON ALL STAINLESS STEEL FASTENERS TO PREVENT THREAD DAMAGE AND GALLING**



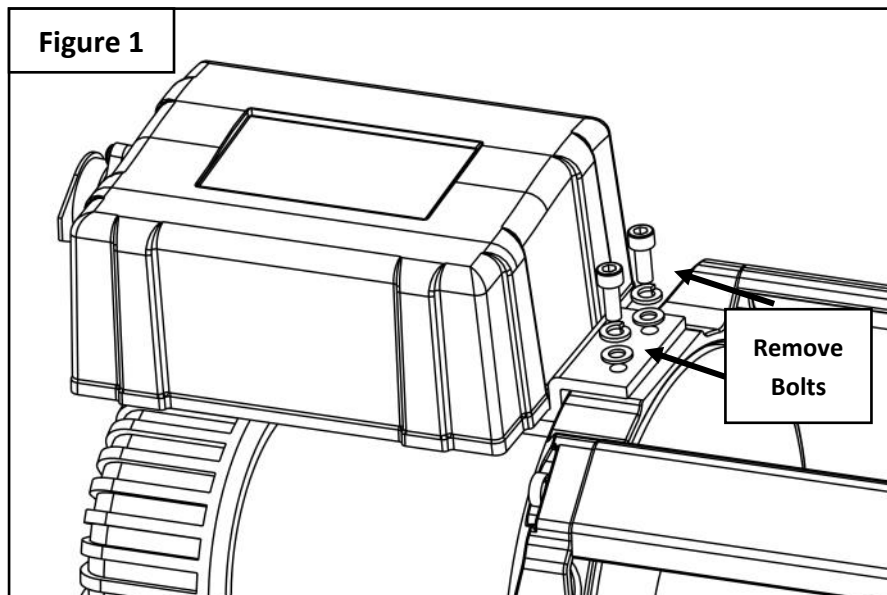
<p><b>Item 9</b></p> 	<p><b>Item 10</b></p> 	<p><b>Item 11</b></p> 	<p><b>Item 12</b></p> 
<p><b>Item 13</b></p> 	<p><b>Item 14</b></p> 	<p><b>Item 15</b></p> 	

▲

▲

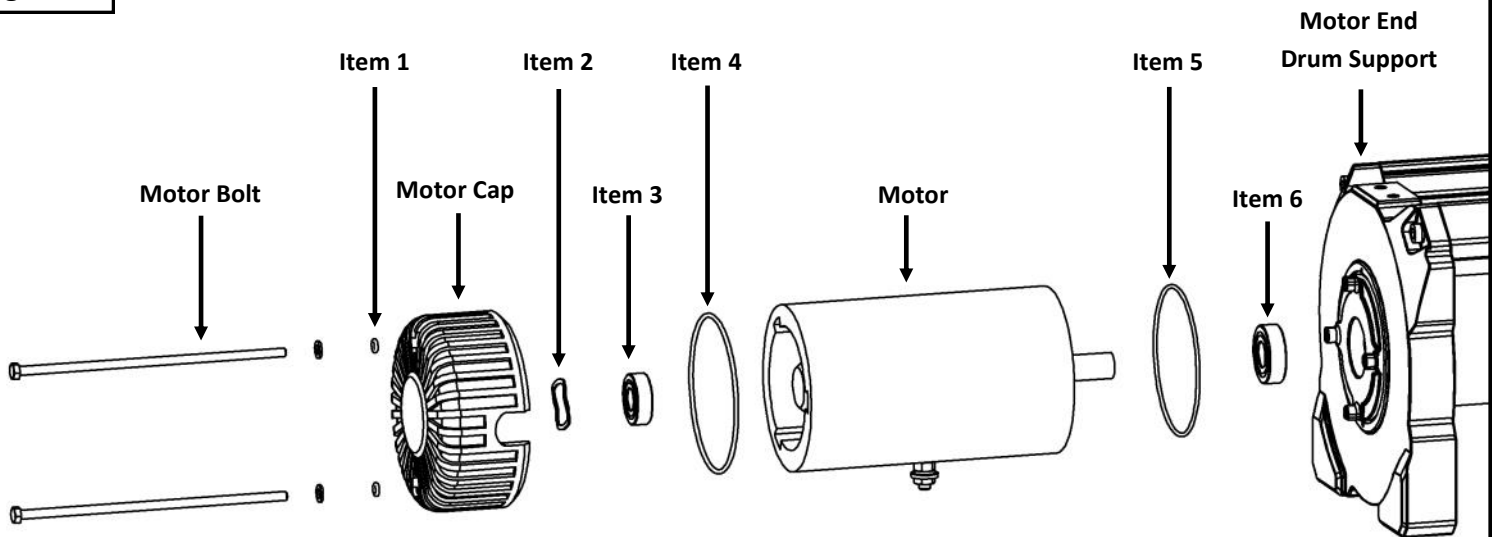
# INSTALLATION INSTRUCTIONS

1. Remove contents from box, verify if all parts listed are present and free from damage. **Failure to identify damage before installation could lead to a rejection of any claim.**
2. Carefully read and understand all instructions before attempting installation. **Ensure that all mounting hardware is torqued to specifications prior to use.**
3. Disconnect the power cable and ground cable from the battery.
4. Remove one M8 serrated flange nut from each motor terminal and remove the motor cables.
5. Remove the control box by removing the two bolts holding it in place. See **Figure 1**.
6. Lift the motor end of the winch up so that the winch rests on the gearbox.

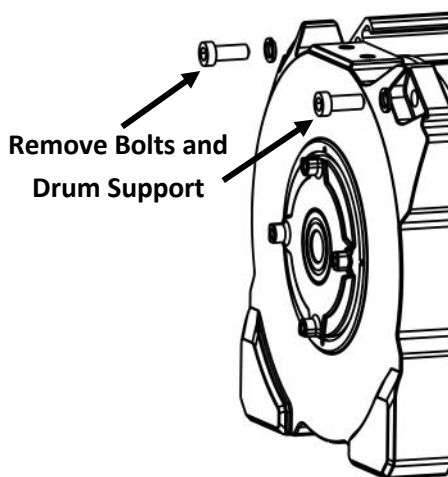


7. Remove the motor by removing the two motor bolts. See **Figure 2**.
8. Remove and replace the two Motor Bolts O-Rings (**Item 1**) . See **Figure 2**.
9. Remove the motor end drum support from the winch by removing the two socket head bolts holding in place. See **Figure 3**.
10. Remove and replace the Large Ball Bearing (**item 6**). See **Figure 4**.
11. Remove and replace the Drum Support Seal/Bushing (**item 7**). See **Figure 5**.
12. Remove and replace the Ball Bearing Spacer (**item 2**), Small Ball Bearing (**item 3**), Motor End Seal (**item 4**), and Motor Seal (**item 5**). See **Figure 2**.
13. Reassemble the motor and motor end drum support. See **Figure 2**.

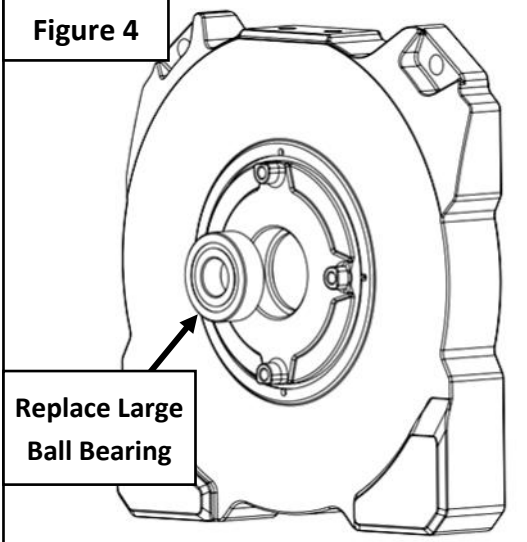
**Figure 2**



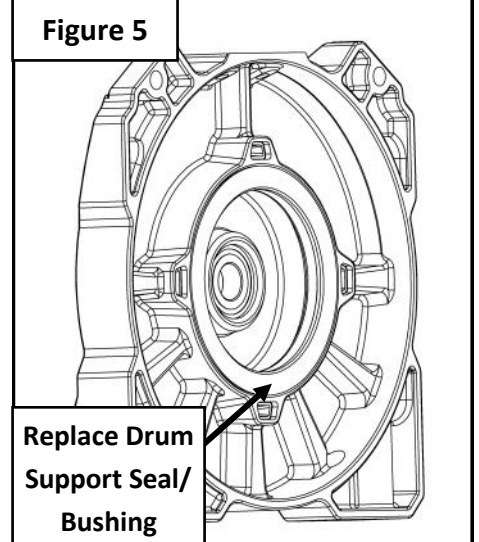
**Figure 3**



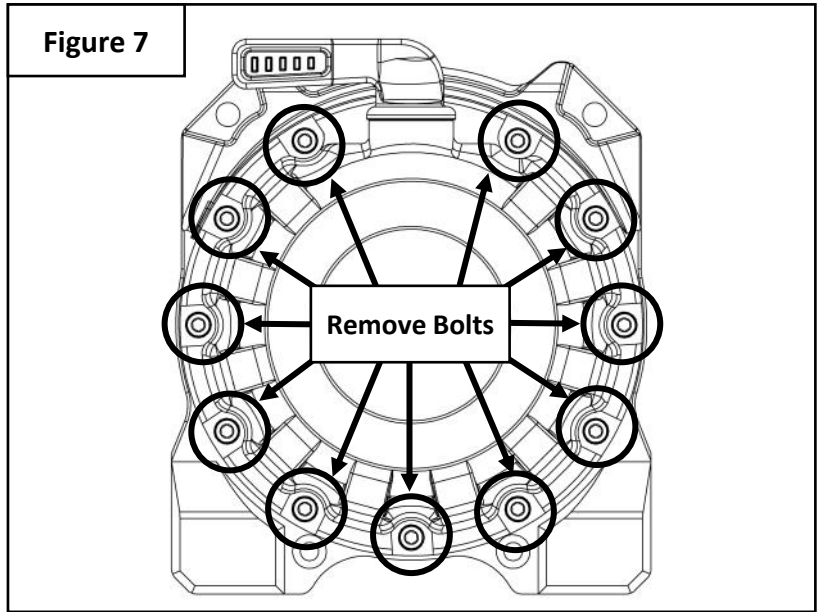
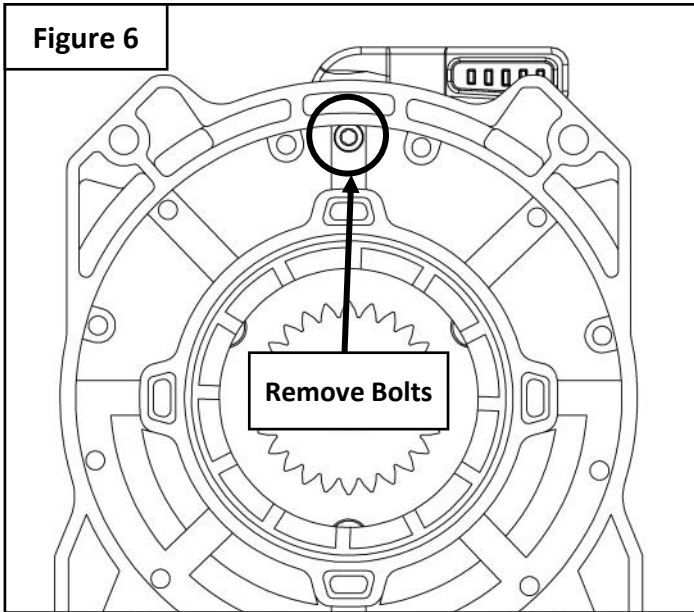
**Figure 4**



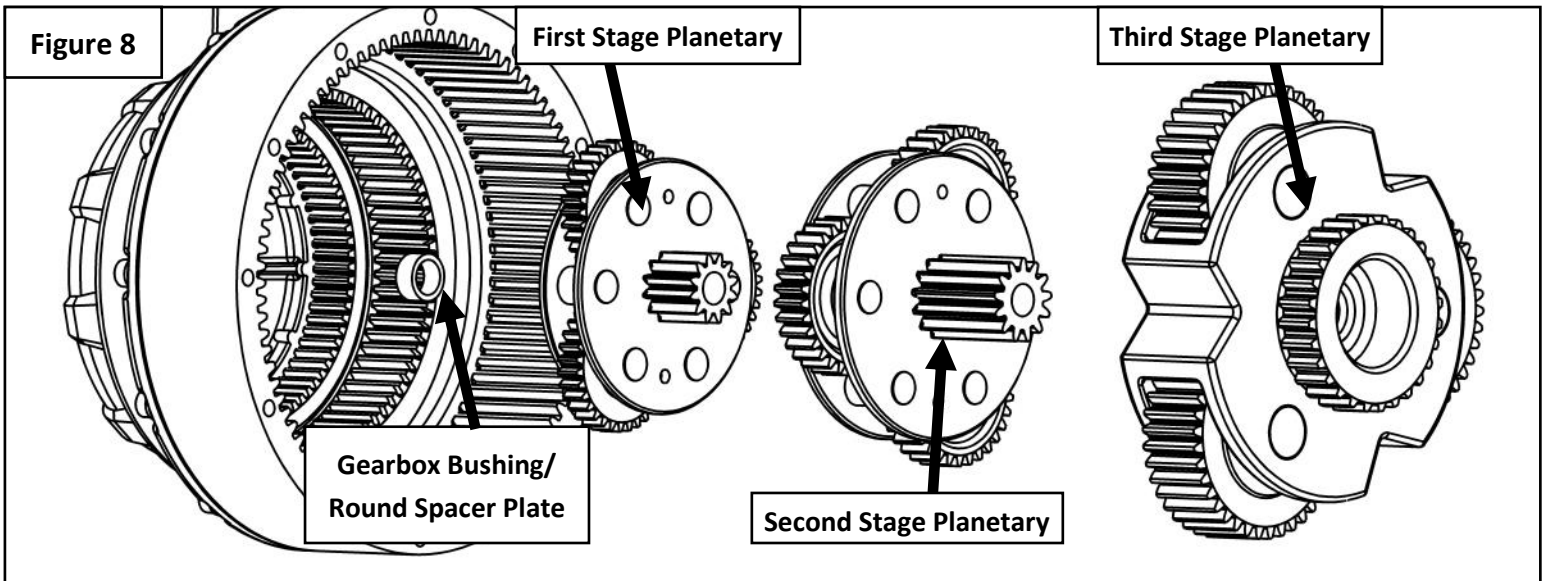
**Figure 5**



14. Remove the drum, tie bars, and drive shaft from the gearbox end of the winch.
15. Remove the gearbox drum support by removing the bolts holding it in place. See **Figures 6 and 7**.
16. Remove and replace the Drum Support Seal/Bushing on the gearbox end drum support. See **Figure 5**.

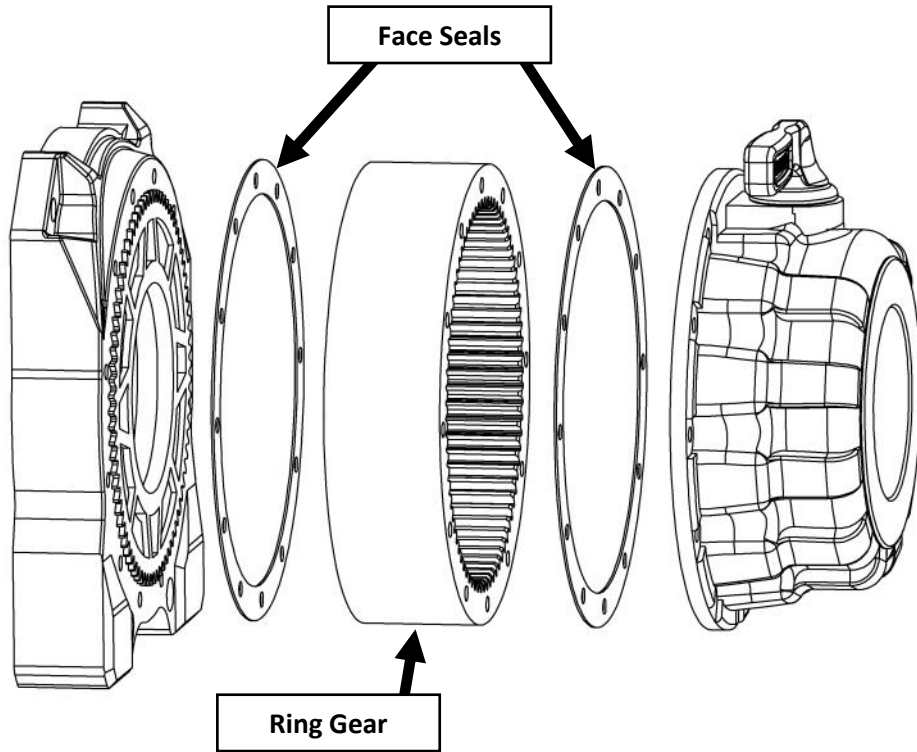


17. Remove the third stage planetary gearset, second stage planetary gearset, first stage planetary gearset, Gearbox Bushing (item 9), and Round Spacer Plate (item 10). See **Figure 8**.



18. Remove and replace the Face Seals (item 8). See Figure 9.

Figure 9



19. Remove the bolt from the inside of the gearbox that holds the clutch in place. See Figure 10.

20. Remove the clutch from the gearbox.

21. Remove and replace the Clutch Gasket (item 14) and Clutch O-Ring (item 13). See Figure 11.

22. Reinstall the clutch using the hardware removed in Step 19.

Figure 10

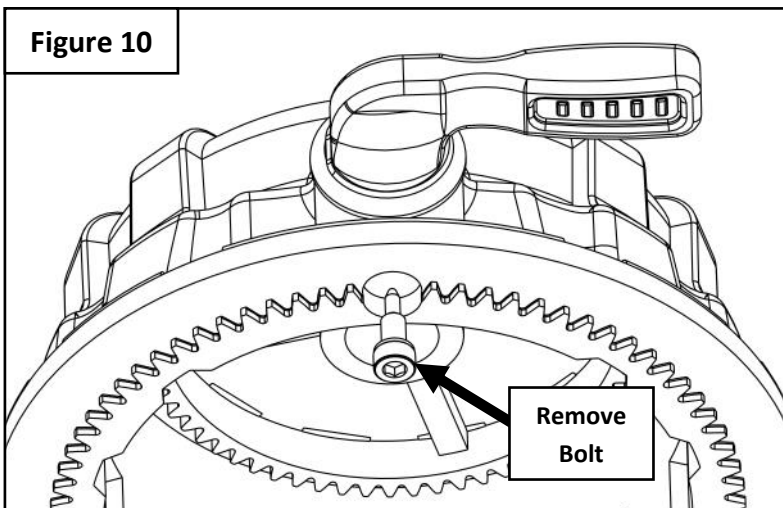
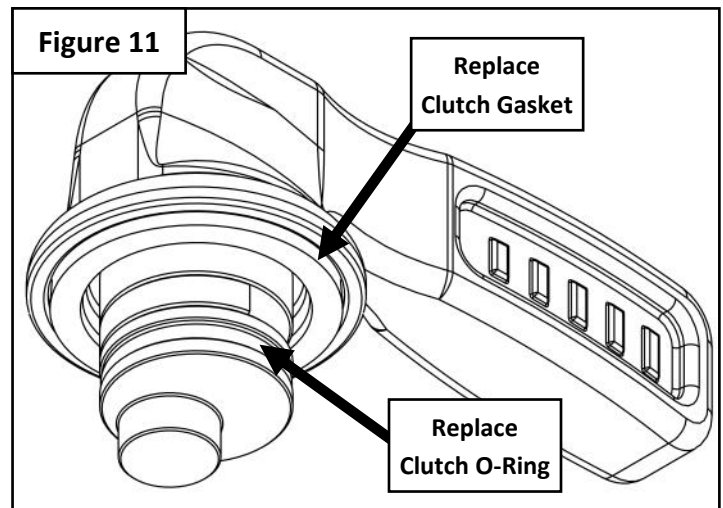
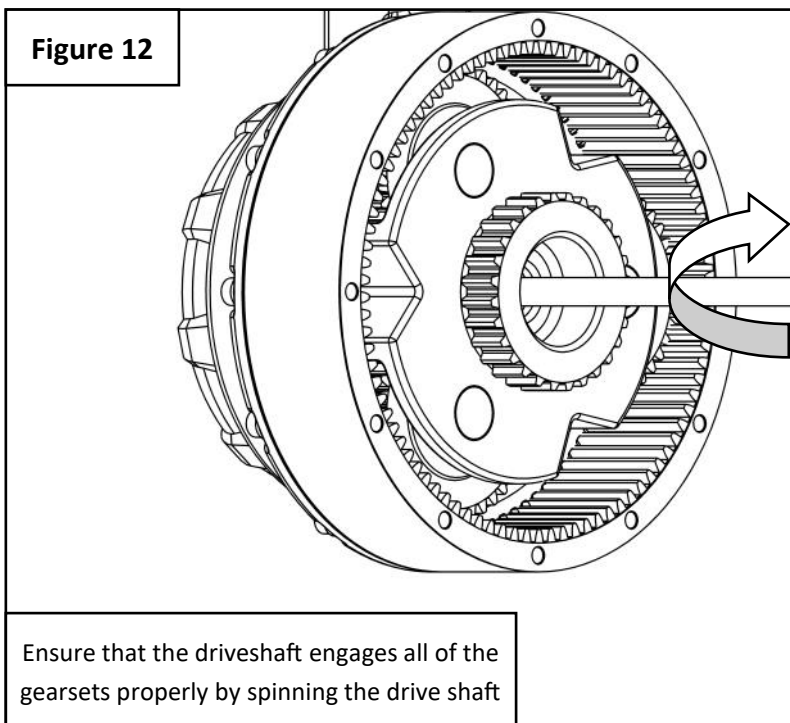


Figure 11

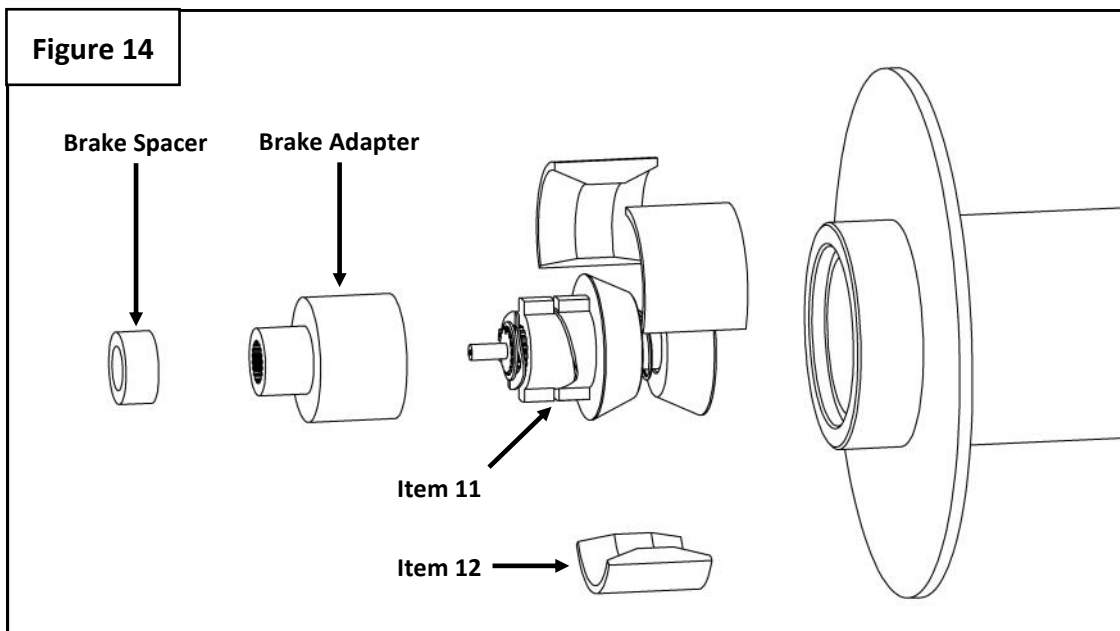
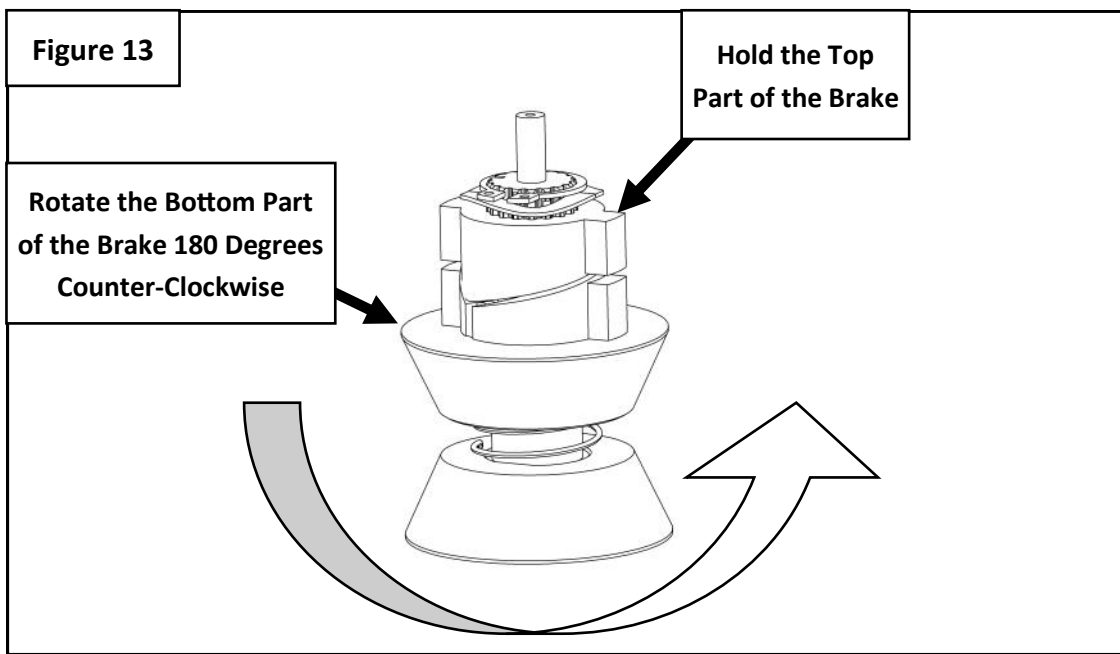


23. Install the new Gearbox Bushing (**item 9**), and Round Spacer Plate (**item 10**). See **Figure 8**.
24. Reinstall the first stage planetary gearset, second stage planetary gearset, and third stage planetary gearset.  
**NOTE:** Make sure that the planetary gearsets are seated in place.
25. Reinstall the ring gear and drive shaft.
26. Rotate the drive shaft in order to ensure that the gear assemblies are installed correctly. See **Figure 12**.

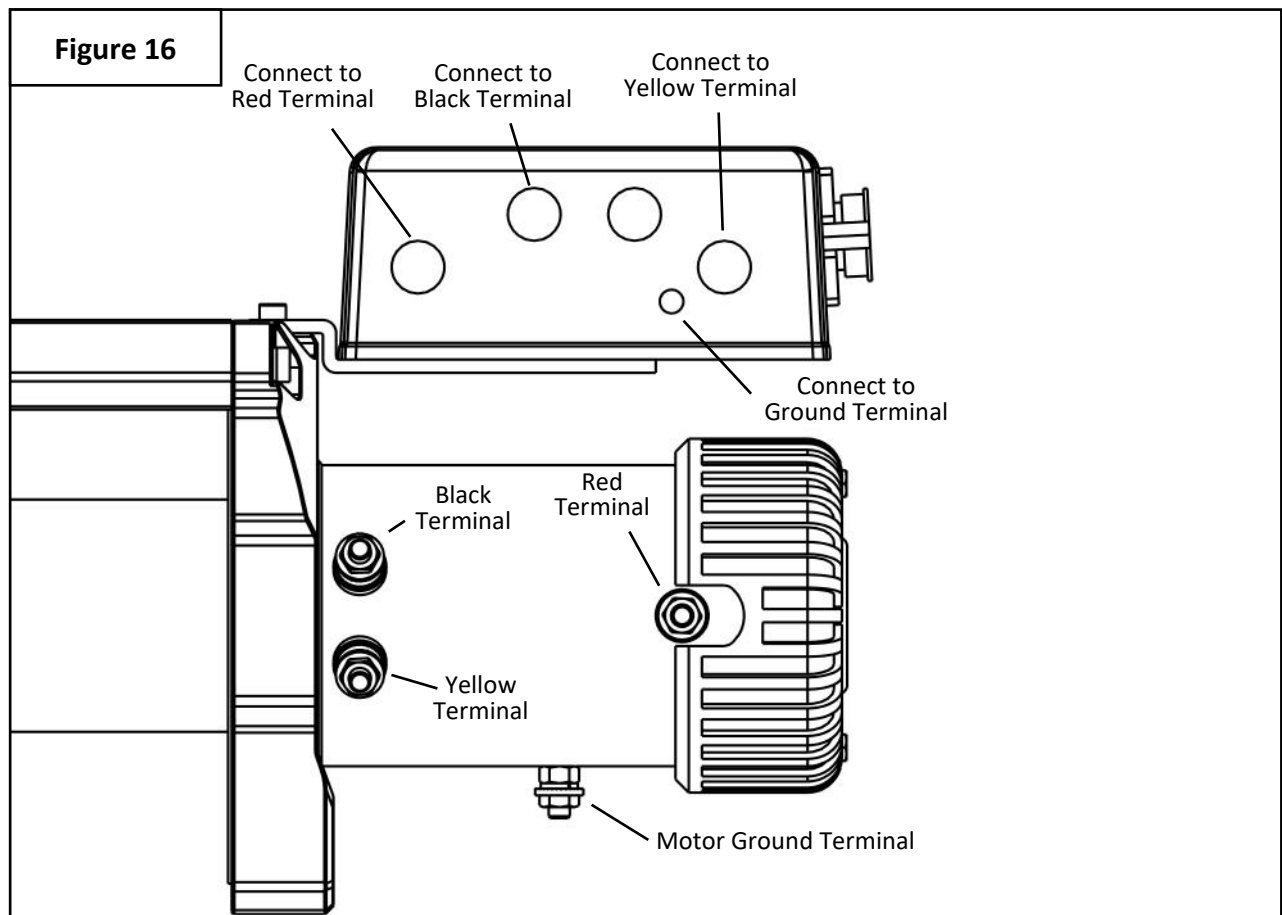
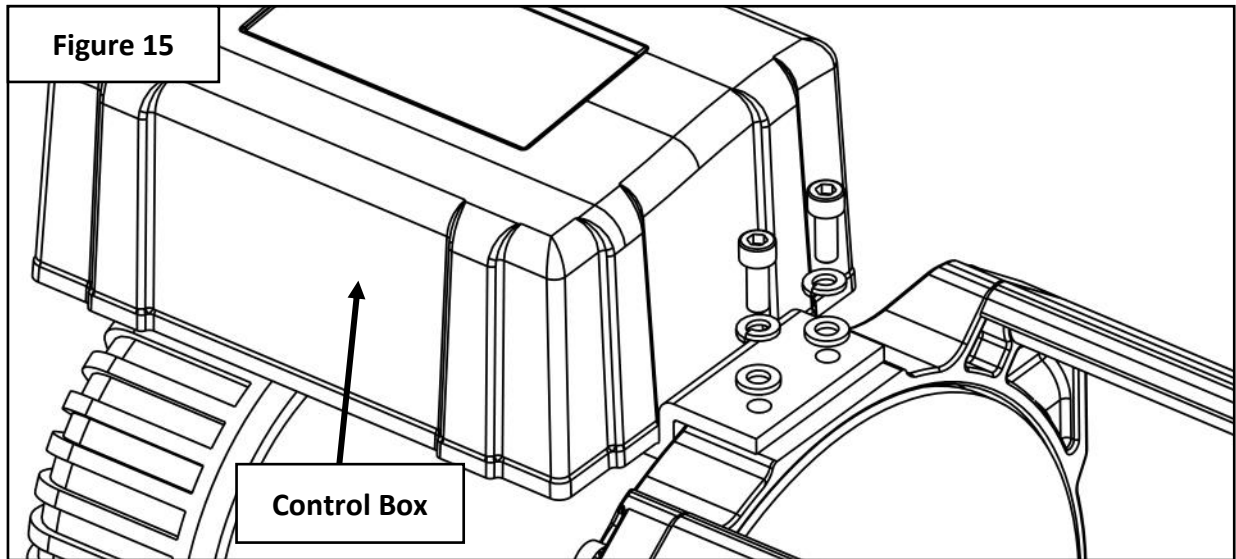




27. Reinstall the gearbox drum support .
28. Reinstall the drum and tie bars to the gearbox end of the winch. **NOTE:** Make sure to install the drum so that the spline side of the drum engages the gears.
29. Remove the old cone brake and brake pads from the drum. **NOTE:** Use the driveshaft to rotate the cone brake while removing brake.
30. Hold the top part of the replacement Cone Brake (**item 11**) while rotating the bottom part of the brake counter-clockwise 180 degrees. See **Figure 13**.
31. Place the brake adapter over the top of the cone brake while the bottom part of the cone brake is rotated.
32. Place the new brake pads (**item 12**) onto the brake.
33. Place the brake adapter, cone brake, and brake pads inside of the drum. **NOTE:** Rotate the bottom of the brake if the brake/brake pads don't fit inside the drum. Rotate the parts inside the drum until the brake slides onto the driveshaft.
34. Place the brake spacer on top of the brake adapter.



35. Reinstall the motor end of the winch.
36. Remove and replace the M8 Set Screw (**item 15**) in the drum.
37. Using the hardware removed in **Step 5**, reinstall the control box onto the winch. See **Figure 15**.
38. Connect the red, black, yellow, and ground cables to the motor. See **Figure 16**.
39. Torque the M8 serrated flange nuts on the motor to 15-18 ft-lbs. **NOTE:** Use a wrench to hold the nuts underneath the cables while tightening the nuts on top of the cables.



# WARNINGS

**Failure to follow these instructions could lead to death, personal injury, and / or property damage.**

**FASTENERS:**

**All SUPERWINCH supplied fasteners must be utilized and installed in accordance with the installation instructions and apply torque to the specifications as defined. DOUBLE CHECK ALL FASTENERS BEFORE INITIAL USE, AND PERIODICALLY IN THE FUTURE TO ENSURE PROPER FUNCTION AND SAFETY.**

**EYE PROTECTION:**

**ALWAYS WEAR SAFETY GLASSES OR GOGGLES DURING THE INSTALLATION PROCESS TO AVOID PERSONAL INJURY.**

**FOR CALIFORNIA RESIDENTS ONLY-PROP 65 WARNING:**

**Some products may contain chemicals such as DEHP, which can cause cancer, birth defects or other reproductive harm. For more info go to [www.p65warnings.ca.gov](http://www.p65warnings.ca.gov)**



For more information on this and other products,  
or to be put in contact with a Superwinch sales  
rep or distributor, call (800) 323- 2031  
or email [info@superwinch.com](mailto:info@superwinch.com)

**SUPERWINCH**  
**320 W. COVINA BLVD.**  
**SAN DIMAS, CA 91773**

© 2019 SUPERWINCH®, Superwinch®, and S Superwinch® (design) are registered trademarks of Superwinch Inc. in the United States and/or other countries.