



**S5500/S5500SR/
S7500/S7500SR
SMALL PARTS KIT**

PART NUMBER:

90-42740

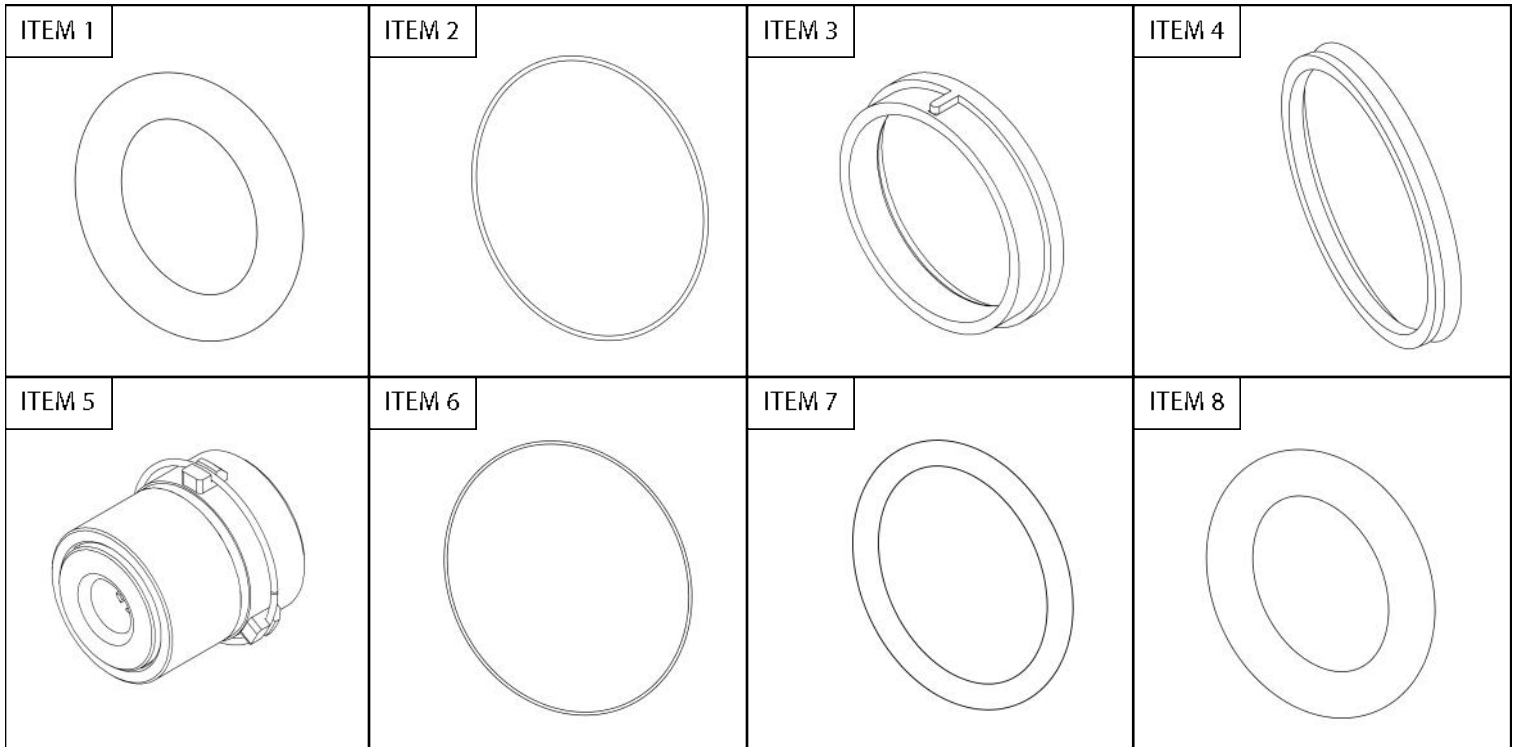


**SAVE THESE
INSTRUCTIONS**

CONTENTS

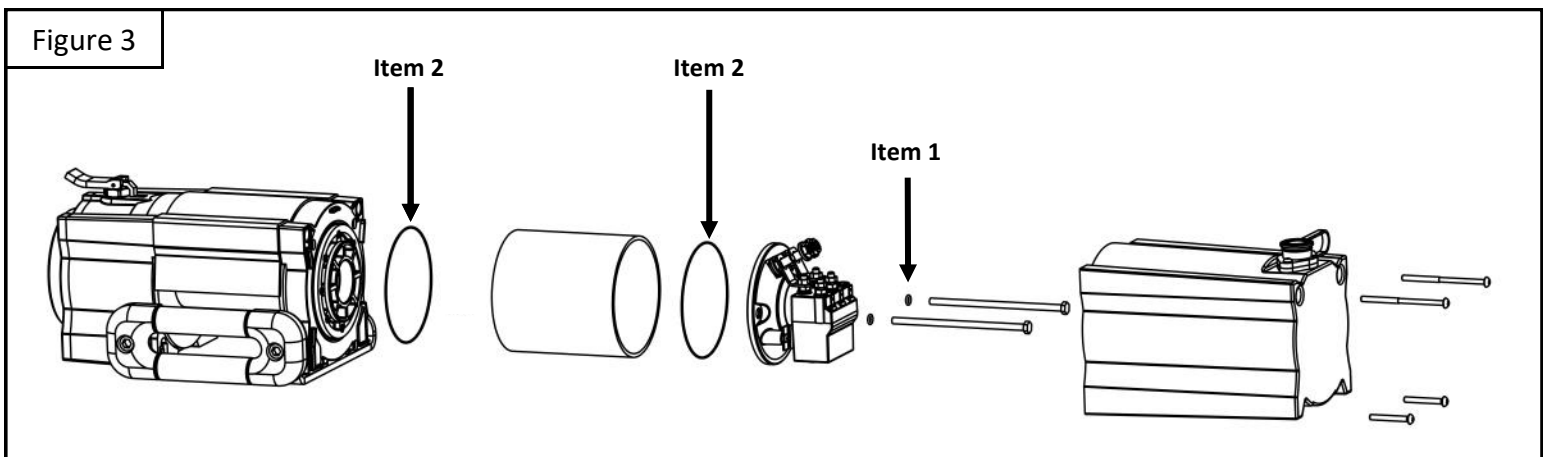
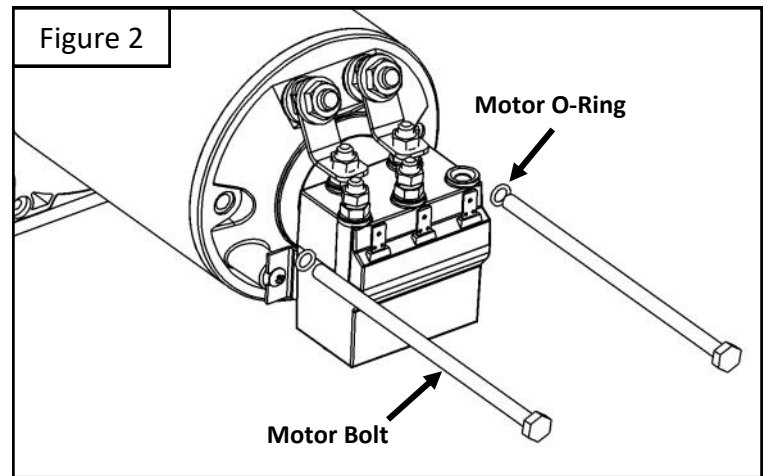
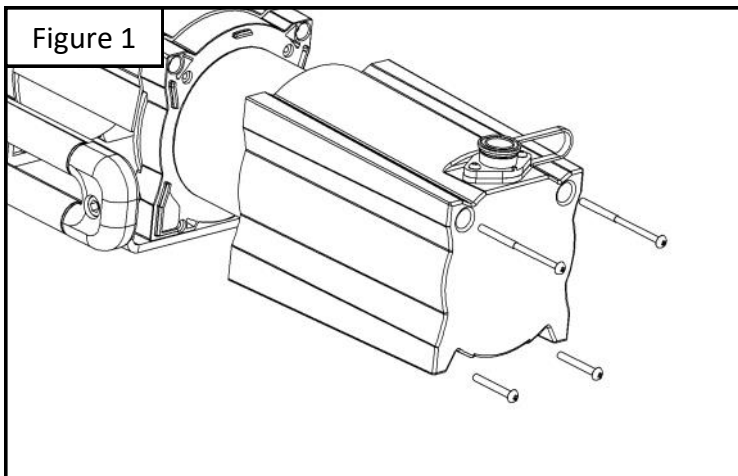
ITEM	QUANTITY	DESCRIPTION
1	2	MOTOR BOLT O-RING
2	2	MOTOR O-RING
3	2	DRUM BEARING
4	2	DRUM SEAL
5	1	BRAKE
6	1	GEARBOX COVER O-RING
7	1	CLUTCH BASE O-RING
8	1	CLUTCH PIN O-RING

ANTI-SEIZE LUBRICANT MUST BE USED ON ALL STAINLESS STEEL FASTENERS TO PREVENT THREAD DAMAGE AND GALLING



INSTALLATION INSTRUCTIONS

1. Remove contents from box, verify if all parts listed are present and free from damage. **Failure to identify damage before installation could lead to a rejection of any claim.**
2. Carefully read and understand all instructions before attempting installation. **Ensure that all mounting hardware is torqued to specifications prior to use.**
3. Disconnect the power cable and ground cable from the battery.
4. Place the winch vertically on the working surface so that the motor is above the gearbox.
5. Remove the motor housing by removing the four Phillips bolts located on the Motor side of the winch. See **Figure 1** for reference.
6. Remove the motor by removing the two bolts holding it in place. See **Figure 2** for reference.
7. Remove and replace the Motor O-Rings (**item 1**). See **Figure 2** for reference.
8. Remove and replace the Motor O-Rings (**item 2**). See **Figure 3** for reference.
9. Reinstall the motor using the bolts removed in **Step 6**. **Note:** Ensure that the Motor O-Rings are seated properly.



10. Remove the mount plate by removing the 4 flathead bolts holding it in place. See **Figure 4** for reference.
11. Place the winch vertically on the working surface so that the motor end of the winch is above the gearbox.
12. Remove the bolts holding the tie bar and plastic cover in place. See **Figure 5** for reference.
13. Remove the motor end drum support and place the motor end of the winch vertically on the working surface so that the brake is on top. See **Figures 5 and 6** for reference.
14. Remove and replace the Drum Bearing (**item 3**), and Drum Gasket (**item 4**) on the motor end of the winch. See **Figure 6** for reference. **Note:** *It is recommended that a light coat of grease is applied to the drum bearing and gasket. Make sure that both the drum bearing and gasket are seated completely in their respective locations.*
15. Remove and replace the brake (**item 5**). See **Figure 6** for reference.
16. Remove the tie bars, plastic cover, and drum from the gearbox end of the winch.
17. Remove and replace the Drum Bearing (**item 3**), and Drum Gasket (**item 4**) on the gearbox end of the winch. See **Figure 7** for reference.

Figure 4

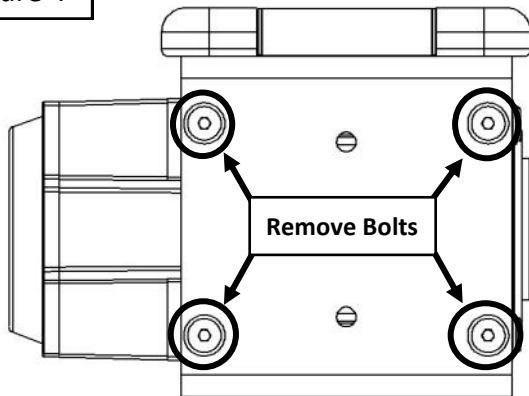


Figure 5

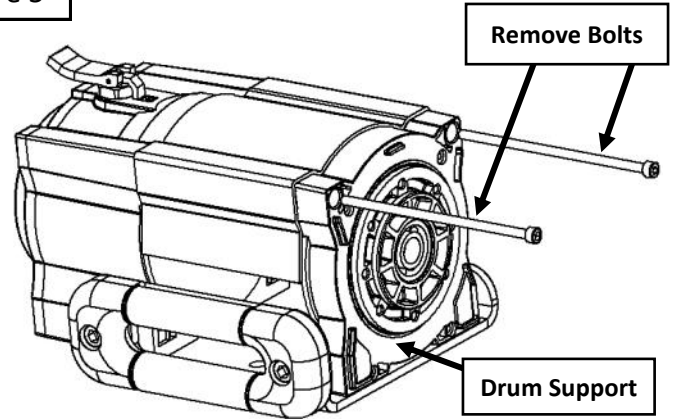


Figure 6

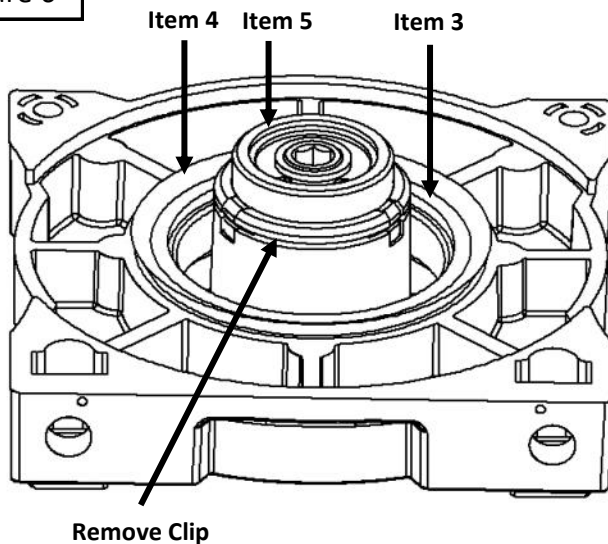
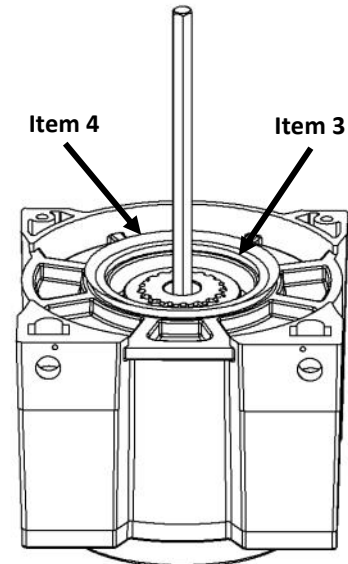


Figure 7



18. Rotate the drive shaft and ensure that it is properly seated.
19. Reassemble the winch in the reverse order in which it was taken apart.
20. Remove the gearbox cover by removing the 7 socket head bolts holding it in place. See **Figure 8** for reference.
21. Remove and replace the Gearbox Cover O-Ring (**item 6**). See **Figure 9** for reference.
22. Reinstall the gearbox cover using the hardware removed in **Step 20**.
23. Remove the clutch clip by removing the flathead bolt holding it in place. See **Figure 10** for reference.
24. Remove the clutch base from the gearbox by rotating it counter-clockwise. See **Figure 10** for reference.
25. Remove and replace the Clutch Base O-Ring (**item 7**). See **Figure 10** for reference.
26. Remove the clutch pin from the clutch base by removing the roll pin holding it in place. See **Figure 10** for reference.
27. Remove and replace the Clutch Pin O-Ring (**item 8**). See **Figure 10** for reference.
28. Reinstall the clutch components in the reverse order that they were taken apart.

Figure 8

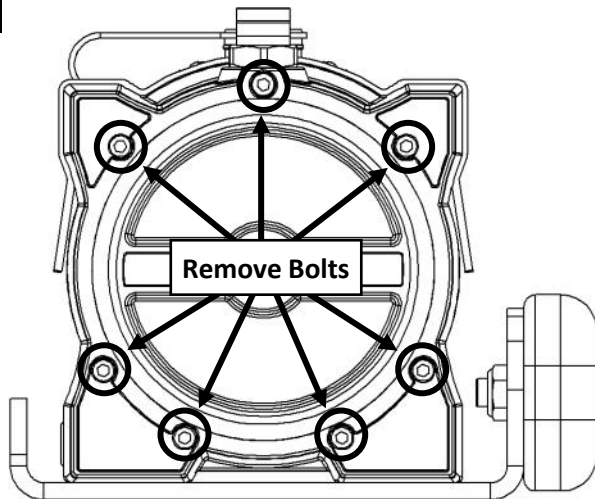


Figure 9

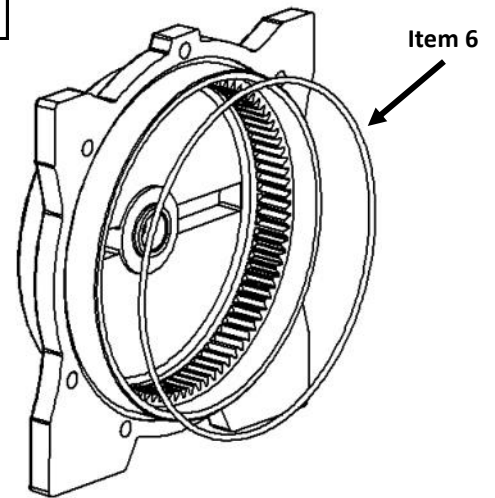
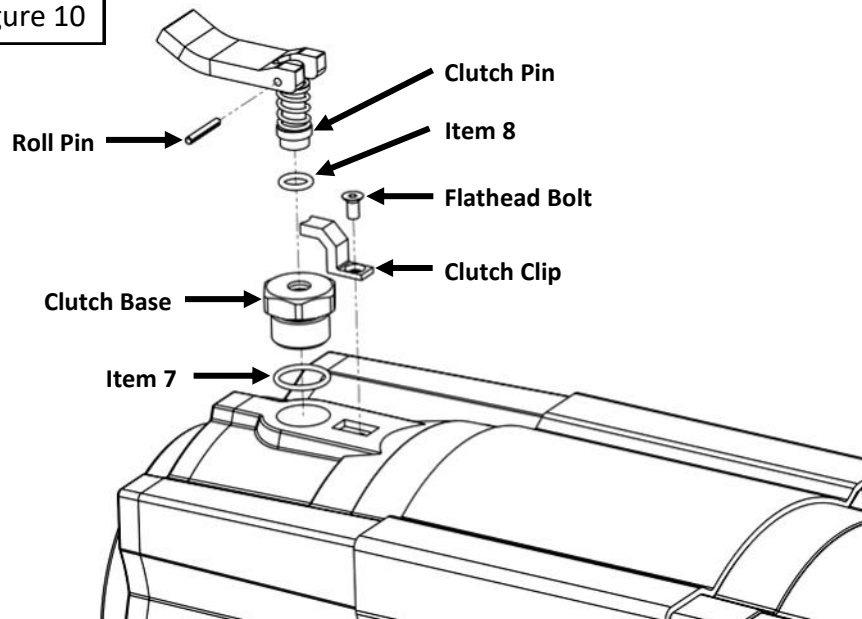


Figure 10



WARNING

Failure to follow these instructions could lead to death, personal injury, and / or property damage.

FASTENERS:

All SUPERWINCH supplied fasteners must be utilized and installed in accordance with the installation instructions and apply torque to the specifications as defined. **DOUBLE CHECK ALL FASTENERS BEFORE INITIAL USE, AND PERIODICALLY IN THE FUTURE TO ENSURE PROPER FUNCTION AND SAFETY.**

EYE PROTECTION:

ALWAYS WEAR SAFETY GLASSES OR GOGGLES DURING THE INSTALLATION PROCESS TO AVOID PERSONAL INJURY.

FOR CALIFORNIA RESIDENTS ONLY-PROP 65 WARNING:

Some products may contain chemicals such as DEHP, which can cause cancer, birth defects or other reproductive harm. For more info go to www.p65warnings.ca.gov



For more information on this and other products,
or to be put in contact with a Superwinch sales
rep or distributor, call (800) 323- 2031
or email info@superwinch.com

SUPERWINCH
320 W. COVINA BLVD.
SAN DIMAS, CA 91773

© 2019 SUPERWINCH®, Superwinch®, and S Superwinch® (design) are registered trademarks of Superwinch Inc. in the United States and/or other countries.