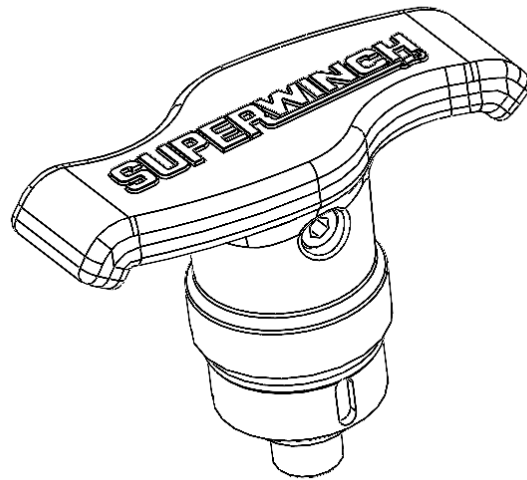




**SX10/10SR/12/12SR
REPLACEMENT
CLUTCH HANDLE**



PART NUMBER:

90-42657

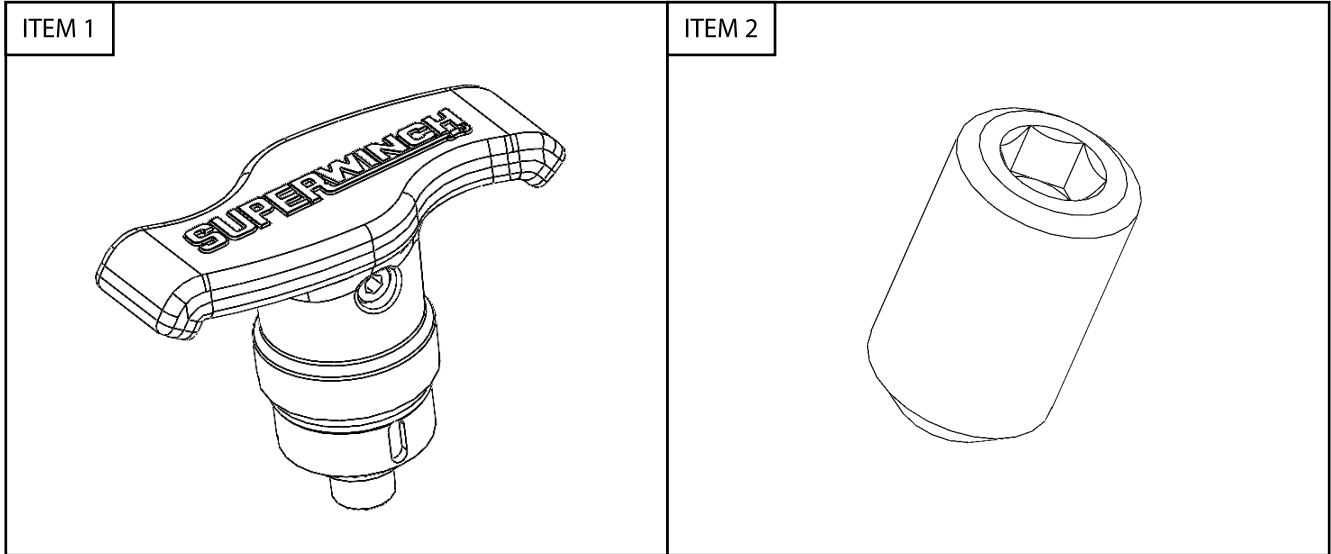


**SAVE THESE
INSTRUCTIONS**

CONTENTS

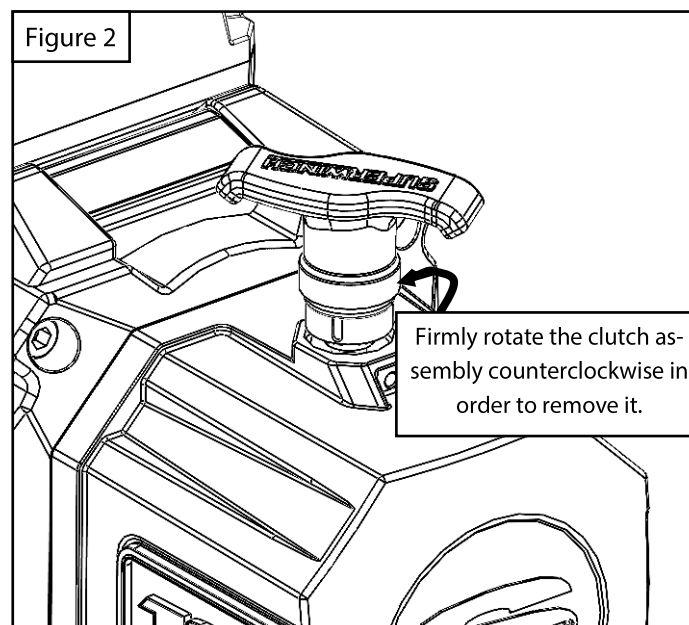
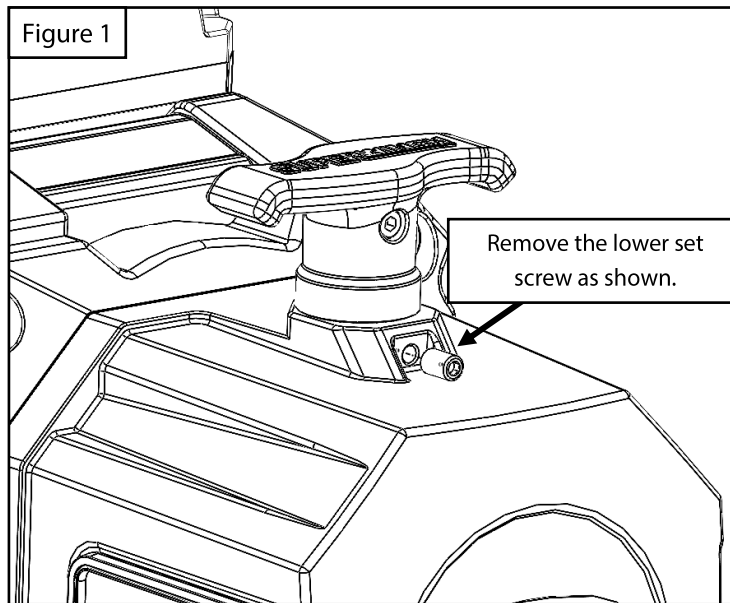
ITEM	QUANTITY	DESCRIPTION
1	1	CLUTCH HANDLE
2	1	M6 SET SCREW

ANTI-SEIZE LUBRICANT MUST BE USED ON ALL STAINLESS STEEL FASTENERS TO PREVENT THREAD DAMAGE AND GALLING

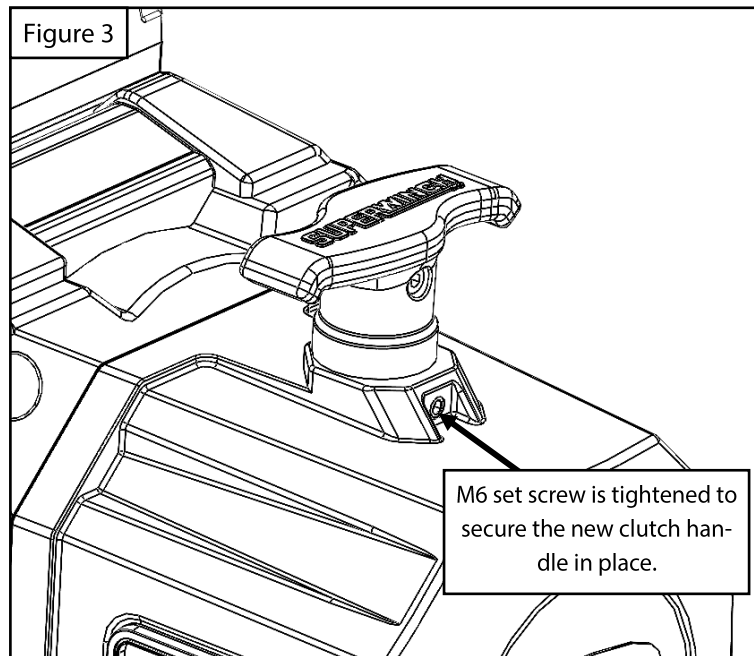


INSTALLATION INSTRUCTIONS

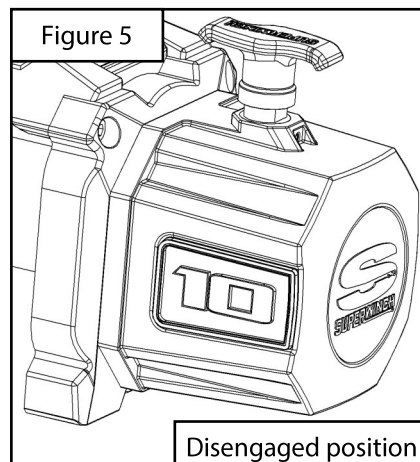
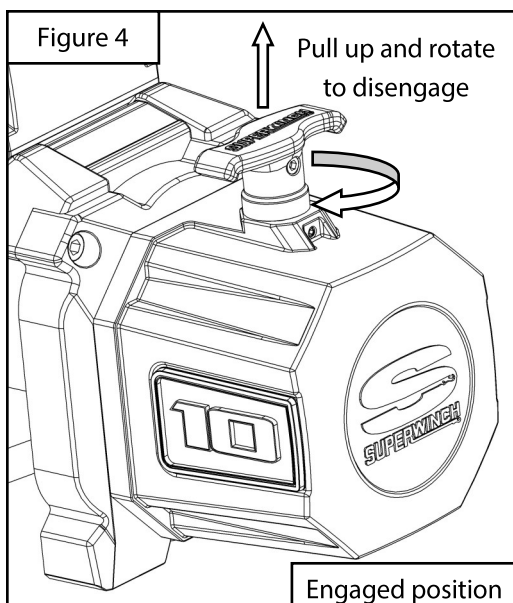
1. Remove contents from box, verify if all parts listed are present and free from damage. **Failure to identify damage before installation could lead to a rejection of any claim.**
2. Carefully read and understand all instructions before attempting installation. **Ensure that all mounting hardware is torqued to specifications prior to use.**
3. Locate and remove the lower set screw securing the original winch clutch handle. See **Figure 1**.
4. Firmly rotate the original clutch handle counterclockwise in order to remove it. See **Figure 2**.



3. Install the new clutch handle (Item 1) by carefully threading it into the mounting location. **Note:** Do not force the clutch handle to rotate into place. Make sure you do not cross thread the clutch handle.
4. Once the new clutch handle assembly is mounted properly, use the provided M6 set screw (Item 2) to secure the clutch handle in place. See **Figure 3** for reference.
5. Check to see if the clutch handle is working properly. See **Figures 4 and 5**.



To Freespool



To freespool the cable off the winch:

1. Ensure there is no tension on the clutch.
2. Pull up on the clutch handle and rotate 90 degrees. **See Figure 4.**
3. Pull up on handle and rotate 90 degrees again to engage the winch.

WARNING

Failure to follow these instructions could lead to death, personal injury, and / or property damage.

FASTENERS:

All SUPERWINCH supplied fasteners must be utilized and installed in accordance with the installation instructions and apply torque to the specifications as defined. **DOUBLE CHECK ALL FASTENERS BEFORE INITIAL USE, AND PERIODICALLY IN THE FUTURE TO ENSURE PROPER FUNCTION AND SAFETY.**

EYE PROTECTION:

ALWAYS WEAR SAFETY GLASSES OR GOGGLES DURING THE INSTALLATION PROCESS TO AVOID PERSONAL INJURY.

FOR CALIFORNIA RESIDENTS ONLY-PROP 65 WARNING:

Some products may contain chemicals such as DEHP, which can cause cancer, birth defects or other reproductive harm. For more info go to www.p65warnings.ca.gov



For more information on this and other products,
or to be put in contact with a Superwinch sales
rep or distributor, call (800) 323- 2031
or email info@superwinch.com

SUPERWINCH
320 W. COVINA BLVD.
SAN DIMAS, CA 91773

© 2019 SUPERWINCH®, Superwinch®, and S Superwinch® (design) are registered trademarks of Superwinch Inc. in the United States and/or other countries.