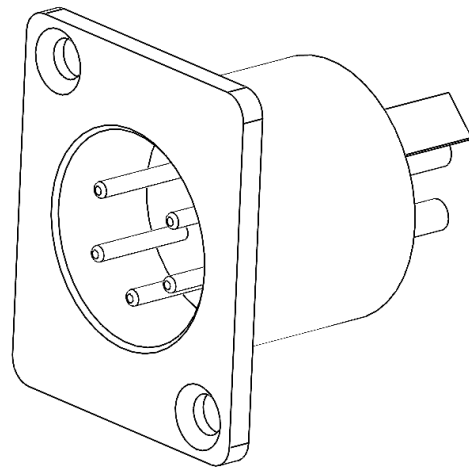




SX10/10SR/12/12SR REPLACEMENT REMOTE CONTROL SOCKET



PART NUMBER:

90-42645

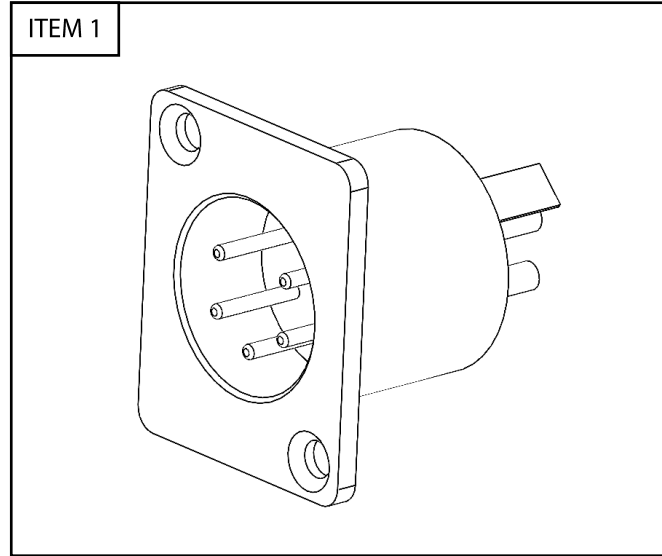


**SAVE THESE
INSTRUCTIONS**

CONTENTS

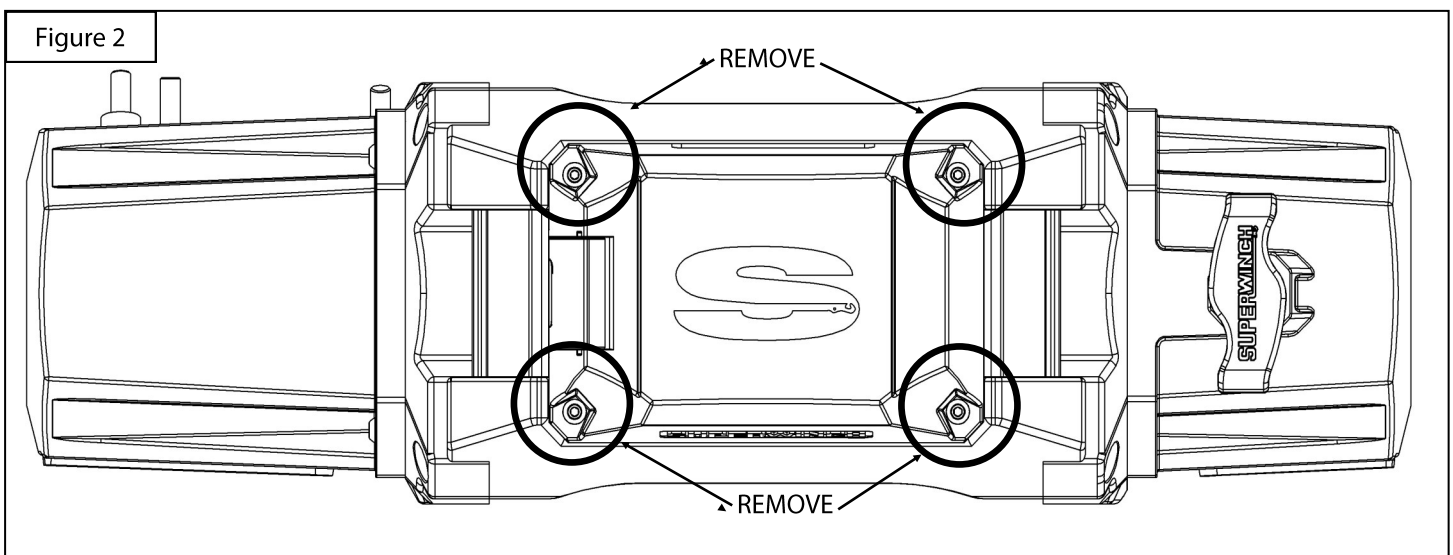
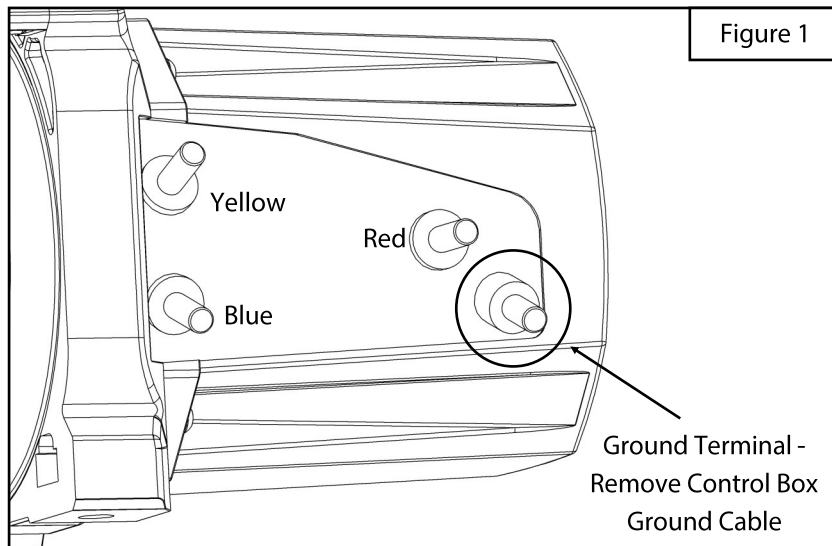
ITEM	QUANTITY	DESCRIPTION
1	1	SX REMOTE CONTROL SOCKET
2	2	M3 FLAT HEAD SCREW

ANTI-SEIZE LUBRICANT MUST BE USED ON ALL STAINLESS STEEL FASTENERS TO PREVENT THREAD DAMAGE AND GALLING

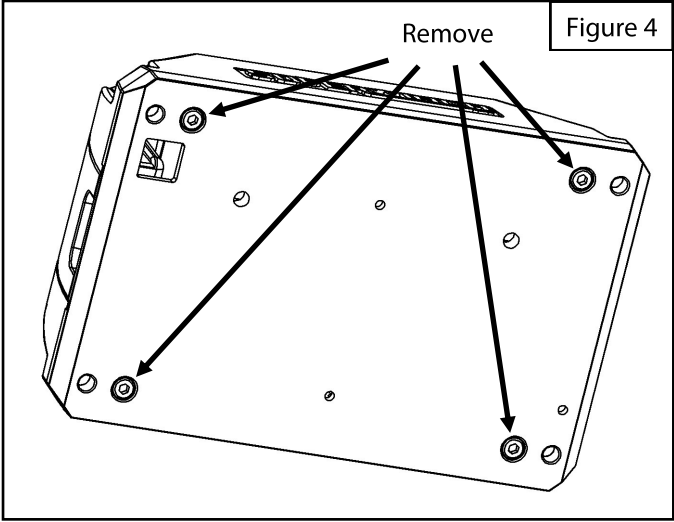
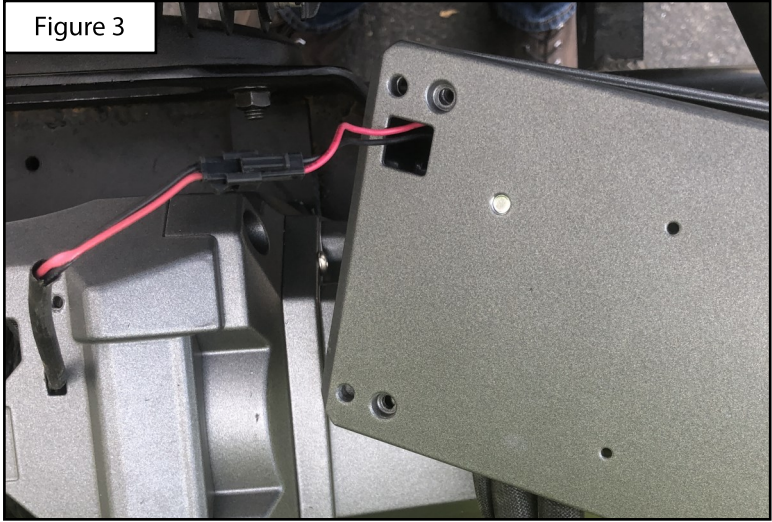


INSTALLATION INSTRUCTIONS

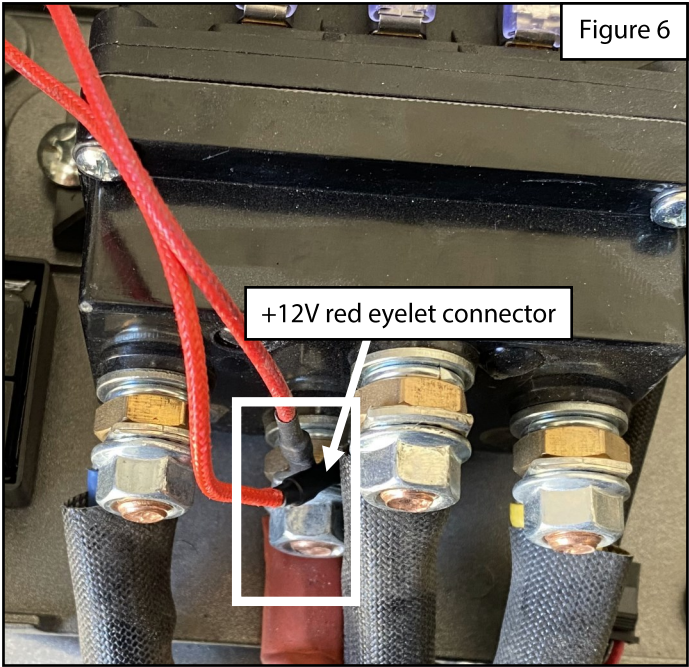
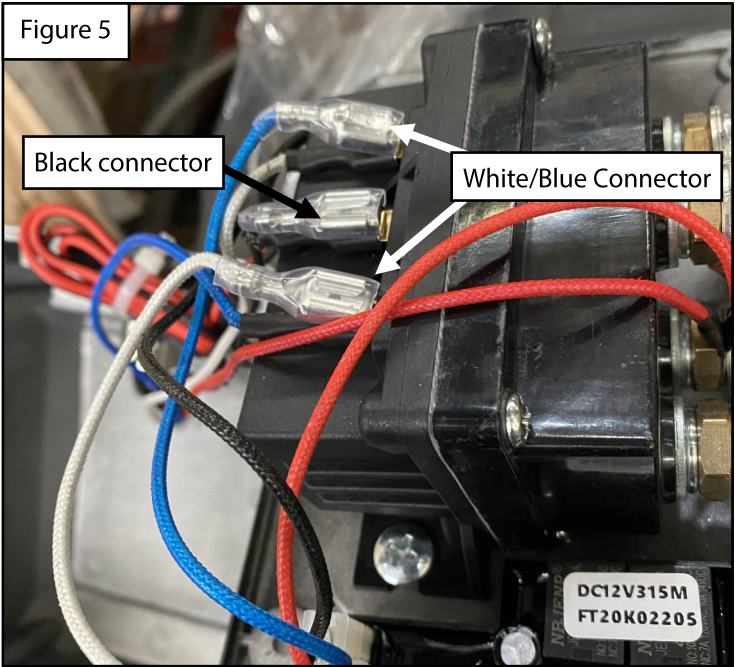
1. Remove contents from box, verify if all parts listed are present and free from damage. **Failure to identify damage before installation could lead to a rejection of any claim.**
 2. Carefully read and understand all instructions before attempting installation. **Ensure that all mounting hardware is torqued to specifications prior to use.**
-
3. Disconnect the power cable and ground cable from the battery.
 4. Remove the M8 serrated flange nut from the ground motor terminal. See **Figure 1**.
 5. Remove the control box ground cable from the motor ground terminal. Do not remove the battery ground cable from the motor. See **Figure 1**.
 6. Remove the control box by removing the 4 button head screws holding it in place. See **Figure 2**.



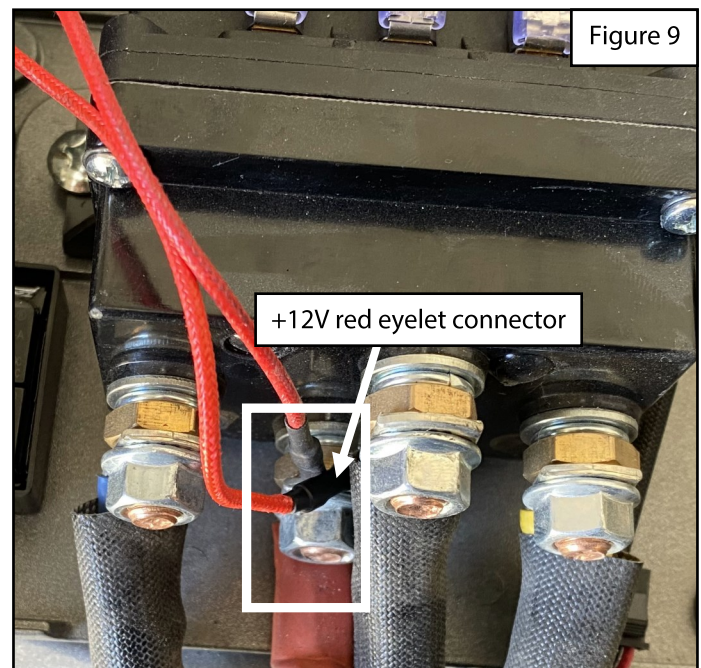
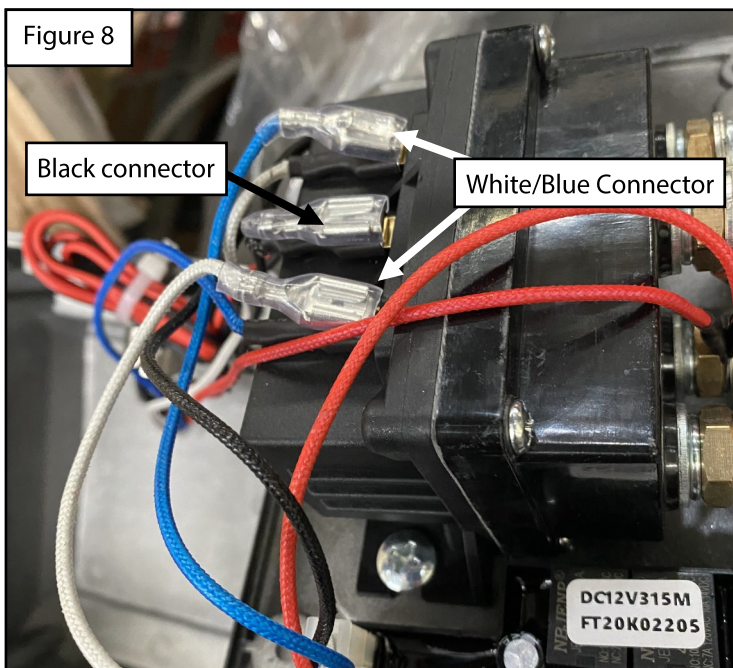
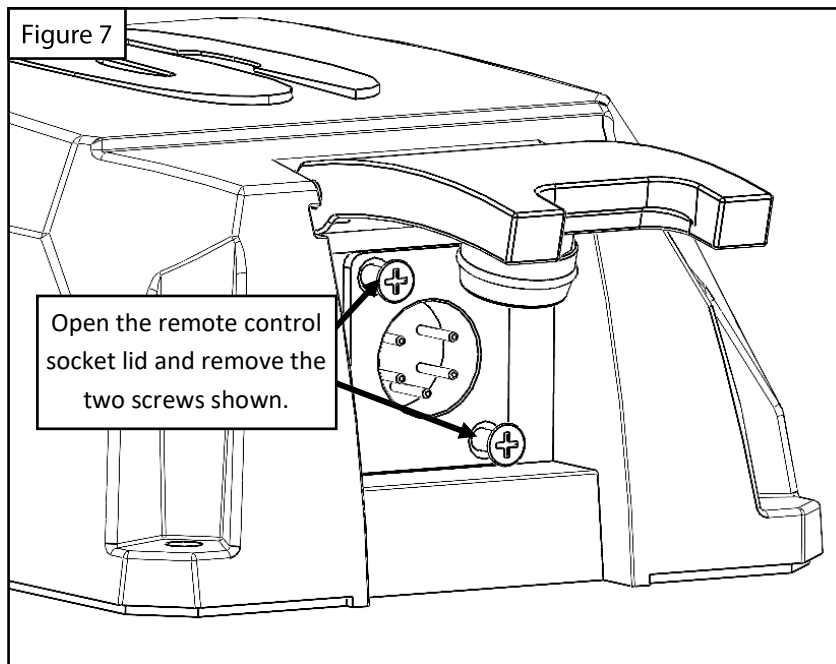
7. Disconnect the drum light wiring harness. See **Figure 3**.
8. Remove the bottom plate from the control box in order to be able to access the remote control wiring. See **Figure 4**.



9. Remove the original remote control socket spade terminals from the contactor. **Note:** If a wireless receiver is installed, remove the original remote control socket spade terminals from the wireless receiver piggyback connectors. See **Figure 5**.
10. Remove the original remote control socket +12V red eyelet connector from the contactor. See **Figure 6**.



11. Open the remote control socket lid.
12. Remove the two screws shown in **Figure 6** and remove the original remote control socket.
13. Using the provided M3 screws (Item 2), install the replacement Remote Control Socket (Item 1).
14. Connect the replacement remote control socket black wire to the contactor (center connector). **Note:** *If a wireless receiver is installed, connect the replacement remote control socket spade terminal to the wireless receiver piggyback connector.* See **Figure 8**.
15. Connect the replacement remote control socket blue and white wires to the contactor (outside connectors). **Note:** *If a wireless receiver is installed, connect the replacement remote control socket spade terminals to the wireless receiver piggyback connectors.* See **Figure 8**.
16. Connect the replacement remote control socket +12V red eyelet connector to the contactor. See **Figure 9**.



17. Connect the replacement control box ground cable (connected to the replacement remote control socket) to the motor ground terminal.
18. Fasten the control box ground cable and battery ground cable to the motor by replacing the M8 serrated flange nut removed in **step 4**.
19. Test the remote control socket wiring by reconnecting power, connecting the remote control, and clicking the remote control in either direction. If the direction of operation matches the direction indicated on the remote, disconnect the winch from the power supply. If the direction of operation does not match the direction indicated on the remote, disconnect power and swap the replacement remote control socket white and blue wires.
20. Route the drum light wiring harness through the square hole in the control box bottom plate and reconnect the drum light wiring harness.
21. Route the control box ground cable through the back of the control box and fasten the control box bottom plate to the control box lid using the hardware removed in **step 8**.
22. Reinstall the control box using the hardware removed in **step 6**.
23. Connect the power cable and ground cable to the battery.

WARNING

Failure to follow these instructions could lead to death, personal injury, and / or property damage.

FASTENERS:

All SUPERWINCH supplied fasteners must be utilized and installed in accordance with the installation instructions and apply torque to the specifications as defined. **DOUBLE CHECK ALL FASTENERS BEFORE INITIAL USE, AND PERIODICALLY IN THE FUTURE TO ENSURE PROPER FUNCTION AND SAFETY.**

EYE PROTECTION:

ALWAYS WEAR SAFETY GLASSES OR GOGGLES DURING THE INSTALLATION PROCESS TO AVOID PERSONAL INJURY.

FOR CALIFORNIA RESIDENTS ONLY-PROP 65 WARNING:

Some products may contain chemicals such as DEHP, which can cause cancer, birth defects or other reproductive harm. For more info go to www.p65warnings.ca.gov



For more information on this and other products,
or to be put in contact with a Superwinch sales
rep or distributor, call (800) 323- 2031
or email info@superwinch.com

SUPERWINCH
320 W. COVINA BLVD.
SAN DIMAS, CA 91773

© 2019 SUPERWINCH®, Superwinch®, and S Superwinch® (design) are registered trademarks of Superwinch Inc. in the United States and/or other countries.