



**TIGER SHARK
9500/9500SR/11500/11500SR
SMALL PARTS KIT**

PART NUMBER:

90-41438

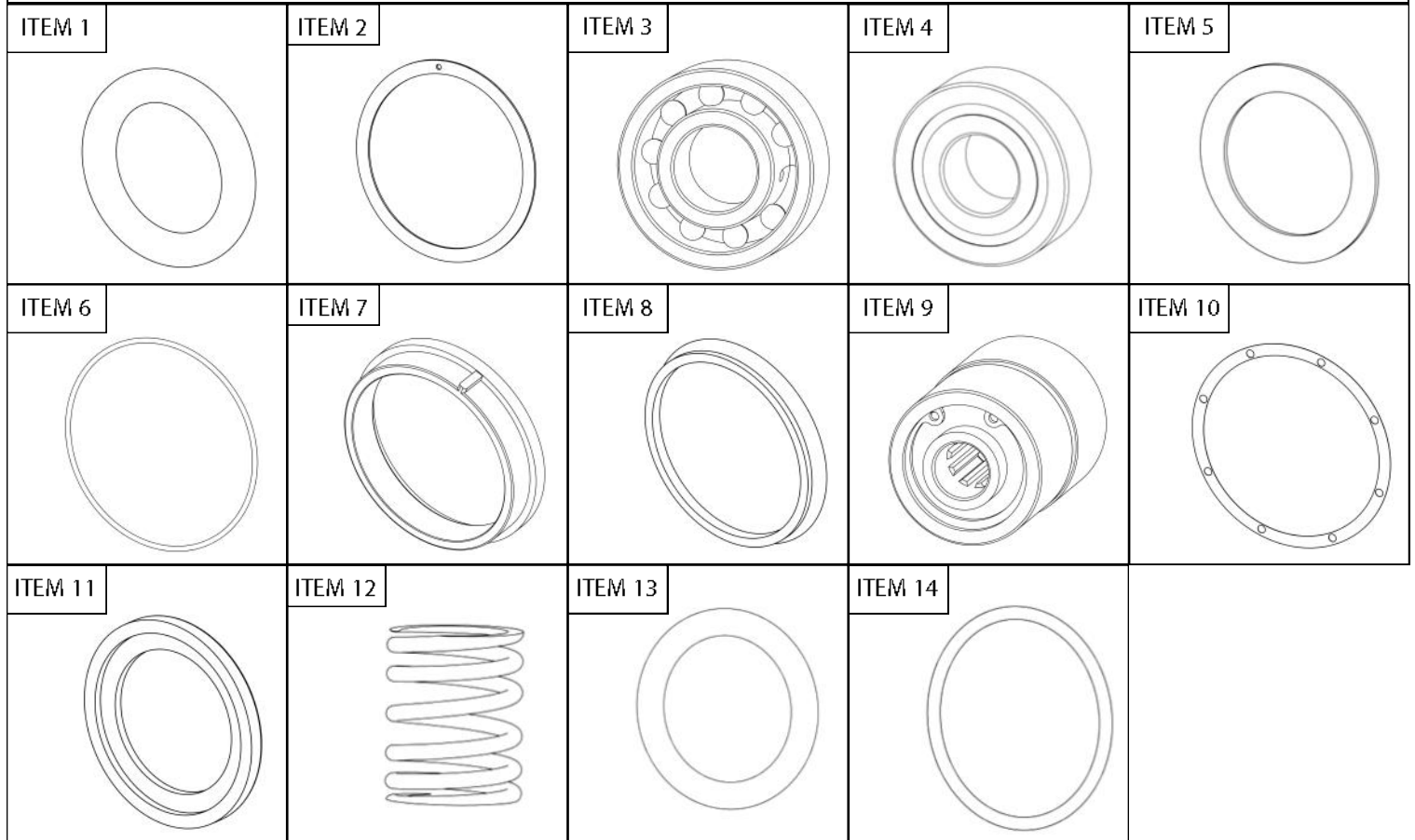


**SAVE THESE
INSTRUCTIONS**

CONTENTS

ITEM	QUANTITY	DESCRIPTION
1	2	MOTOR BOLT O-RING
2	1	MOTOR GASKET
3	1	LARGE BALL BEARING
4	1	SMALL BALL BEARING
5	1	BEARING SPACER PLATE
6	1	MOTOR O-RING
7	2	DRUM BEARING
8	2	DRUM GASKET
9	1	BRAKE
10	2	GEARBOX GASKET
11	1	GEARBOX BUSHING
12	1	CLUTCH SPRING
13	1	SMALL CLUTCH O-RING
14	1	LARGE CLUTCH O-RING

ANTI-SEIZE LUBRICANT MUST BE USED ON ALL STAINLESS STEEL FASTENERS TO PREVENT THREAD DAMAGE AND GALLING

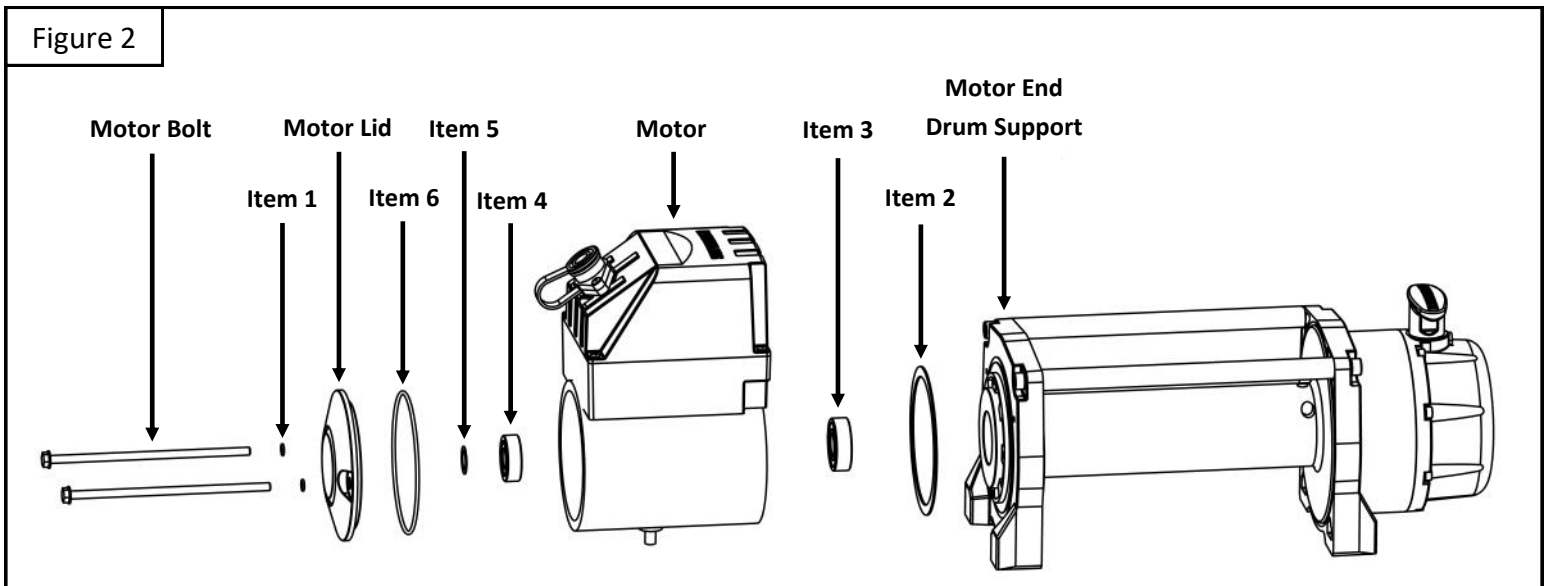
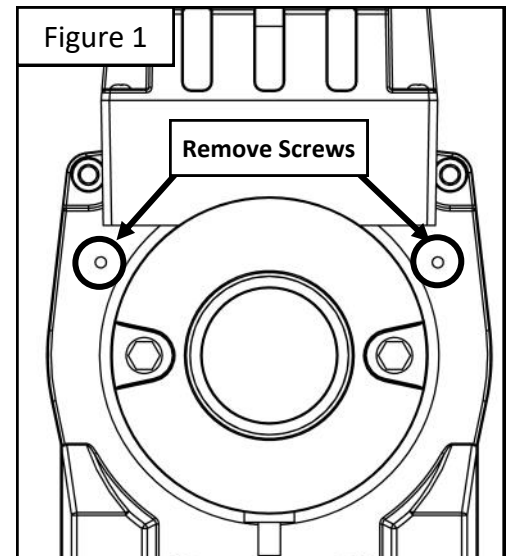


INSTALLATION INSTRUCTIONS

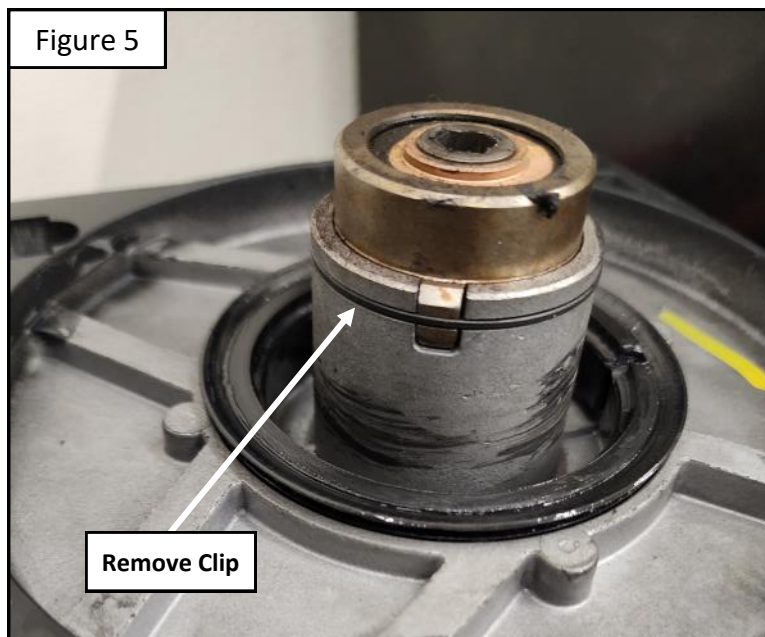
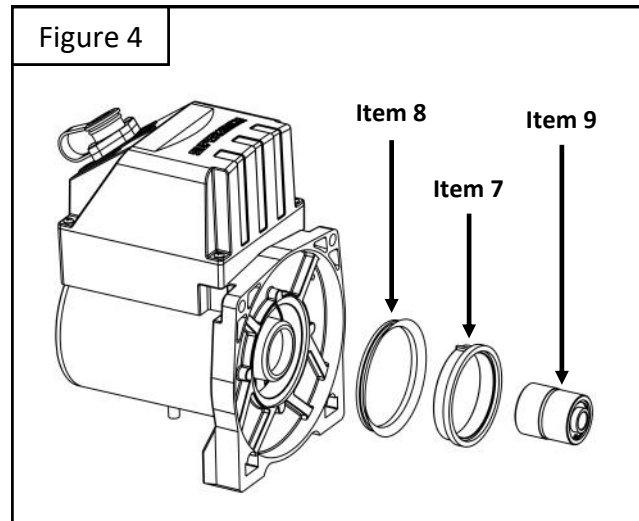
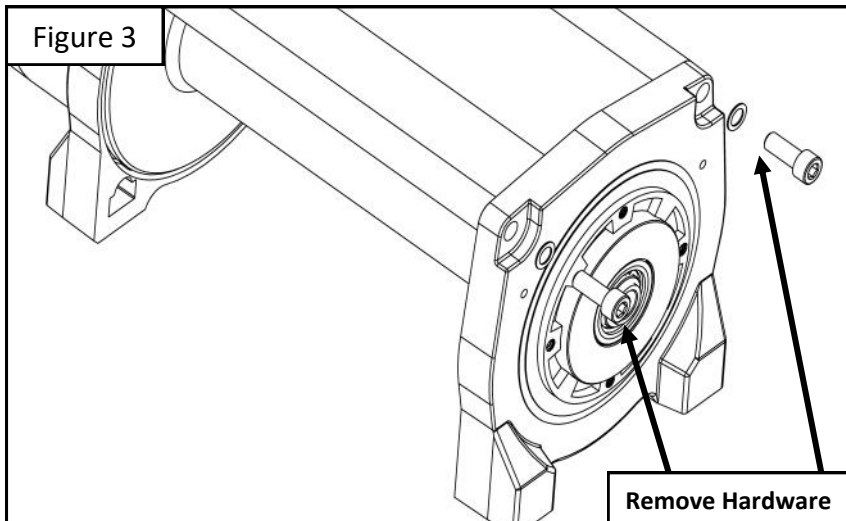
1. Remove contents from box, verify if all parts listed are present and free from damage. **Failure to identify damage before installation could lead to a rejection of any claim.**
2. Carefully read and understand all instructions before attempting installation. **Ensure that all mounting hardware is torqued to specifications prior to use.**

3. Disconnect the power cable and ground cable from the battery.
4. Place the winch vertically on the working surface so that the motor end of the winch is above the gearbox.
5. Remove the two screws located on the motor end drum support. See **Figure 1** for reference.
6. Remove the motor from the drum support by removing the two motor bolts holding it in place. See **Figure 2** for reference.

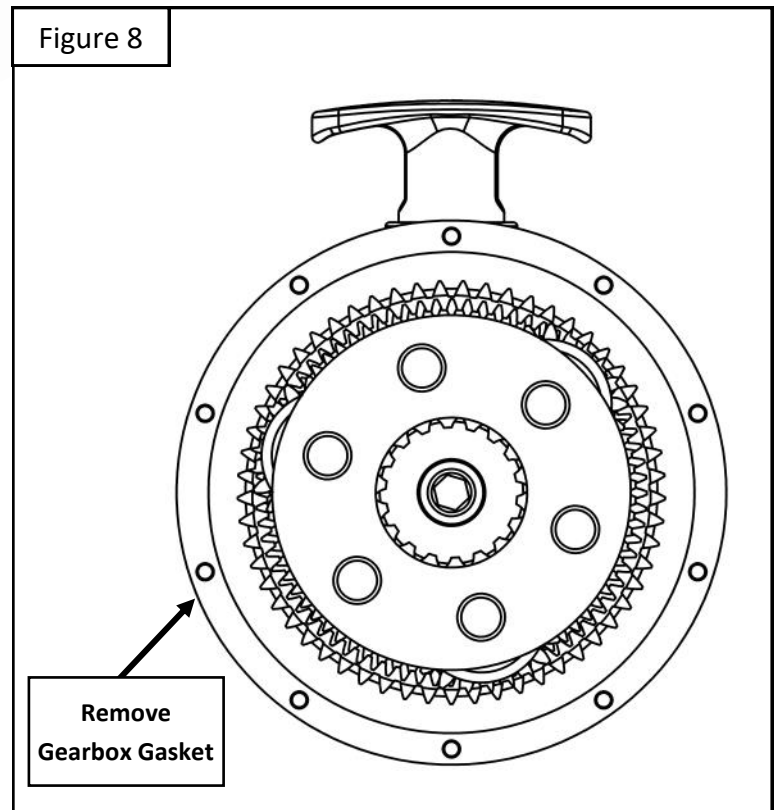
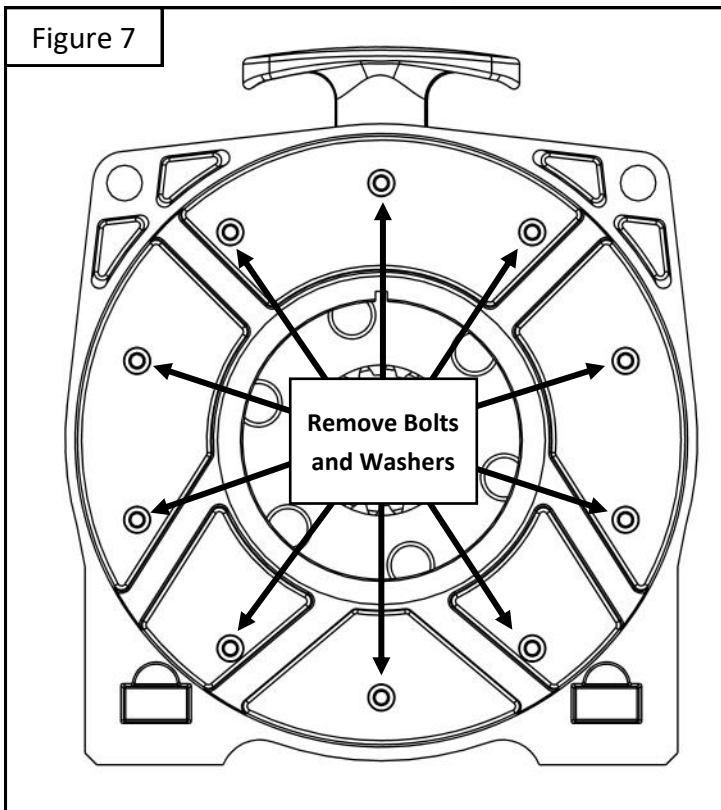
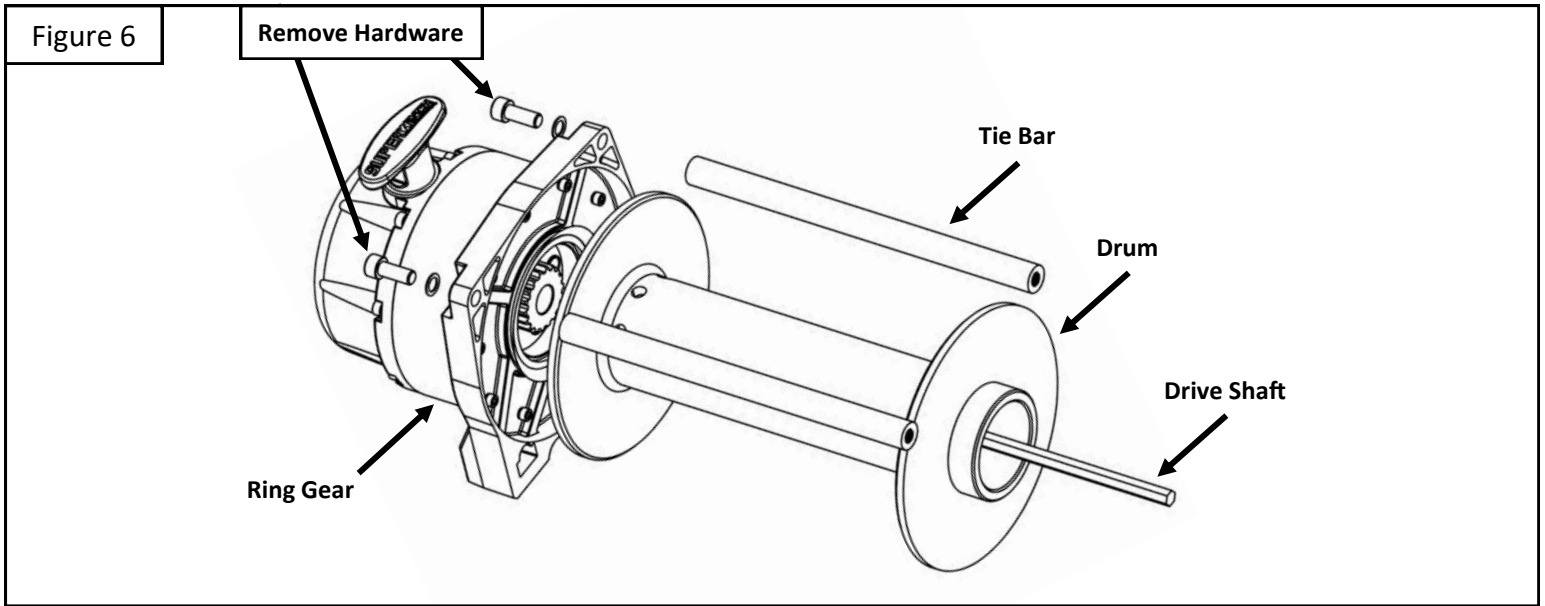
7. Remove and replace the Motor Bolt O-Rings (**item 1**). See **Figure 2** for reference.
8. Remove and replace the Motor Gasket (**item 2**) and Large Ball Bearing (**item 3**). See **Figure 2** for reference.
9. Reinstall the motor. **Note:** *The motor brushes must be pushed away from the center to allow the motor to slide into place. Use a flathead screwdriver to adjust the position of the brushes.*
10. Remove and replace the Small Ball Bearing (**item 4**), Bearing Spacer Plate (**item 5**), and Motor O-Ring (**item 6**). See **Figure 2** for reference.
11. Reinstall the motor lid and motor bolts.



12. Remove the motor end of the winch by removing two socket head bolts holding it in place. See **Figure 3** for reference.
13. Place the motor end of the winch on the working surface so that the brake is on top.
14. Remove and replace the Drum Bearing (**item 7**), and Drum Gasket (**item 8**). See **Figure 4** for reference. **Note:** It is recommended that a light coat of grease is applied to the drum bearing and gasket. Make sure that both the drum bearing and gasket are seated completely in their respective locations.
15. Remove the original brake by removing the clip holding it in place. See **Figure 5** for reference.
16. Install the replacement Brake (**item 9**) using the clip removed in the previous step.



17. Remove the drum, driveshaft and tie bars from the gearbox end of the winch.
18. Remove and replace the Drum Bearing (**item 7**) and Drum Gasket (**item 8**) on the gearbox end of the winch.
19. Remove the gearbox drum support from the ring gear by removing the 10 socket head bolts holding it in place. See **Figure 7** for reference.
20. Remove the original Gearbox Gasket from the ring gear. See **Figure 8** for reference.



21. Remove the third stage planetary gearset, original Gearbox Bushing, second stage planetary gearset, and first stage planetary gearset. See **Figure 9** for reference.
22. Remove gearbox by removing 8 the bolts on the gearbox side. See **Figure 12** for reference.
23. Replace the second Gearbox Gasket (**item 10**). See **Figure 13** for reference.

Figure 9

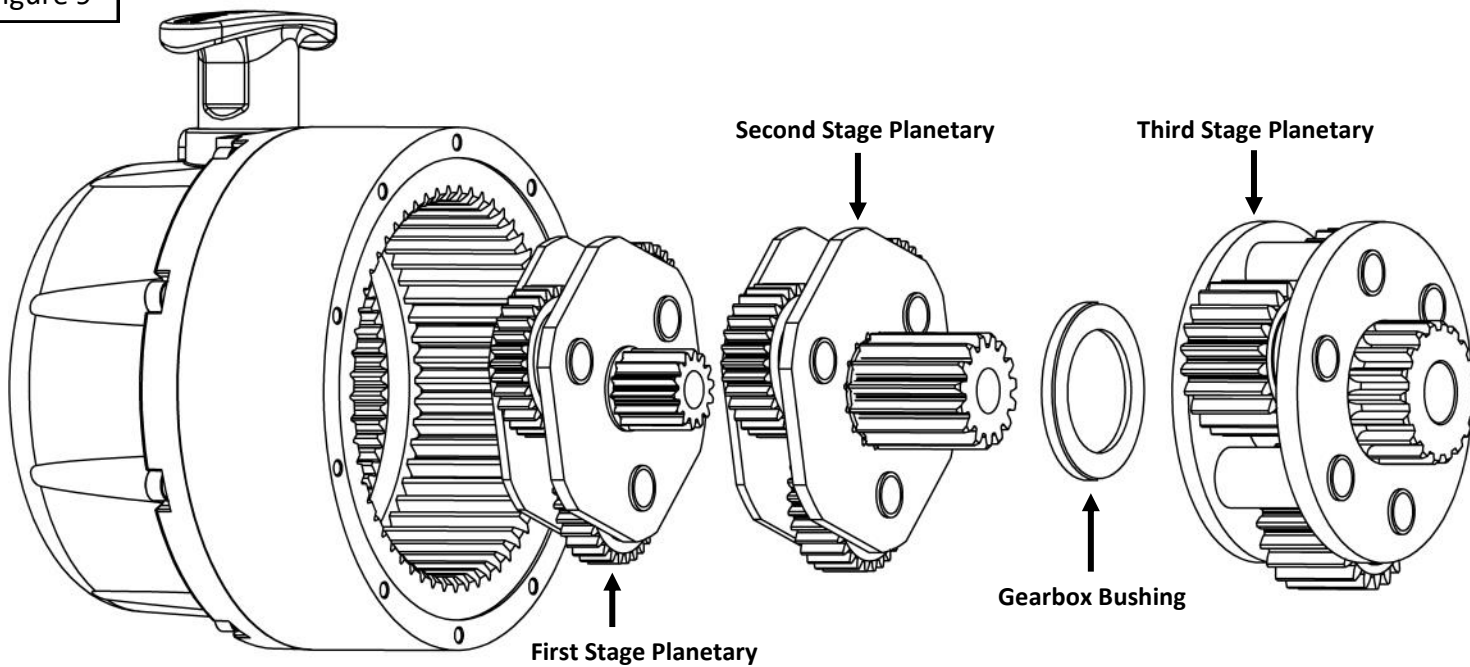


Figure 10

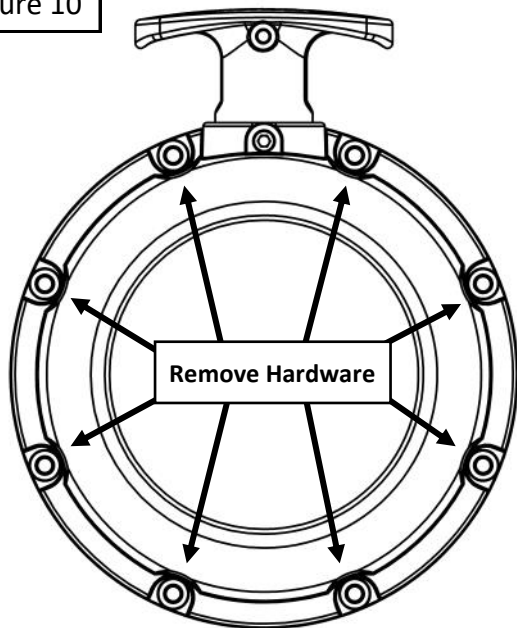
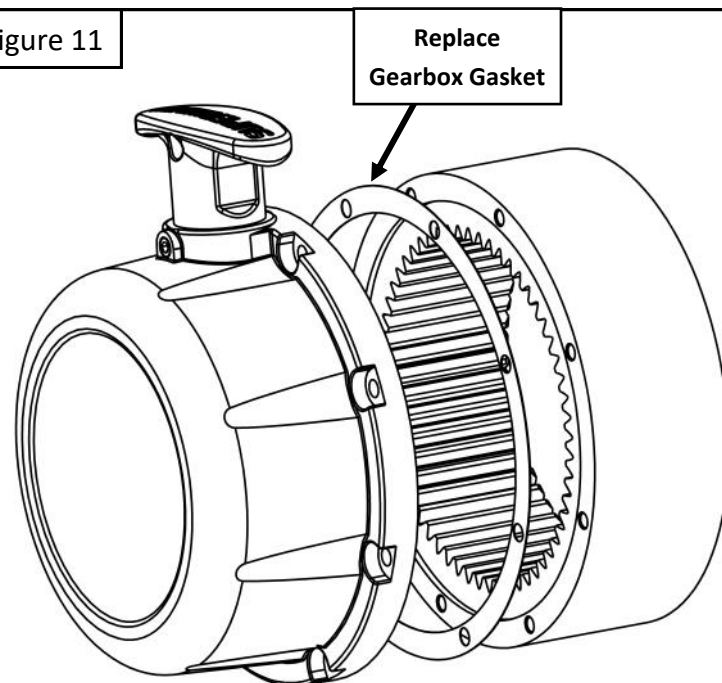
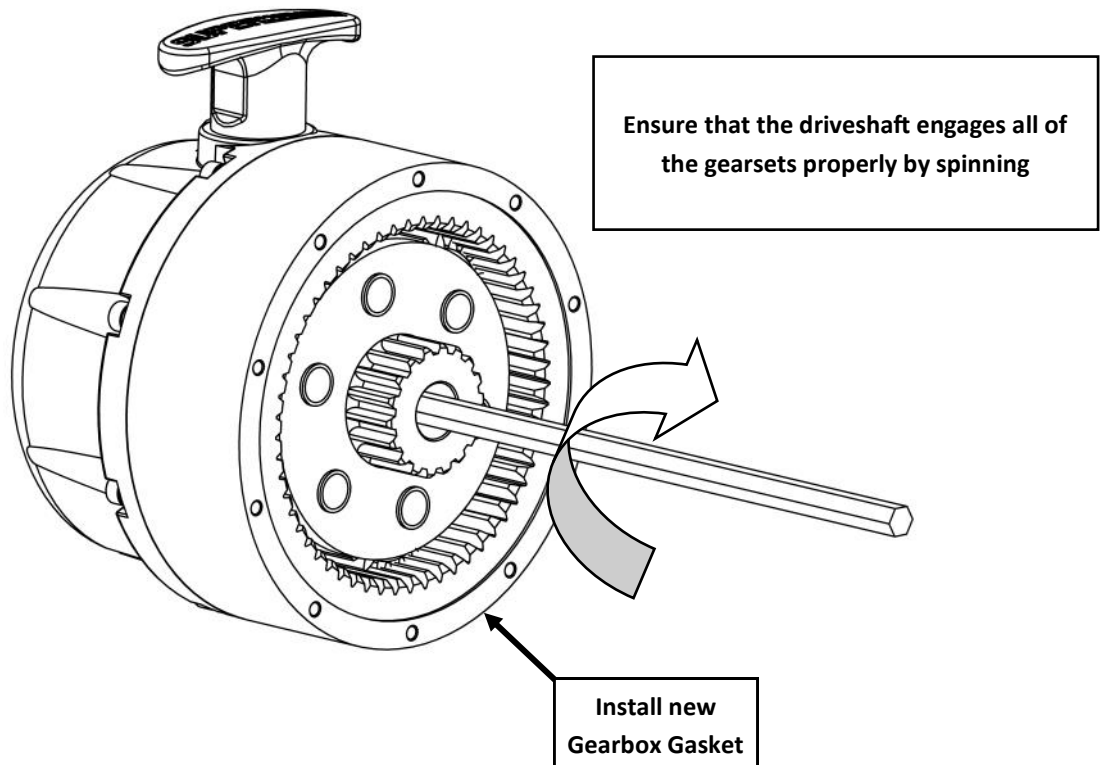


Figure 11



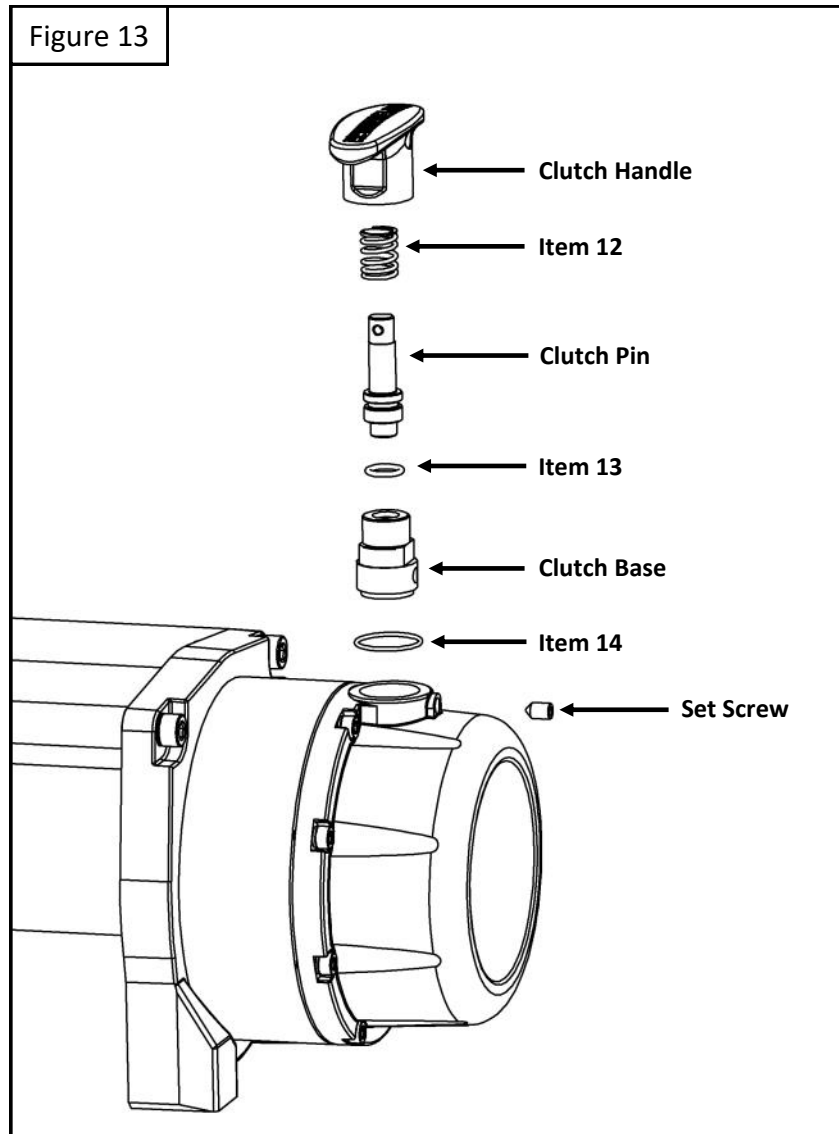
24. Reinstall the gearbox using the bolts removed in **Step 22**.
25. Reinstall the first stage planetary gearset and second stage planetary gearset. **Note:** *Make sure that the first and second stage gearset are seated in place.*
26. Install the new Gearbox Bushing (**item 11**). The flat side of the bushing should be pointing towards the drum. See **Figure 9** for reference.
27. Reinstall the third stage planetary gearset and driveshaft.
28. Rotate the driveshaft to ensure that the gear assemblies are installed correctly. See **Figure 12** for reference.
29. Install the new Gearbox Gasket (**item 10**). See **Figure 14** for reference.

Figure 12



30. Reinstall the gearbox drum support.
31. Reinstall the drum, tie bars, and motor end. **Note:** *Make sure to install the drum with the spline side to the gearbox.*

32. Remove the clutch assembly from the gearbox by removing the set screw holding it in place and rotating it counter-clockwise.
33. Remove the clutch pin from the handle by removing the screw in the handle.
34. Remove and replace the Clutch Spring (**item 12**), Small Clutch O-ring (**item 13**), and Large Clutch O-ring (**item 14**).
35. Reinstall the clutch assembly using the hardware removed in **Steps 32 and 33**.



Failure to follow these instructions could lead to death, personal injury, and / or property damage.

FASTENERS:

All SUPERWINCH supplied fasteners must be utilized and installed in accordance with the installation instructions and apply torque to the specifications as defined. DOUBLE CHECK ALL FASTENERS BEFORE INITIAL USE, AND PERIODICALLY IN THE FUTURE TO ENSURE PROPER FUNCTION AND SAFETY.

EYE PROTECTION:

ALWAYS WEAR SAFETY GLASSES OR GOGGLES DURING THE INSTALLATION PROCESS TO AVOID PERSONAL INJURY.

FOR CALIFORNIA RESIDENTS ONLY-PROP 65 WARNING:

Some products may contain chemicals such as DEHP, which can cause cancer, birth defects or other reproductive harm. For more info go to www.p65warnings.ca.gov



For more information on this and other products,
or to be put in contact with a Superwinch sales
rep or distributor, call (800) 323- 2031
or email info@superwinch.com

SUPERWINCH
320 W. COVINA BLVD.
SAN DIMAS, CA 91773

© 2019 SUPERWINCH®, Superwinch®, and S Superwinch® (design) are registered trademarks of Superwinch Inc. in the United States and/or other countries.