

INSTALLATION INSTRUCTIONS

SPARE TIRE DELETE PLATE



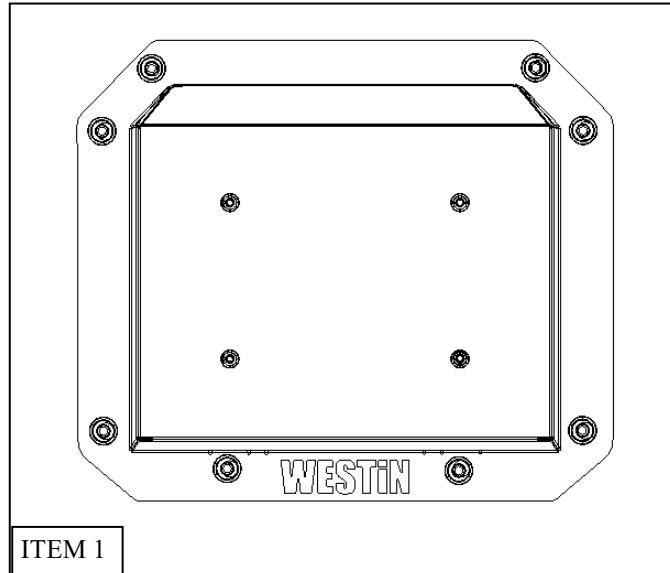
APPLICATION:
Ford Bronco 2022-2024 (Excl. Bronco Sport)

PART NUMBER:
59-89055

CONTENT

ITEM	QUANTITY	DESCRIPTION	TOOLS NEEDED
1	1	SPARE TIRE DELETE PLATE	6MM ALLEN KEY
2	8	M10 BUTTON HEAD HEX DRIVE SCREW	4MM ALLEN KEY
3	8	M10 SERRATED FLANGE NUTS	16MM SOCKET
4	4	M6 BUTTON HEAD HEX DRIVE SCREW	10MM SOCKET
5	4	M6 SERRATED FLANGE NUTS	RATCHET

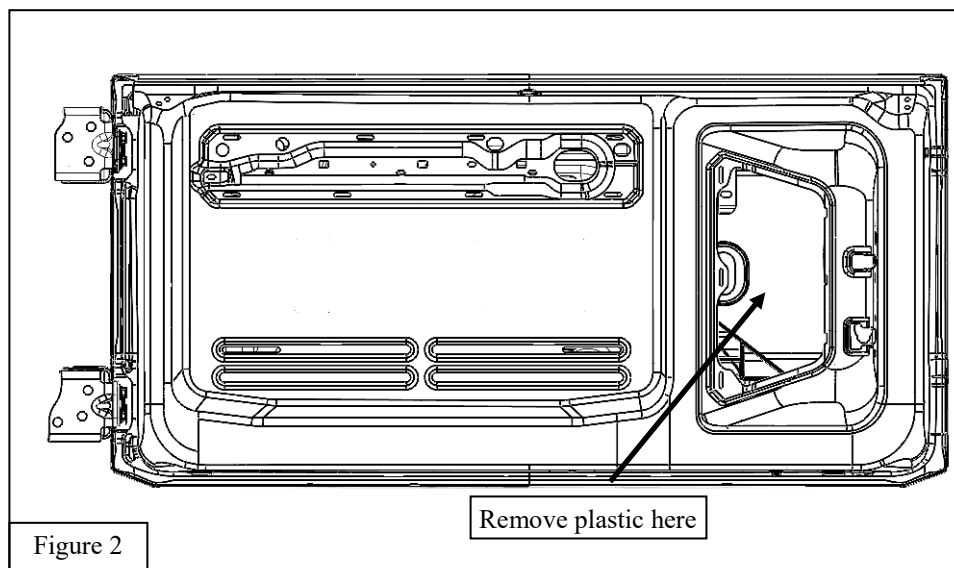
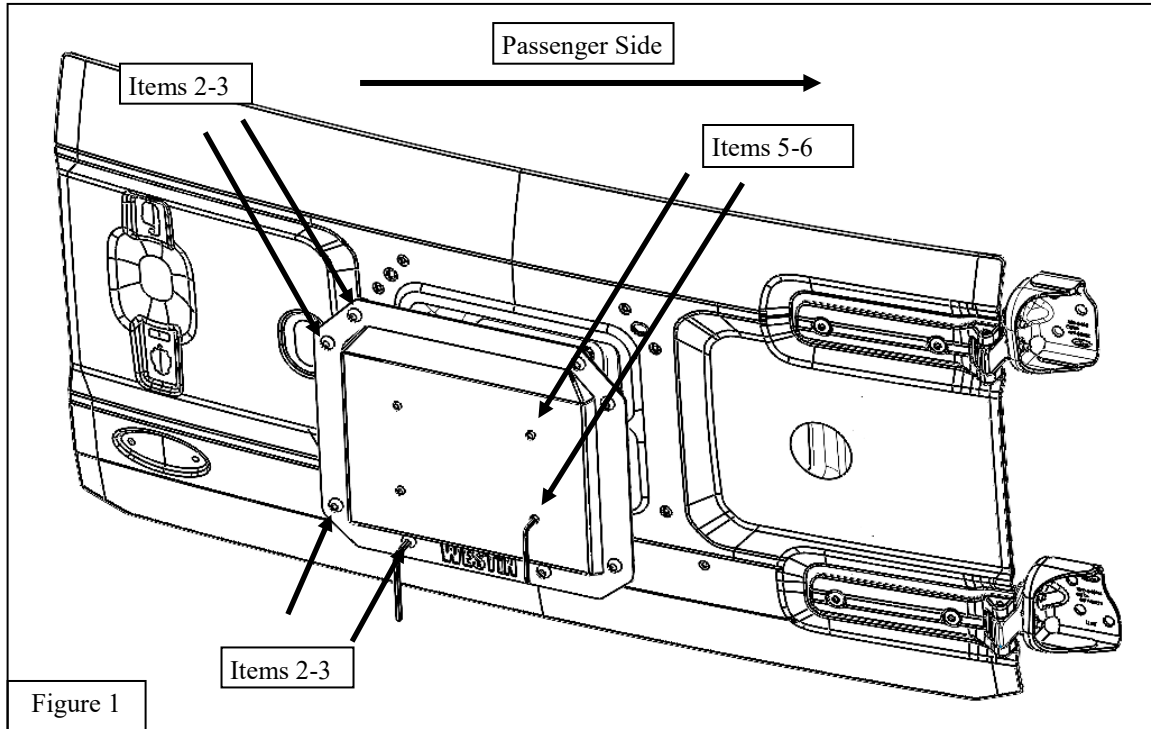
ANTI-SEIZE LUBRICANT MUST BE USED ON ALL STAINLESS STEEL FASTENERS TO PREVENT THREAD DAMAGE AND GALLING



PROCEDURE

1. Remove contents from box, verify if all parts listed are present and free from damage.
Carefully read and understand all instructions before attempting installation.
Failure to identify damage before installation could lead to a rejection of any claim.

2. Install the license plate to the Spare Tire Delete Plate (Item 1) using the M6 hardware (Items 5-6), a 4mm Allen Key, and a 10mm socket. See **Figure 1**
3. Mount the Spare Tire Mount Delete Plate (Item 1) onto the rear of the vehicle tailgate as depicted in **Figure 1**. Secure it in place with the M10 hardware (Items 2-3), a 6mm Allen Key, and a 16mm socket.
4. To access the mounting points, remove the plastic cover located inside the door. Screw on the (8) M10 Serrated Flange Nuts accordingly (**Figure 2**).



INSTALLATION COMPLETE



CARE INSTRUCTIONS

- REGULAR WAXING IS RECOMMENDED. DO NOT USE ANY TYPE OF POLISH OR WAX THAT MAY CONTAIN ABRASIVES.
- STAINLESS STEEL PRODUCTS CAN BE CLEANED WITH MILD SOAP AND WATER. STAINLESS STEEL POLISH SHOULD BE USED TO POLISH SMALL SCRATCHES.
- GLOSS BLACK FINISHES SHOULD BE CLEANED WITH MILD SOAP AND WATER.

WESTIN

Westin Automotive Products, Inc.
320 W. Covina Blvd
San Dimas, Ca. 91773

Thank you for choosing Westin products
for additional installation assistance please call
Customer Service (800) 793-7846
www.westinautomotive.com



WARNING



Failure to follow these instructions could lead to death, personal injury, and / or property damage.

Failure to follow these instructions could lead to death, personal injury, and / or property damage.

FASTENERS:

All Westin supplied fasteners must be utilized and installed in accordance with the installation instructions and apply torque to the specifications as defined. **DOUBLE CHECK ALL FASTENERS BEFORE INITIAL USE, AND PERIODICALLY IN THE FUTURE TO ENSURE PROPER FUNCTION AND SAFETY.**

DRILLING:

Most Westin products do not require drilling for installation. If drilling is defined as required, use caution when drilling a vehicle. **FAILURE TO REVIEW AN AREA TO BE DRILLED MAY RESULT IN PERSONAL INJURY AND/OR INJURY TO OTHERS AS WELL AS VEHICLE DAMAGE.**

EYE PROTECTION:

ALWAYS WEAR SAFETY GLASSES OR GOGGLES DURING THE INSTALLATION PROCESS TO AVOID PERSONAL INJURY.

MAXIMUM TOWING/CARRYING CAPACITY: (if applicable)

The Westin Receiver Hitches will have a visible tow rating label affixed directly on the product. User should never exceed the vehicle manufacturers maximum tow and weight rating regardless of the capacity of the hitch. **FAILURE TO FOLLOW THESE GUIDELINES WILL VOID THE WESTIN WARRANTY AND MAY RESULT IN PERSONAL INJURY AND/OR INJURY TO OTHERS AS WELL AS VEHICLE DAMAGE.**

FOR CALIFORNIA RESIDENTS ONLY-PROP 65 WARNING:

Some products may contain chemicals such as DEHP, which can cause cancer, birth defects or other reproductive harm. For more info go to www.p65warnings.ca.gov



Westin Automotive Products, Inc.
320 W. Covina Blvd
San Dimas, Ca. 91773