

INSTALLATION INSTRUCTIONS

PRO-SERIES FRONT BUMPER



APPLICATION: F-250/350 2023-2024

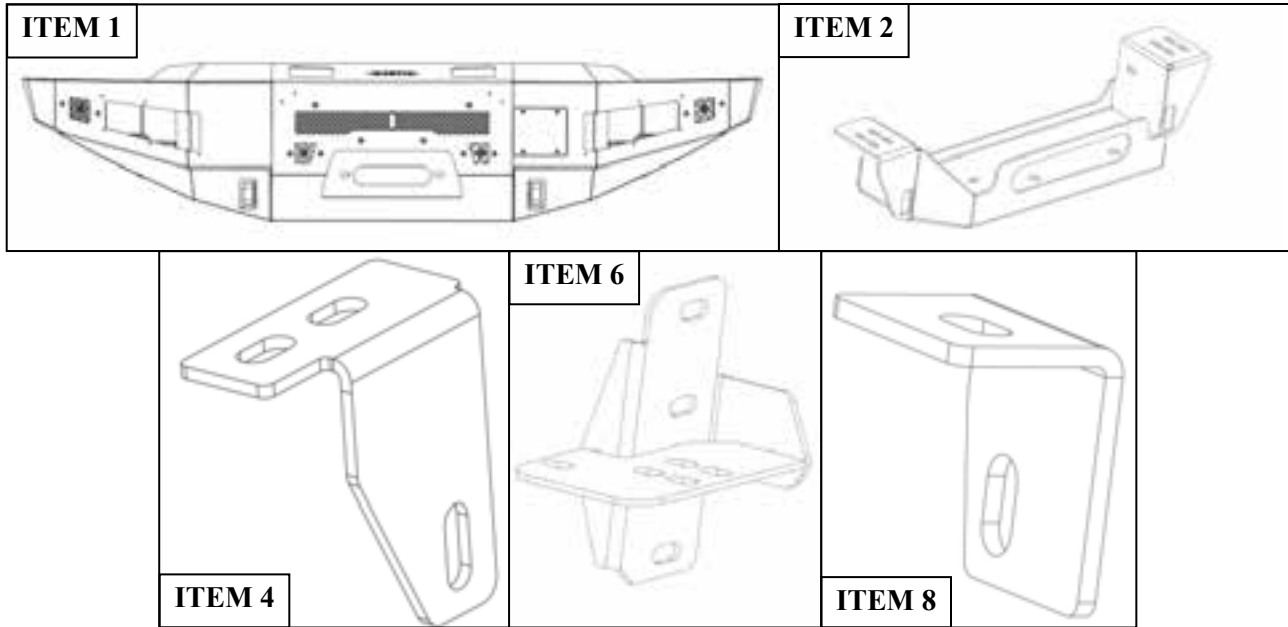
PART NUMBER: 58-411305

CONTENT			
ITEM	QUANTITY	DESCRIPTION	TOOLS NEEDED
1	1	PRO SERIES FRONT BUMPER	10 MM SOCKET
2	1	WINCH TRAY	19MM SOCKET
3	1	LED LIGHT COVER	22MM SOCKET
4	1	DRIVER LED LIGHT BRACKET	3MM HEX KEY
5	1	PASSENGER LED LIGHT BRACKET	4MM HEX KEY
6	1	DRIVER MAIN BRACKET	RATCHET
7	1	PASSENGER MAIN BRACKET	TORQUE WRENCH
8	1	DRIVER SUPPORT BRACKET	
9	1	PASSENGER SUPPORT BRACKET	
10	6	M14 HEX HEAD BOLT	
11	12	M14 FLAT WASHERS	
12	6	M14 HEX NUT	
13	6	M14 LOCK WASHER	
14	14	M12 SERRATED FLANGE NUT	
15	14	M12 HEX HEAD BOLT	
16	14	M12 FLAT WASHER	
17	4	M6 HEX HEAD BOLTS	
18	8	M6 FLAT WASHER	
19	8	M6 SERRATED FLANGE NUT	
20	4	M6 HEX DRIVE FLAT HEAD SCREWS	

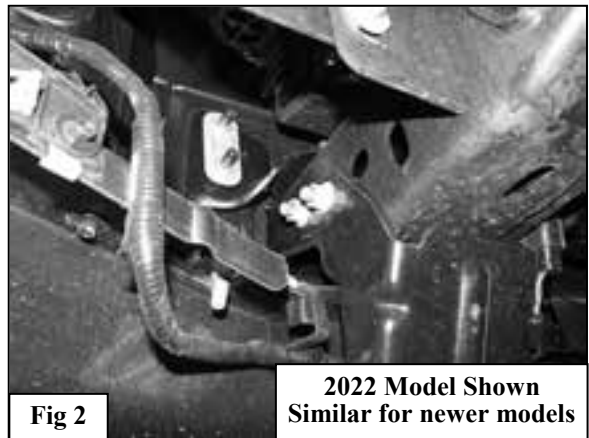
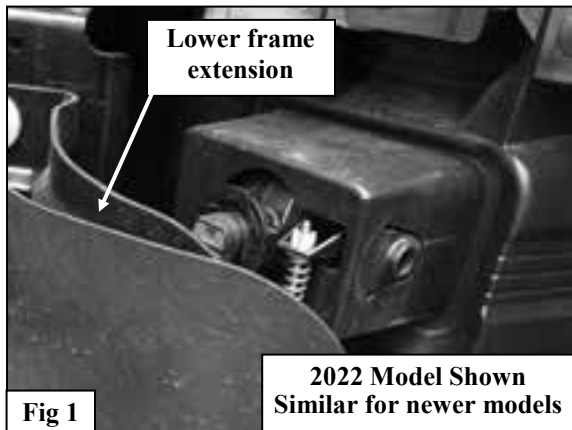
ANTI-SEIZE LUBRICANT MUST BE USED ON ALL STAINLESS STEEL FASTENERS TO PREVENT THREAD DAMAGE AND GALLING

PROCEDURE

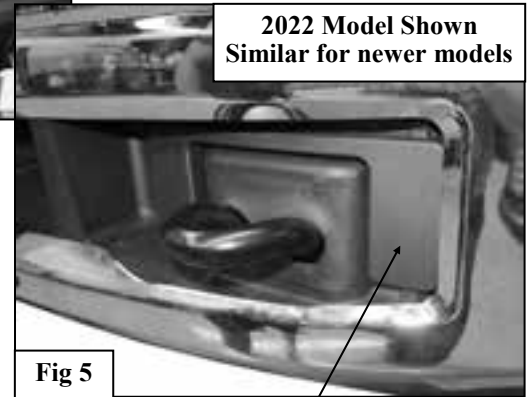
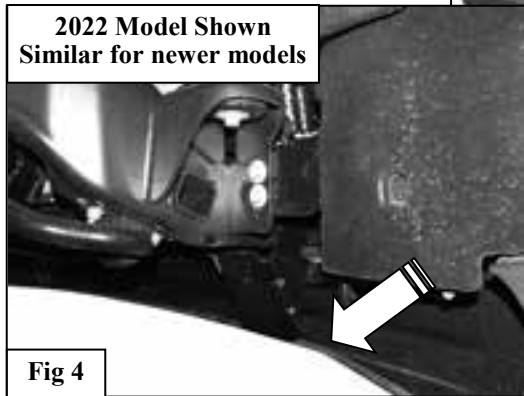
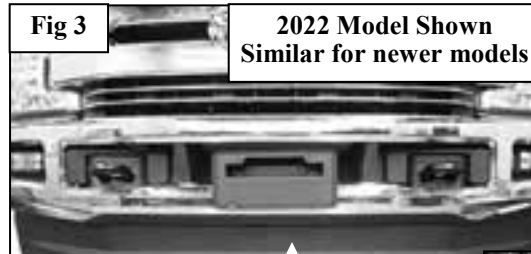
1. Remove contents from box, verify if all parts listed are present and free from damage.
Carefully read and understand all instructions before attempting installation.
Failure to identify damage before installation could lead to a rejection of any claim.



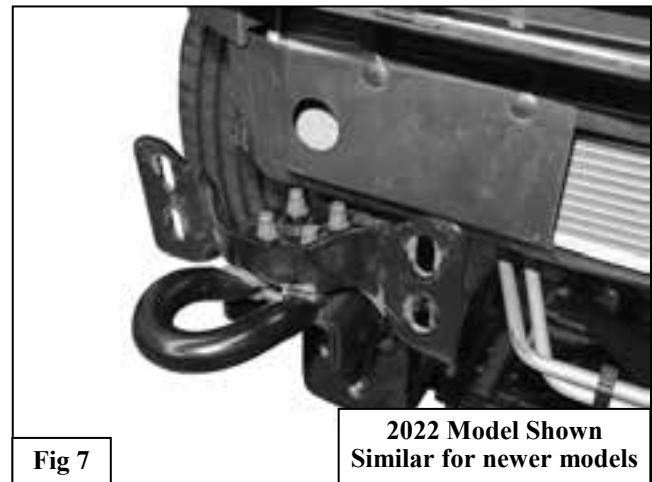
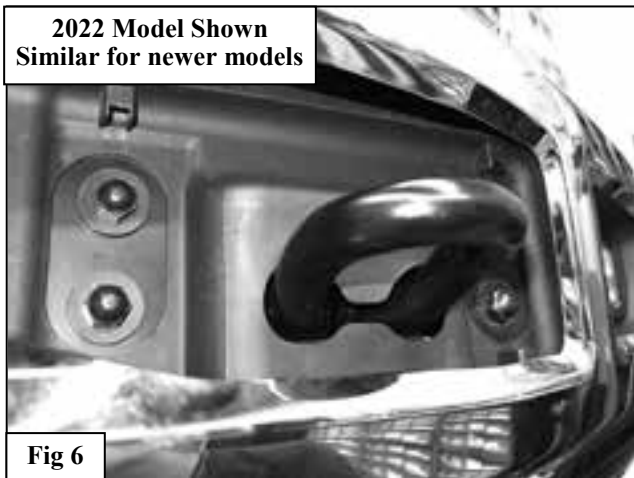
2. Remove the license plate and bracket. On models with factory fog lights, unplug both lights. Release the wiring harness from the clips attached to the back of the bumper, (**Figures 1 & 2**). Move harness away from bumper.



- Next, remove the plastic lower air dam from the bottom of the bumper, (**Figure 3**). Remove the outer bumper supports attaching the outer ends of the bumper to the sides of the frame, (**Figure 4**). Remove the plastic covers from the tow hooks to uncover the bumper bolts, (**Figure 5**).

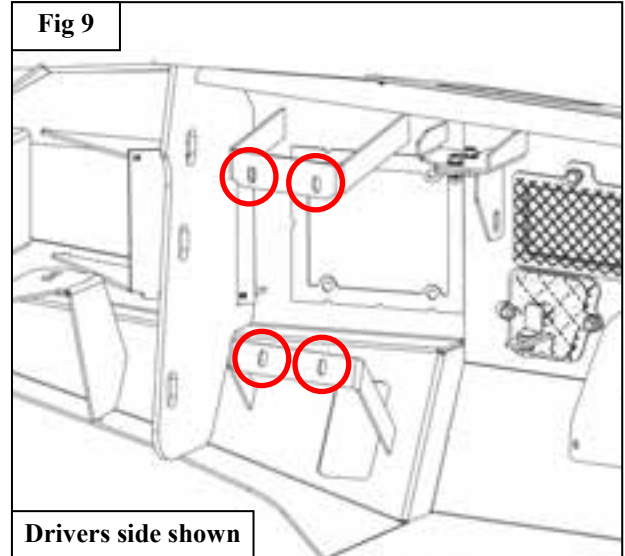
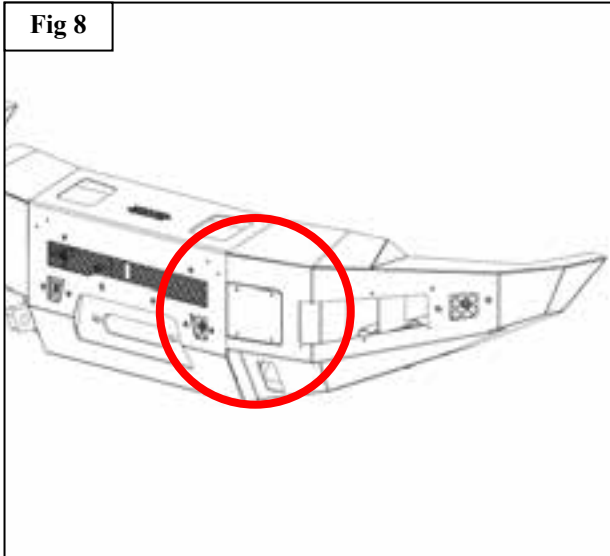


- Place blocks or jack stands under the front bumper to support it during mounting bolt removal. Once the bumper has been safely supported, remove the (8) factory bumper bolts, (**Figure 6**). **WARNING!** Assistance is required to hold the bumper in place during bolt removal to prevent the bumper from falling.
- Carefully slide the bumper off over the tow hooks. Remove the wiring harness from the bumper, being sure to take note of the position and orientation of the parking sensors.

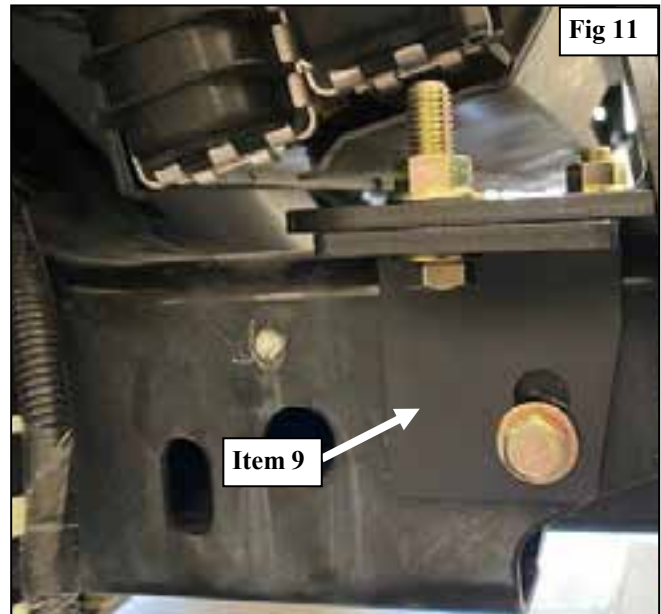
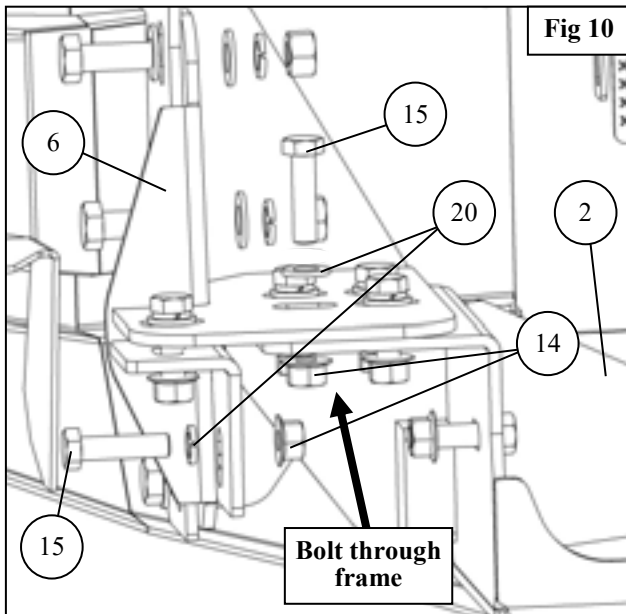


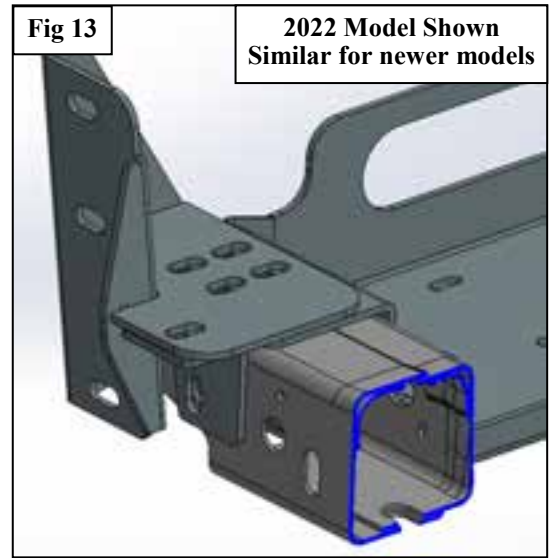
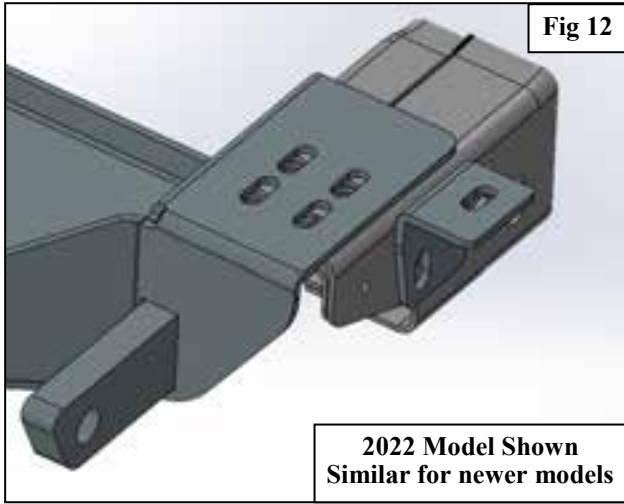
- Remove the passenger/right side tow hook from the end of the frame, (**Figure 7**). Next, remove the (4) factory hex nuts, lower frame extension and double bolt plates from the end of the frame, (**Figures 6 & 7**). Repeat for Driver Side.

7. If your vehicle is not equipped with cruise control sensors, then proceed to **Step 11**.
8. Be sure to take note of the orientation of the active cruise control sensor in the original bumper in order to reinstall in the same manner.
9. Using a 3mm hex key, remove the active cruise control sensor cover plate, (**Figure 8**).
10. Use the OEM mounting bolts in order to mount the active cruise control sensor on to the mounting bracket, (**Figure 9**).

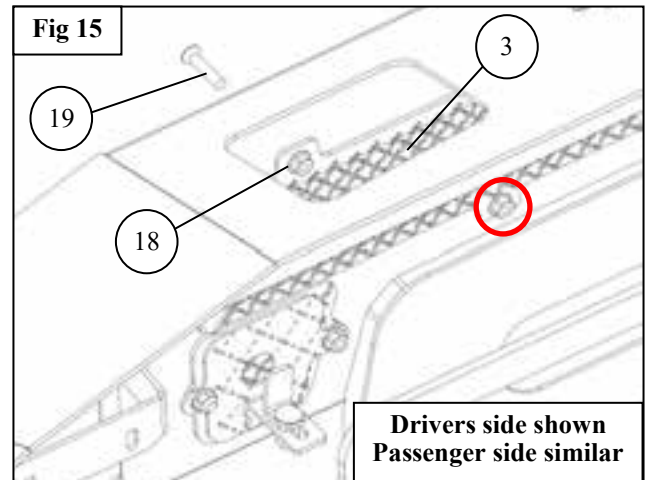
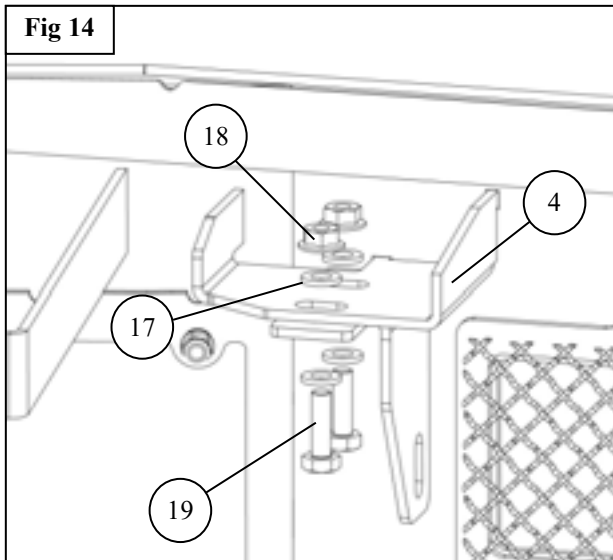


11. Using the Supplied M12 hardware, loosely assemble the winch tray and main mounting brackets to the frame on the truck, (**Figure 10-13**)

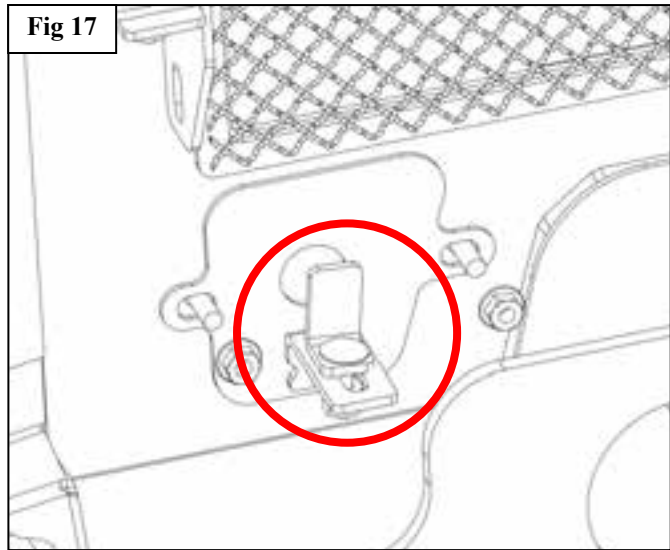
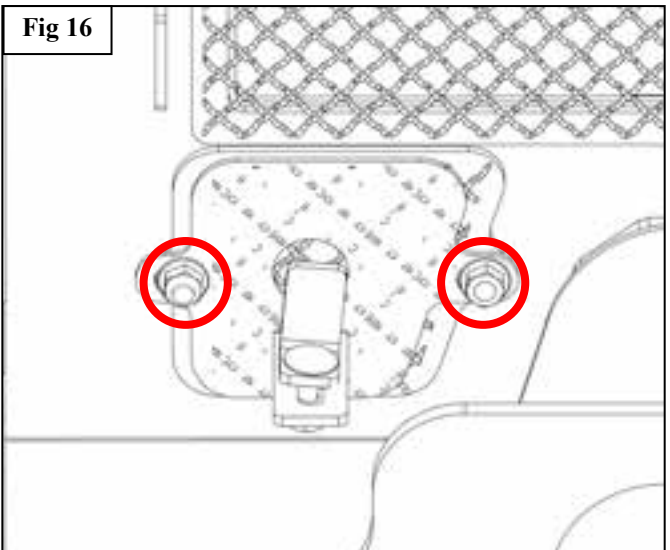




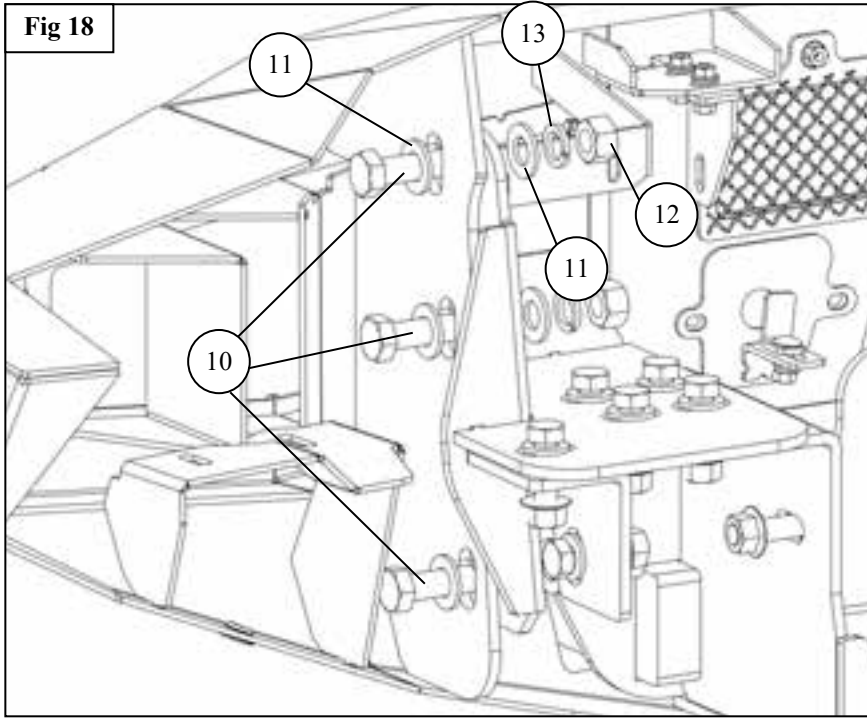
12. Mount your winch and winch accessories at this time.
13. If installing a light bar, install using the supplied LED light brackets and supplied M6 hardware, if applicable. Install light per manufacturers recommendation. **(Figure 14)**
14. If you are not installing light bar, install the led light mesh cover with the supplied M6 hardware and a 4mm hex key, **(Figure 15)**.
15. If installing light pods, do so at this time.



16. To install the parking sensors, remove the M6 hardware from the parking sensor cover plate, (**Figure 16**). Remove the front cover plate with the mesh in order to expose the parking sensor slot.
17. Place the appropriate parking sensor in front of the supporting L-bracket and into the designated hole. It is important that the sensor is placed in the same orientation as it was in the original bumper. Ensure the parking sensor is snug between the plate and bracket, then tighten the M6 nut beneath the L bracket to secure the sensor in place, (**Figure 17**).
18. Secure the remaining portion of the wiring harness to the backside of the bumper.



19. Using supplied M14 bolts, loosely assemble the bumper to the mounting brackets, (**Figure 18**).



20. Adjust the bumper as needed and torque hardware as specified: M6 to 5-7 ft-lbs, M12 to 50-55 ft-lbs, M14 to 90-95 ft-lbs

INSTALLATION COMPLETE



CARE INSTRUCTIONS

- REGULAR WAXING IS RECOMMENDED. DO NOT USE ANY TYPE OF POLISH OR WAX THAT MAY CONTAIN ABRASIVES.
- STAINLESS STEEL PRODUCTS CAN BE CLEANED WITH MILD SOAP AND WATER. STAINLESS STEEL POLISH SHOULD BE USED TO POLISH SMALL SCRATCHES.
- GLOSS BLACK FINISHES SHOULD BE CLEANED WITH MILD SOAP AND WATER.

WESTIN Westin Automotive Products, Inc.
320 W. Covina Blvd
San Dimas, Ca. 91773

Thank you for choosing Westin products
for additional installation assistance please call
Customer Service (800) 793-7846
www.westinautomotive.com



WARNING



Failure to follow these instructions could lead to death, personal injury, and / or property damage.

Failure to follow these instructions could lead to death, personal injury, and / or property damage.

FASTENERS:

All Westin supplied fasteners must be utilized and installed in accordance with the installation instructions and apply torque to the specifications as defined. **DOUBLE CHECK ALL FASTENERS BEFORE INITIAL USE, AND PERIODICALLY IN THE FUTURE TO ENSURE PROPER FUNCTION AND SAFETY.**

DRILLING:

Most Westin products do not require drilling for installation. If drilling is defined as required, use caution when drilling a vehicle. **FAILURE TO REVIEW AN AREA TO BE DRILLED MAY RESULT IN PERSONAL INJURY AND/OR INJURY TO OTHERS AS WELL AS VEHICLE DAMAGE.**

EYE PROTECTION:

ALWAYS WEAR SAFETY GLASSES OR GOGGLES DURING THE INSTALLATION PROCESS TO AVOID PERSONAL INJURY.

MAXIMUM TOWING/CARRYING CAPACITY: (if applicable)

The Westin Receiver Hitches will have a visible tow rating label affixed directly on the product. User should never exceed the vehicle manufacturers maximum tow and weight rating regardless of the capacity of the hitch. **FAILURE TO FOLLOW THESE GUIDELINES WILL VOID THE WESTIN WARRANTY AND MAY RESULT IN PERSONAL INJURY AND/OR INJURY TO OTHERS AS WELL AS VEHICLE DAMAGE.**

FOR CALIFORNIA RESIDENTS ONLY-PROP 65 WARNING:

Some products may contain chemicals such as DEHP, which can cause cancer, birth defects or other reproductive harm. For more info go to www.p65warnings.ca.gov



Westin Automotive Products, Inc.
320 W. Covina Blvd
San Dimas, Ca. 91773