

INSTALLATION INSTRUCTIONS

HDX GRILLE GUARD



APPLICATION:
GMC SIERRA 1500 2022-2024 (EXCL. 2022 OLD BODY)
PART NUMBER:
57-4120, 57-4125

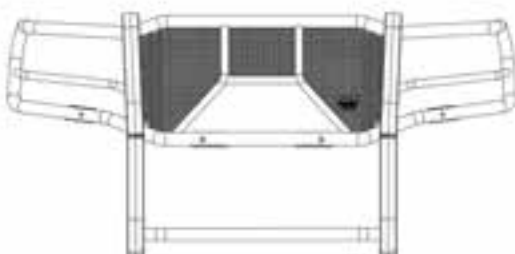
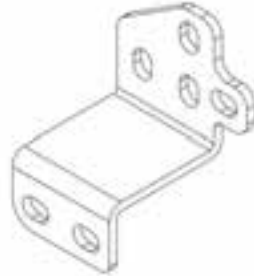
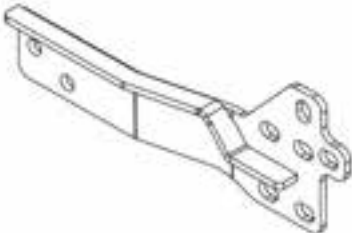
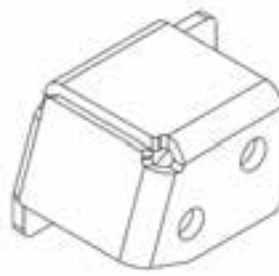

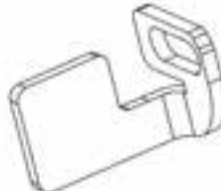
CONTENT			
ITEM	QUANTITY	DESCRIPTION	TOOLS NEEDED
1	1	GRILLE GUARD ASSEMBLY	
2	1	DRIVER LOWER MOUNTING BRACKET "A"	
3	1	PASSENGER LOWER MOUNTING BRACKET "A"	
4	1	DRIVER LOWER MOUNTING BRACKET "B"	
5	1	PASSENGER LOWER MOUNTING BRACKET "B"	
6	1	DRIVER LOWER MOUNTING BRACKET "C"	
7	1	PASSENGER LOWER MOUNTING BRACKET "C"	
8	1	DRIVER UPPER MOUNTING BRACKET	
9	1	PASSENGER UPPER MOUNTING BRACKET	
10	4	HARNESSE EXTENSION	
11	2	DRIVER SENSOR TAB	
12	2	PASSENGER SENSOR TAB	
13	8	M12 35MM HEX HEAD CAP SCREW (YELLOW ZINC)	
14	4	M12 120MM HEX HEAD CAP SCREW (YELLOW ZINC)	
15	12	M12 SPLIT LOCK WASHER (YELLOW ZINC)	
16	12	M12 FLAT WASHER (YELLOW ZINC)	
17	12	M12 SERRATED FLANGED HEX NUT (YELLOW ZINC)	
18	2	M10 HEX HEAD CAP SCREW (YELLOW ZINC)	
19	2	M10 SPLIT LOCK WASHER (YELLOW ZINC)	
20	4	M10 FLAT WASHER (YELLOW ZINC)	
21	2	M10 HEX NUT	
22	4	M6 HEX HEAD CAP SCREW (YELLOW ZINC)	
23	4	M6 SPLIT LOCK WASHER (YELLOW ZINC)	
24	4	M6 FLAT WASHER (YELLOW ZINC)	
25	2	M10 HEX SOCKET BUTTON HEAD BOLT (BLACK ZINC OR RAW)	
26	2	M10 BELLVILLE WASHER (BLACK ZINC OR RAW)	
27	2	M0 SERRATED FLANGE NUT (BLACK ZINC OR RAW)	

ANTI-SEIZE LUBRICANT MUST BE USED ON ALL STAINLESS STEEL FASTENERS TO PREVENT THREAD DAMAGE AND GALLING

CONTENT

ITEM	QUANTITY	DESCRIPTION	TOOLS NEEDED
28	8	M12 HEX SOCKET BUTTON HEAD BOLT (BLACK ZINC OR RAW)	
29	8	M12 SERRATED FLANGE NUT (BLACK ZINC OR RAW)	
30	8	M12 BELLVILLE WASHER (BLACK ZINC OR RAW)	
31	8	6 INCH LONG ZIP TIES	
32	4	1" X 1" SQUARE DOUBLE SIDED TAPE	
33	1	DRIVER SIDE CUTTING TEMPLATE	
34	1	PASSENGER SIDE CUTTING TEMPLATE	

ANTI-SEIZE LUBRICANT MUST BE USED ON ALL STAINLESS STEEL FASTENERS TO PREVENT THREAD DAMAGE AND GALLING

	
Item 1	Item 2
	
Item 4	Item 6
	
Item 8	Item 11



Westin Automotive Products, Inc.
320 W. Covina Blvd
San Dimas, Ca. 91773

Thank you for choosing Westin products
for additional installation assistance please call
Customer Service (800) 793-7846
www.westinautomotive.com

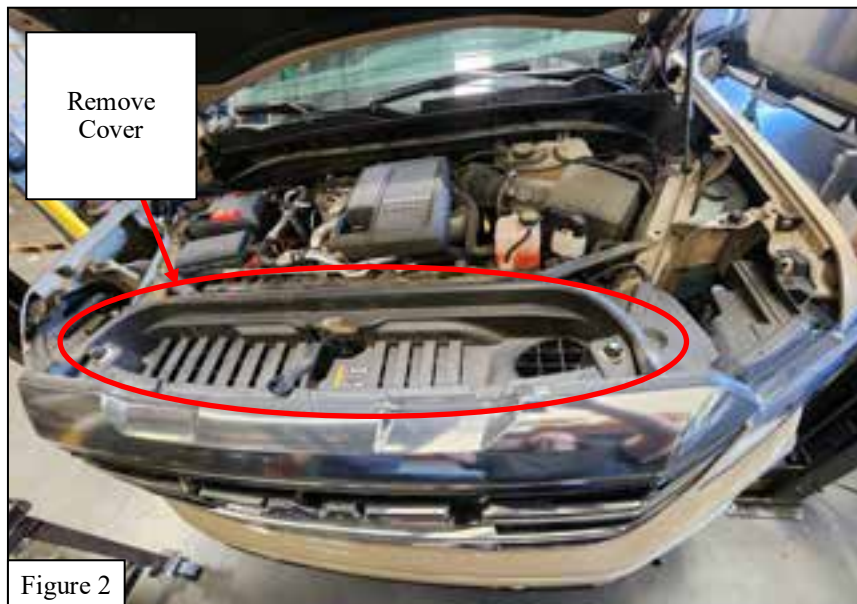
PROCEDURE

1. Remove contents from box, verify if all parts listed are present and free from damage. Carefully read and understand all instructions before attempting installation.
Failure to identify damage before installation could lead to a rejection of any claim.

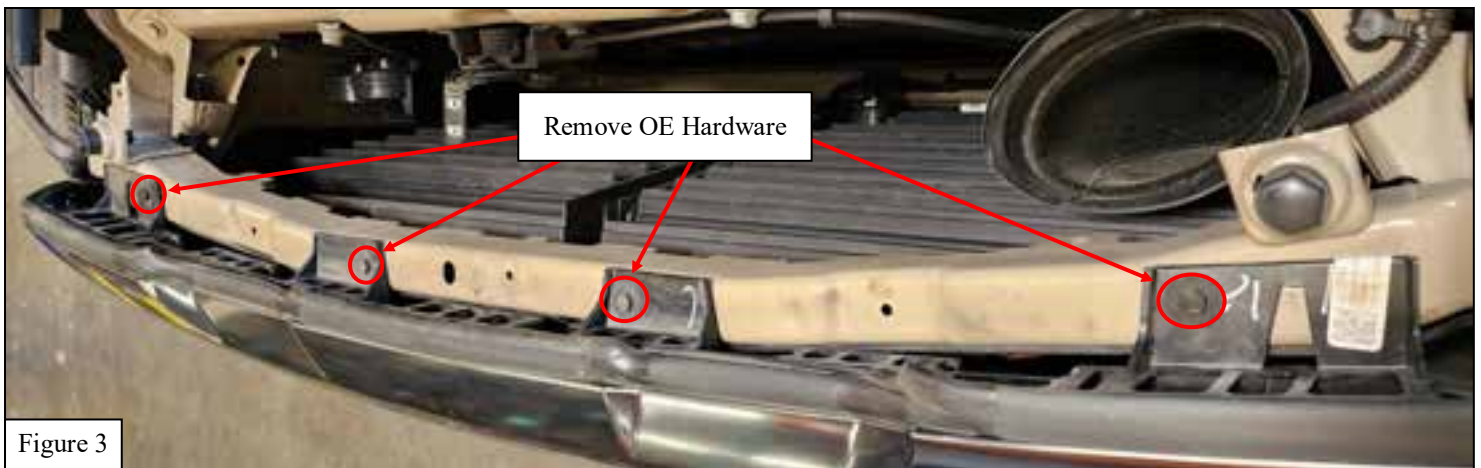
2. Open the hood and remove the lever seen in **Figure 1** using a T10 Torx driver. Remove the (2) screws and slide the lever toward the front of the vehicle.



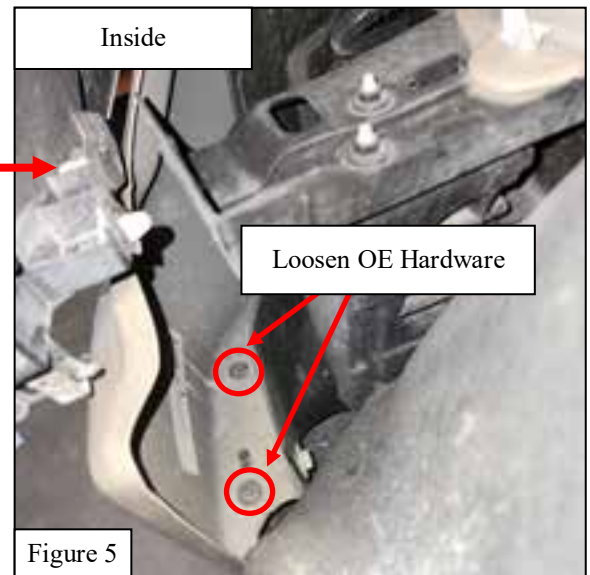
3. Remove the plastic cover shown in **Figure 2**. Use a pry tool to disengage and remove the clips retaining the plastic cover.



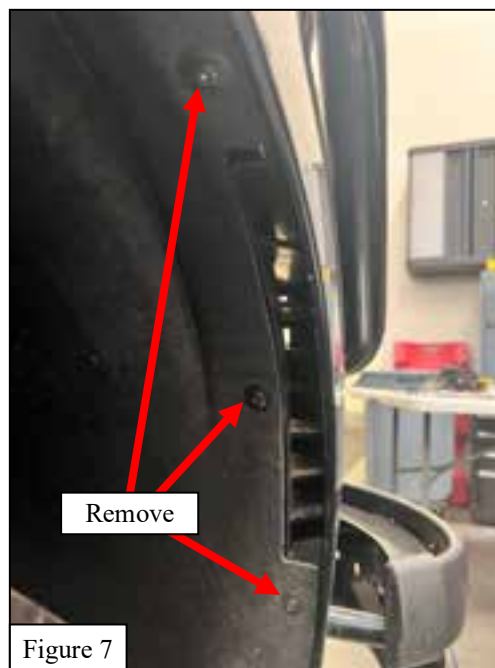
4. Remove the 4 OE hardware seen in **Figure 3**.



5. Starting on the drivers side of the vehicle, remove the OE hardware located inside the wheel well.
6. Loosen two screws behind the fender panel shown in **Figure 4 and 5**.



7. Separate the front of the wheel well trim seen in **Figure 6** from the vehicle. Pull the front of wheel well liner out to access the clips retaining the wheel well trim. Use a small flat head screw driver to release the blue clips. Use a pair of needle nose pliers to release white and yellow clips.
8. Remove the fasteners retaining the front fascia panel. They are located inside the wheel wells above the bumper and behind the wheel well trim. See **Figures 6 and 7**.
9. Repeat **Steps 5-8** on the passenger side.
10. Remove the front fascia panel using a pry tool. Use painters tape to prevent damage while prying the filler panel.



11. Using a pry tool, carefully pry off the tabs where screws were previously removed at the top of the grille. See **Figure 8**



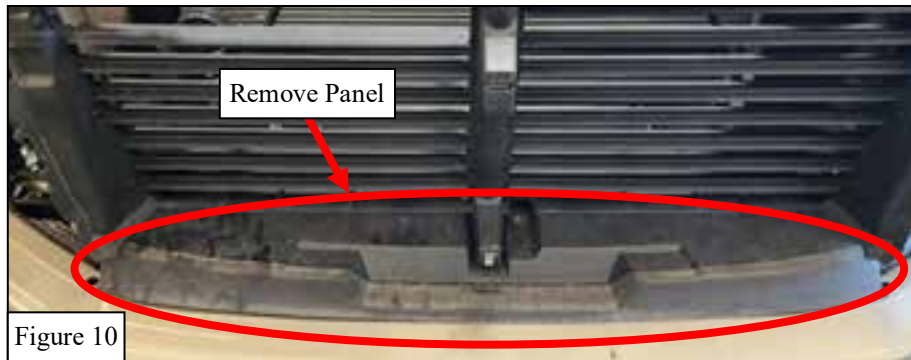
12. Disconnect the electrical harness seen in **Figure 9**. If a block heater is equipped, disconnect the block heater cable.



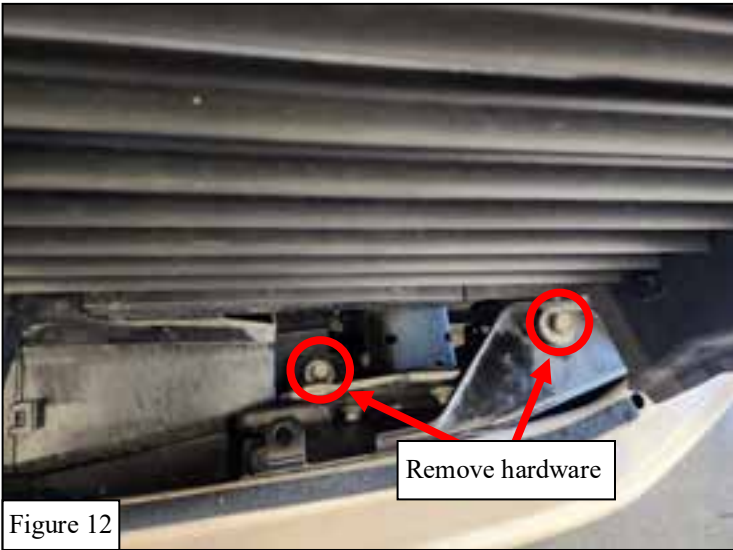
13. Remove the three bolts along the bottom of the grille.

14. Remove the grille by firmly pulling it to detach the clips. If a front camera is equipped, disconnect the camera wiring harness and cleaning fluid tube. **Note:** Do not disconnect the camera or cleaning fluid nozzle from the grille.

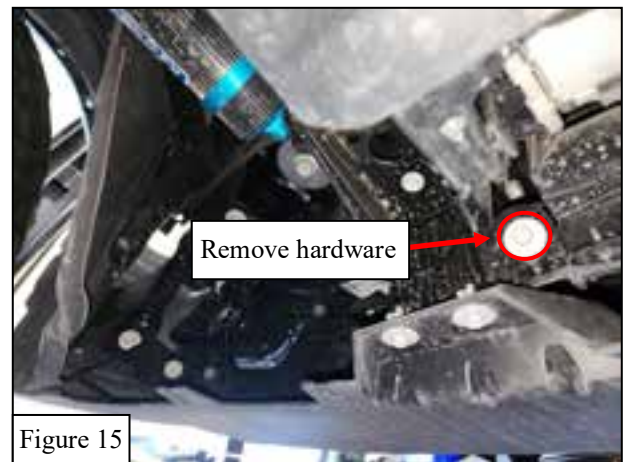
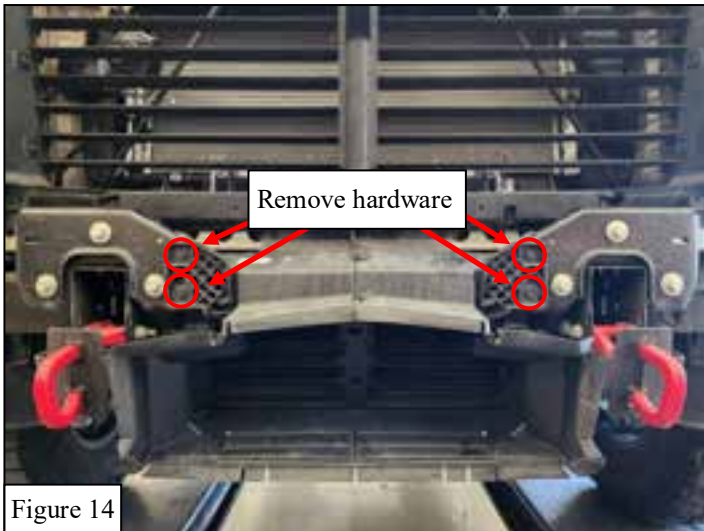
15. Remove the panel shown in **Figure 10**. Lift the panel and remove the clips underneath see **Figures 10 and 11**.



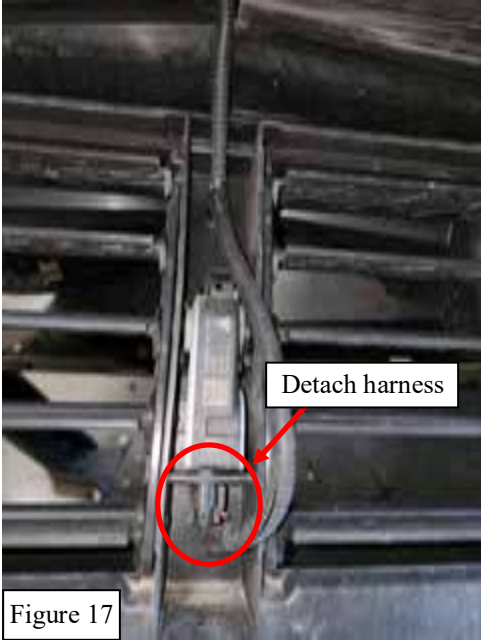
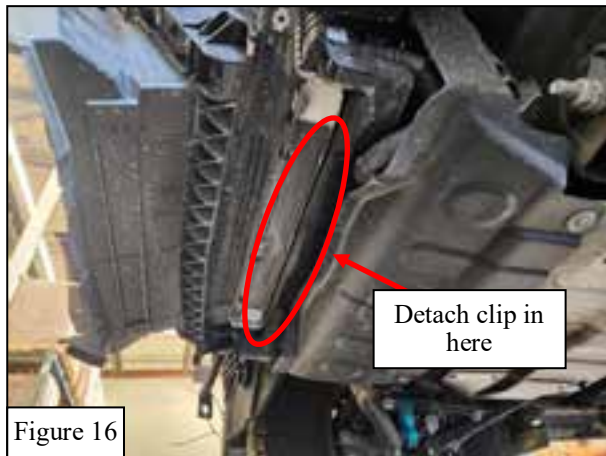
16. Remove the (4) OE bolts located underneath the panel removed in the previous step. See **Figure 12**.
17. Remove the (4) OE bolts attached to the bottom of the plastic skid plate. See **Figure 13**.
18. Remove the (2) OE bolts on the sides of the bumper shown in **Figure 13**.
19. Remove Bumper by carefully pulling it out.



20. If an air baffle is equipped, remove the air baffle. Remove the four bolts on the front and the two bolts in the back. See **Figures 14 and 15**.



- 21. Detach the air baffle clips from the radiator. See **Figure 16**.
- 22. Detach the air baffle electrical harness. See **Figure 17**.
- 23. Remove the air baffle.



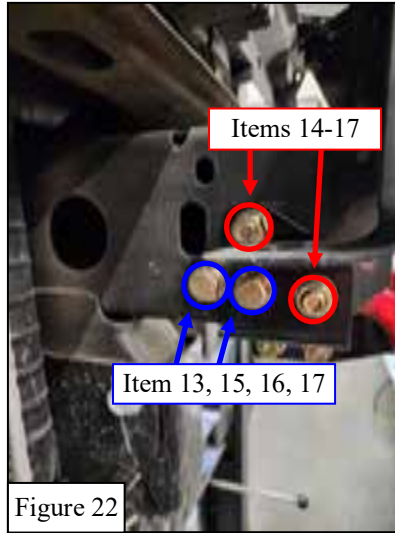
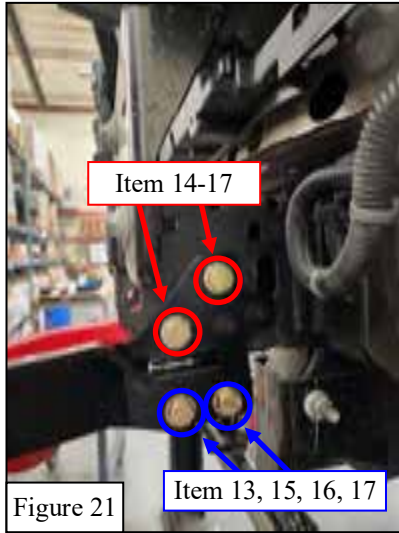
- 24. If tow hooks are equipped, remove the tow hooks (tow hooks will be reinstalled). Detach the clips retaining the plastic tow hook covers to the bottom of the frame. See **Figure 18**. Remove the OE hardware retaining the tow hooks. See **Figures 19 and 20**.



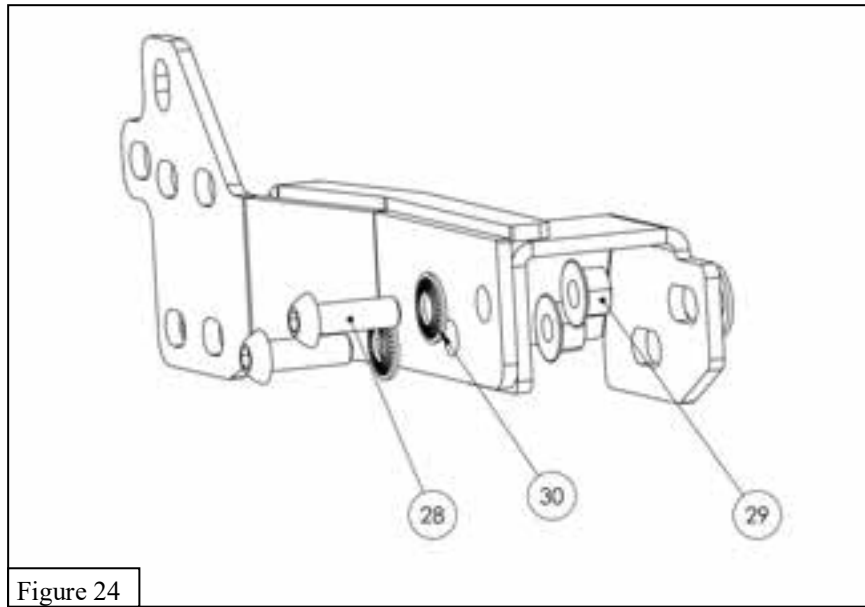
25. Loosely attach the Mounting Brackets “A” and “B” (items 2-5) and tow hooks as seen in **Figures 21-23** using the M12 hardware (items 13-17).

Note: The tow hook cases are identical. The hardware placed will not be symmetrical, but facing the same direction.

Note: If Tow hooks are used, Item 13 will not need a hex nut (item 17) as it will be screwed into the tow hook.



26. Loosely attach Mounting Bracket “C” (items 6 and 7) onto mounting bracket “A” using the M12 hardware (items 28-30). See **Figure 24**.



27. Loosely attach Upper Mounting Brackets (**items 8 and 9**) onto vehicle using OE hardware. See **Figures 25 and 26**.
Note: The bumper is not yet installed Figures 25 and 26 are for reference and location only.



Figure 25



Figure 26

28. Loosely install the Grille Guard Assembly (**item 1**) onto upper mounting brackets and Lower Mounting Brackets “C” using the M12 hardware (**items 28-30**). See **Figures 27 and 28**.
Note: bumper is not yet installed.
29. Tighten all M12 hardware attached to the Lower Mounting Brackets “A” and “B” to 45-50 ft-lbs.

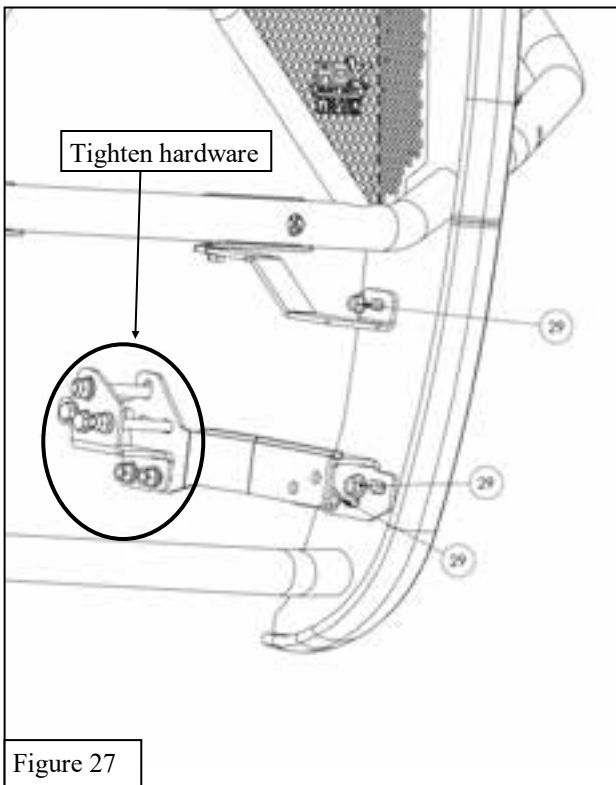


Figure 27

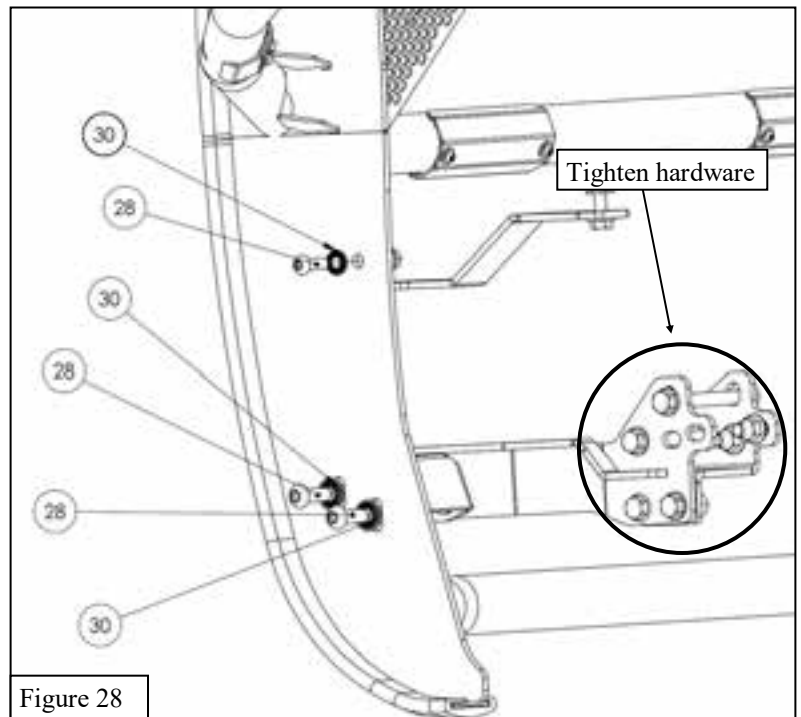
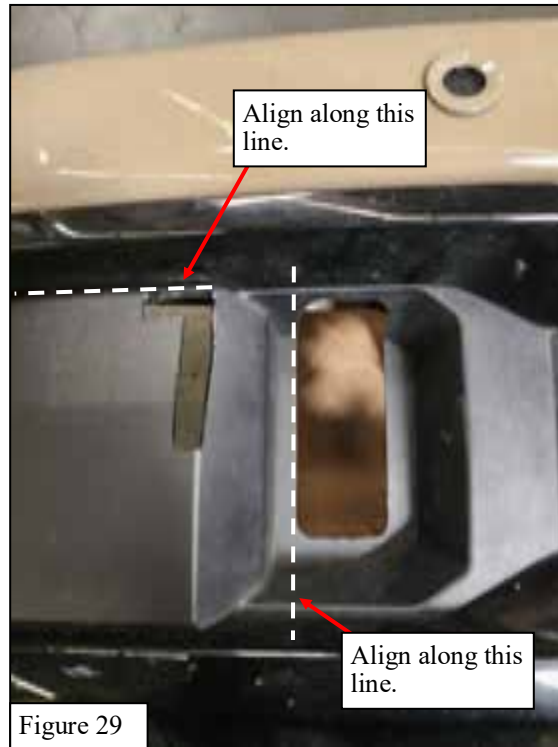


Figure 28

30. Remove the Grille Guard Assembly, Upper Mounting Brackets, and Lower Mounting Bracket “C”.
31. Reconnect the air baffle’s electrical harness and reinstall air baffle.

32. Locate the driver's and passenger's cutting templates (**items 33 and 34**). Starting on either side, align the template with the bumper edges as seen in **Figure 29**. The top of the template should align with the part in which the metal bumper and plastic bumper pieces meet. See **Figure 29** for reference.
33. Ensure that the measurements match your template. Follow the template instructions and cut accordingly.
Note: After cutting, you will still need to adjust your brackets and more cutting may be required.



34. Remove parking sensors from the front bumper wiring harness and install harness extensions in place of the parking sensors.
35. Reinstall the front bumper.
Note: Hang extensions over the bumper as seen in **Figure 30**



36. Install upper mounting brackets on the vehicle in the same place as installed before using OE hardware or provided M10 hardware (**items 18-21**). Tighten M10 hardware to 25-30 ft-lbs. See **Figure 31 and 32**.

Note: Make sure the distance between the upper mounting brackets is 41.32 inches See **Figure 31**.

37. Reinstall the plastic panel above the bumper.

38. Reinstall the grille, before fully clipping it in, make sure to reconnect camera harness and cleaning fluid nozzle.

39. Reinstall the front fascia panel

40. Reinstall the plastic cover above the grille

41. Reinstall lever.

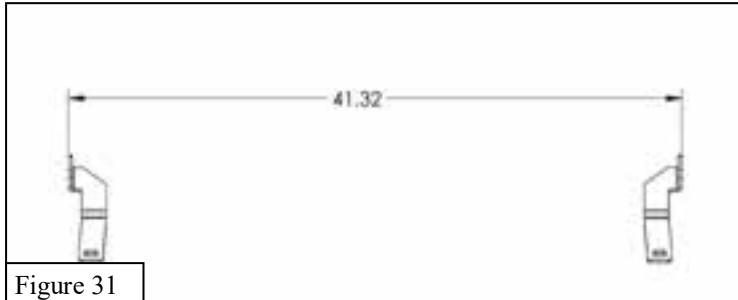


Figure 31



Figure 32

42. Loosely attach the Lower Mounting Brackets “C” (**items 6 and 7**) onto Lower Mounting Brackets “A” in the same locations as before. See **Figure 33**.

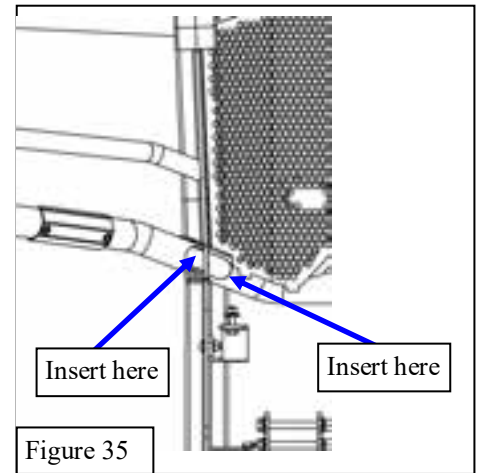
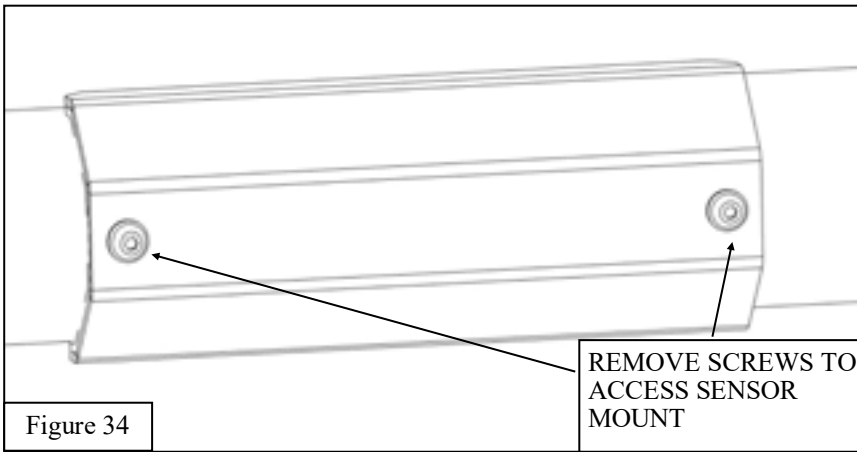
43. Loosely install the Grille Guard Assembly onto the Upper Mounting Brackets and Lower Mounting Brackets “C” using the M12 Button head hardware.



Figure 33

Parking Sensor Relocation Instructions
If parking sensors are not equipped, skip to step 48.

44. Remove the pre-installed tube covers from the grille guard by unscrewing M6 button head bolts. See **Figure 34**.
45. Insert the Harness Extensions (**item 9**) through the holes in the tubes. See **Figure 35** for location.

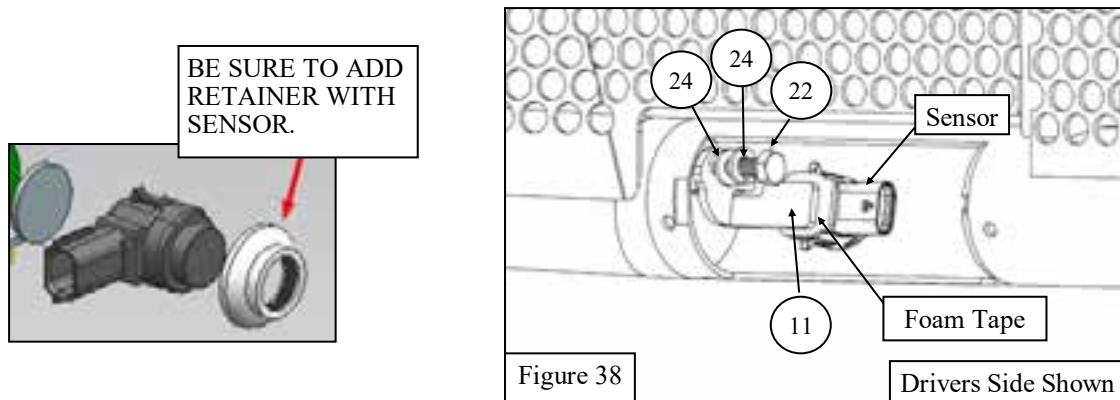
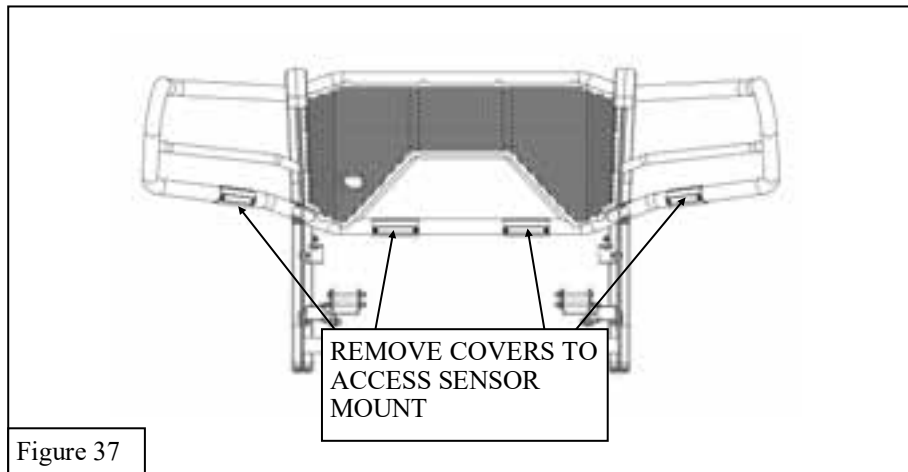


46. Route the Harness Extensions through the grille guard tubes before installing the sensors. See **Figures 36**.
47. Connect parking sensors to the harness extenders.



48. Attach the parking sensors using the Sensor Tabs (**items 11 and 12**) and the provided M6 hardware (**items 22-24**). See **Figure 37 and 38**.

*Note: The double sided tape (**item 36**) may be used to secure the Sensor Tabs to the parking sensors.*



49. Reinstall the tube covers.

50. Align and adjust the Grille Guard and brackets as necessary.

51. Tighten and torque all fasteners as follows: M6 to 7 ft-lbs and M12 to 45-50 ft-lbs.

INSTALLATION COMPLETE



CARE INSTRUCTIONS

- REGULAR WAXING IS RECOMMENDED. DO NOT USE ANY TYPE OF POLISH OR WAX THAT MAY CONTAIN ABRASIVES.
- STAINLESS STEEL PRODUCTS CAN BE CLEANED WITH MILD SOAP AND WATER. STAINLESS STEEL POLISH SHOULD BE USED TO POLISH SMALL SCRATCHES.
- GLOSS BLACK FINISHES SHOULD BE CLEANED WITH MILD SOAP AND WATER.

WESTIN

Westin Automotive Products, Inc.
320 W. Covina Blvd
San Dimas, Ca. 91773

Thank you for choosing Westin products
for additional installation assistance please call
Customer Service (800) 793-7846
www.westinautomotive.com



WARNING



Failure to follow these instructions could lead to death, personal injury, and / or property damage.

Failure to follow these instructions could lead to death, personal injury, and / or property damage.

FASTENERS:

All Westin supplied fasteners must be utilized and installed in accordance with the installation instructions and apply torque to the specifications as defined. **DOUBLE CHECK ALL FASTENERS BEFORE INITIAL USE, AND PERIODICALLY IN THE FUTURE TO ENSURE PROPER FUNCTION AND SAFETY.**

DRILLING:

Most Westin products do not require drilling for installation. If drilling is defined as required, use caution when drilling a vehicle. **FAILURE TO REVIEW AN AREA TO BE DRILLED MAY RESULT IN PERSONAL INJURY AND/OR INJURY TO OTHERS AS WELL AS VEHICLE DAMAGE.**

EYE PROTECTION:

ALWAYS WEAR SAFETY GLASSES OR GOGGLES DURING THE INSTALLATION PROCESS TO AVOID PERSONAL INJURY.

MAXIMUM TOWING/CARRYING CAPACITY: (if applicable)

The Westin Receiver Hitches will have a visible tow rating label affixed directly on the product. User should never exceed the vehicle manufacturers maximum tow and weight rating regardless of the capacity of the hitch. **FAILURE TO FOLLOW THESE GUIDELINES WILL VOID THE WESTIN WARRANTY AND MAY RESULT IN PERSONAL INJURY AND/OR INJURY TO OTHERS AS WELL AS VEHICLE DAMAGE.**

FOR CALIFORNIA RESIDENTS ONLY-PROP 65 WARNING:

Some products may contain chemicals such as DEHP, which can cause cancer, birth defects or other reproductive harm. For more info go to www.p65warnings.ca.gov



Westin Automotive Products, Inc.
320 W. Covina Blvd
San Dimas, Ca. 91773