

# INSTALLATION INSTRUCTIONS

## HDX RUNNING BOARD



APPLICATION:  
TUNDRA CREWMAX 2022-2024  
PART NUMBER:  
55-34235

### CONTENT

ITEM	QUANTITY	DESCRIPTION	TOOLS NEEDED
1	1	DRIVER STEP BAR ASSEMBLY 84"	13MM SOCKET
2	1	PASSENGER STEP BAR ASSEMBLY 84"	13MM WRENCH
3	1	DRIVER MOUNTING BRACKET 'A'	15MM SOCKET
4	1	PASSENGER MOUNTING BRACKET 'A'	15MM WRENCH
5	2	DRIVER MOUNTING BRACKET 'B'	RATCHET
6	2	PASSENGER MOUNTING BRACKET 'B'	TORQUE WRENCH
7	6	PLATE ADAPTER	
8	6	BRACKET COVER	
9	12	M6 NYLOCK NUT (YELLOW ZINC)	
10	12	M6 HEX HEAD CAP SCREW (YELLOW ZINC)	
11	24	M6 FLAT WASHER (YELLOW ZINC)	
12	12	M8 HEX NUT (BLACK ZINC)	
13	12	M8 SEMS HARDWARE (BLACK ZINC)	
14	12	M8 FLAT WASHER (BLACK ZINC)	
15	12	M8 SPLIT LOCK WASHER (BLACK ZINC)	

ANTI-SEIZE LUBRICANT MUST BE USED ON ALL STAINLESS STEEL FASTENERS TO PREVENT THREAD DAMAGE AND GALLING



Item 1

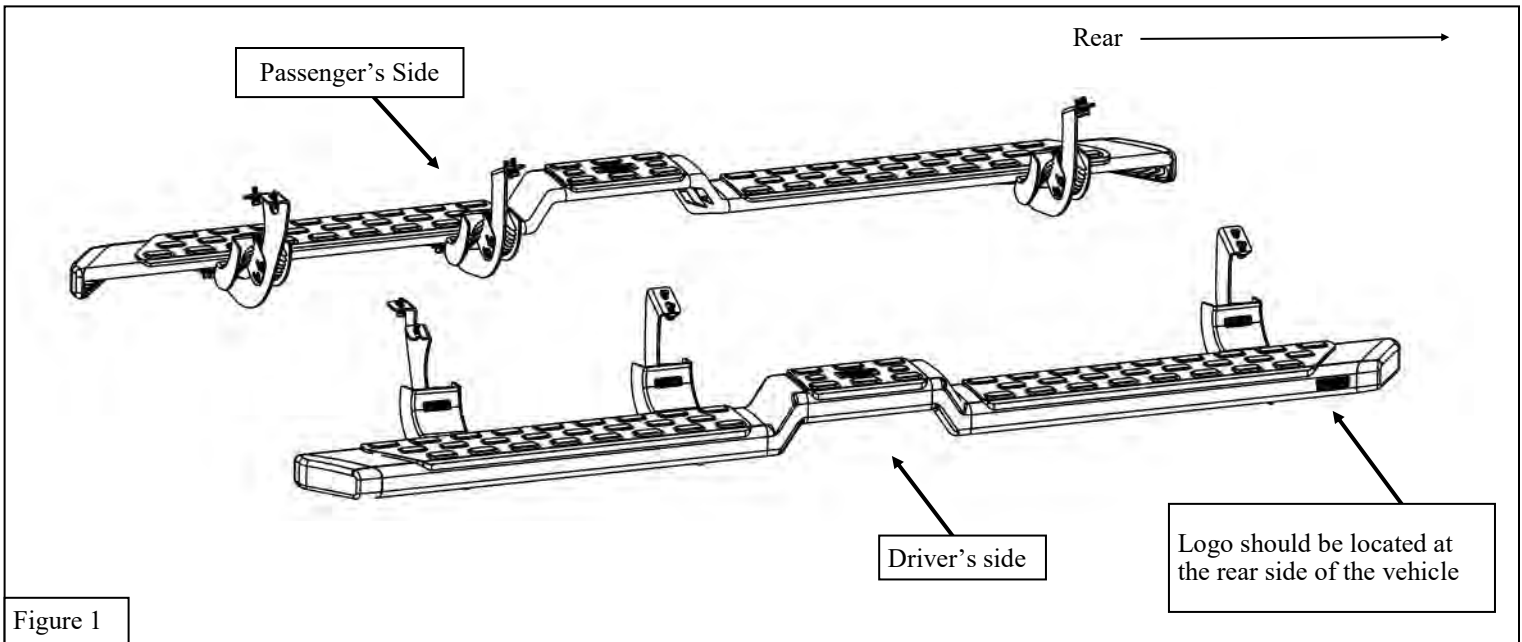
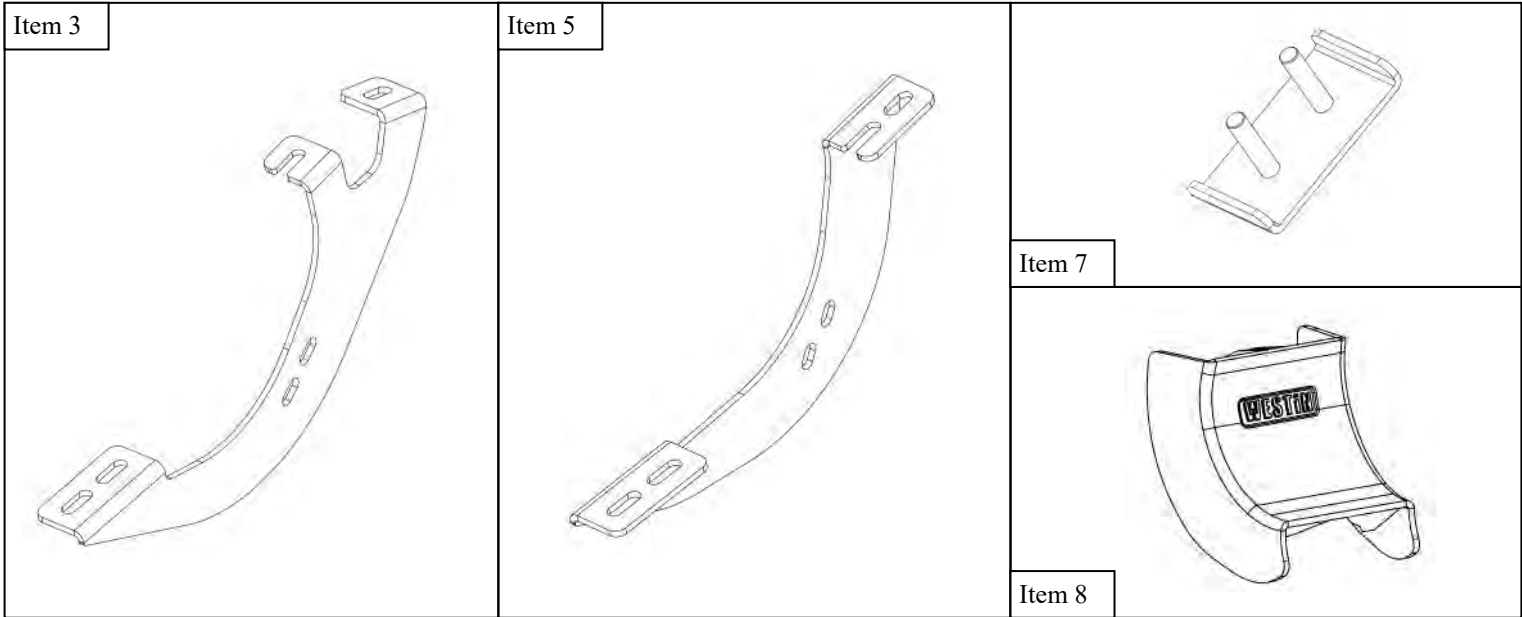
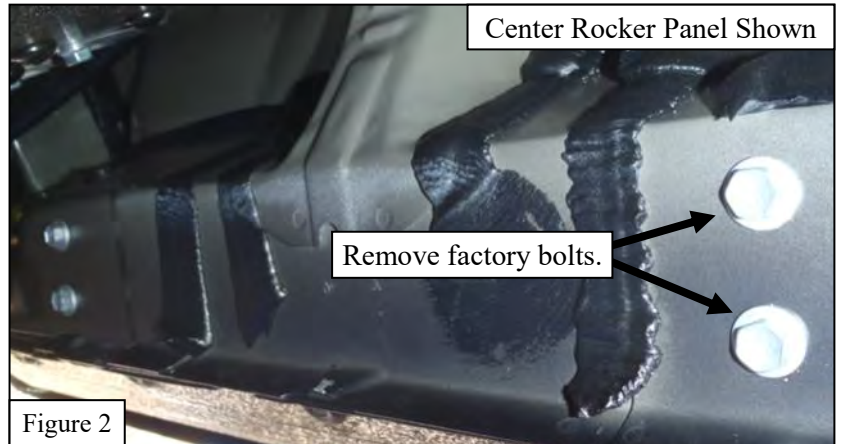
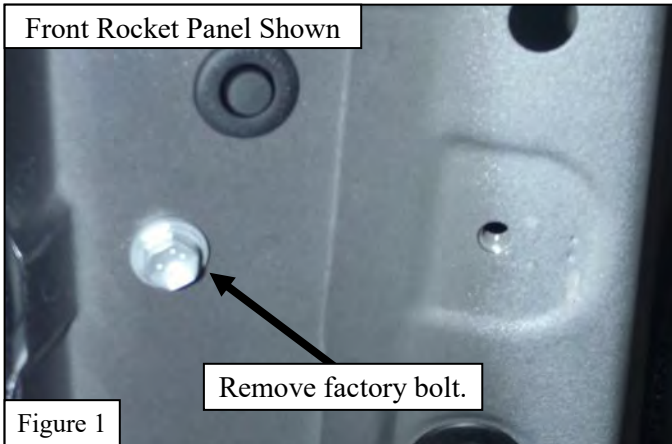


Figure 1

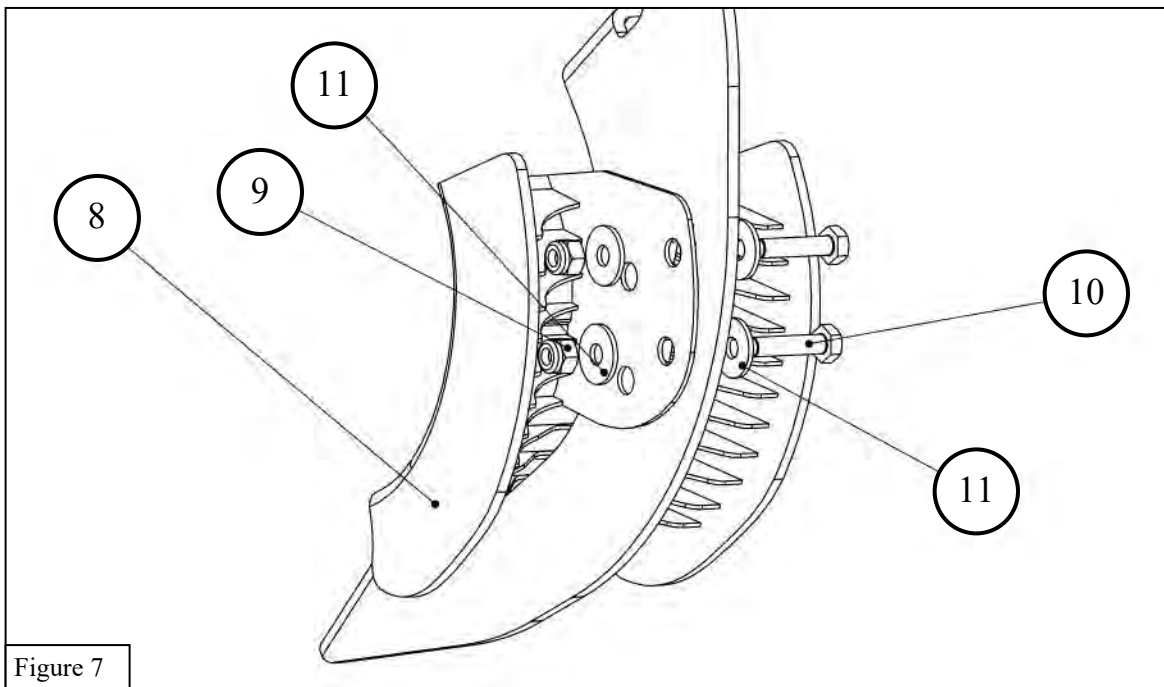
## PROCEDURE

1. Remove contents from box, verify if all parts listed are present and free from damage. Carefully read and understand all instructions before attempting installation.  
**Failure to identify damage before installation could lead to a rejection of any claim.**
2. Starting on the either side of the vehicle, locate the mounting locations with factory bolts preinstalled in them. Remove the factory bolts from the threaded holes. See **Figures 1 & 2** for reference. *Note: The factory bolts will not be reused.*
3. Locate Mounting Brackets 'A' (Item 3 & 4) and loosely install it to the front mounting location on the rocker panel using the supplied M8 hardware (Items 13). See **Figure 3** for reference.
4. Locate Mounting Brackets 'B' (Items 5 & 6) and loosely install it to the center and rear mounting locations on the rocker panel using the supplied M8 hardware (Item 13). See **Figure 4** for reference.





5. Attach bracket covers (Item 8) on the front, middle, and rear brackets using the M6 hex head cap screws (Items 9-11). See **Figure 7**.

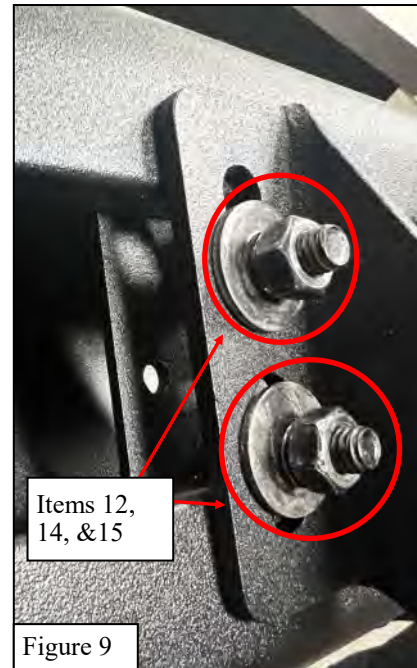
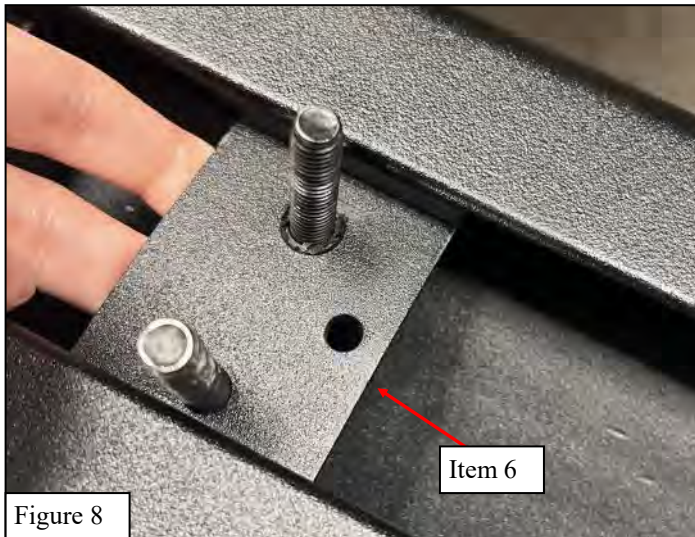




6. Insert the plate adapters (Item 7) into board assemblies (Item 1 & 2) by first putting them in parallel to the board, then turning them 90 degrees to be perpendicular to the board. (Make sure the plate hooks onto the bottom of the board, and the screws are facing outwards. See **Figure 8**.

**Note:** Look at **Figure 1** to see location of where the plate adapters are located along the board.

7. Mount the step board assemblies (Item 1 & 2) to the previously installed brackets using the M8 hardware (Items 12, 14, & 15) See **Figure 9**.
8. Align step bar and brackets to desired positioning then torque and tighten all: M10 to 35ft-lbs, M8 hardware to 20ft-lbs, and M6 hardware to 8.5 ft-lbs.



**INSTALLATION COMPLETE**



**CARE INSTRUCTIONS**

- REGULAR WAXING IS RECOMMENDED. DO NOT USE ANY TYPE OF POLISH OR WAX THAT MAY CONTAIN ABRASIVES.
- STAINLESS STEEL PRODUCTS CAN BE CLEANED WITH MILD SOAP AND WATER. STAINLESS STEEL POLISH SHOULD BE USED TO POLISH SMALL SCRATCHES.
- GLOSS BLACK FINISHES SHOULD BE CLEANED WITH MILD SOAP AND WATER.

**WESTIN** Westin Automotive Products, Inc.  
320 W. Covina Blvd  
San Dimas, Ca. 91773

**Thank you for choosing Westin products  
for additional installation assistance please call  
Customer Service (800) 793-7846  
[www.westinautomotive.com](http://www.westinautomotive.com)**



## WARNING



Failure to follow these instructions could lead to death, personal injury, and / or property damage.

Failure to follow these instructions could lead to death, personal injury, and / or property damage.

### FASTENERS:

All Westin supplied fasteners must be utilized and installed in accordance with the installation instructions and apply torque to the specifications as defined. **DOUBLE CHECK ALL FASTENERS BEFORE INITIAL USE, AND PERIODICALLY IN THE FUTURE TO ENSURE PROPER FUNCTION AND SAFETY.**

### DRILLING:

Most Westin products do not require drilling for installation. If drilling is defined as required, use caution when drilling a vehicle. **FAILURE TO REVIEW AN AREA TO BE DRILLED MAY RESULT IN PERSONAL INJURY AND/OR INJURY TO OTHERS AS WELL AS VEHICLE DAMAGE.**

### EYE PROTECTION:

**ALWAYS WEAR SAFETY GLASSES OR GOGGLES DURING THE INSTALLATION PROCESS TO AVOID PERSONAL INJURY.**

### MAXIMUM TOWING/CARRYING CAPACITY: (if applicable)

The Westin Receiver Hitches will have a visible tow rating label affixed directly on the product. User should never exceed the vehicle manufacturers maximum tow and weight rating regardless of the capacity of the hitch. **FAILURE TO FOLLOW THESE GUIDELINES WILL VOID THE WESTIN WARRANTY AND MAY RESULT IN PERSONAL INJURY AND/OR INJURY TO OTHERS AS WELL AS VEHICLE DAMAGE.**

### FOR CALIFORNIA RESIDENTS ONLY-PROP 65 WARNING:

Some products may contain chemicals such as DEHP, which can cause cancer, birth defects or other reproductive harm. For more info go to [www.p65warnings.ca.gov](http://www.p65warnings.ca.gov)



Westin Automotive Products, Inc.  
320 W. Covina Blvd  
San Dimas, Ca. 91773

Thank you for choosing Westin products  
for additional installation assistance please call  
Customer Service (800) 793-7846  
[www.westinautomotive.com](http://www.westinautomotive.com)