

INSTALLATION INSTRUCTIONS

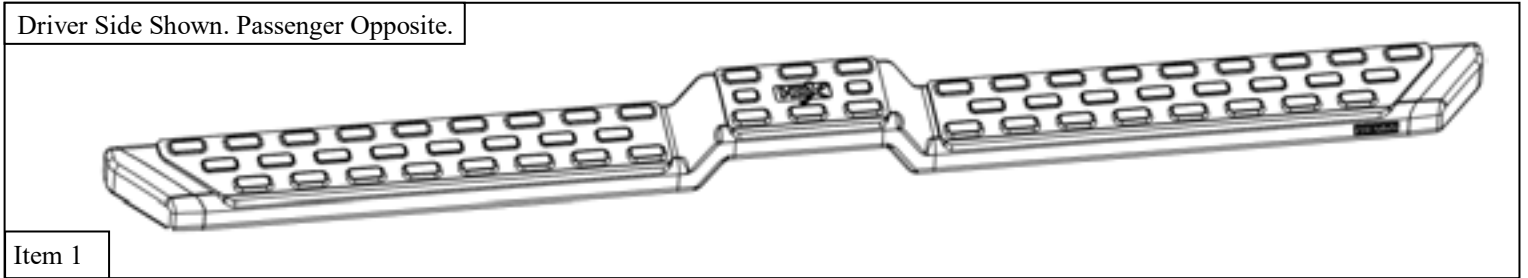
HDX RUNNING BOARDS

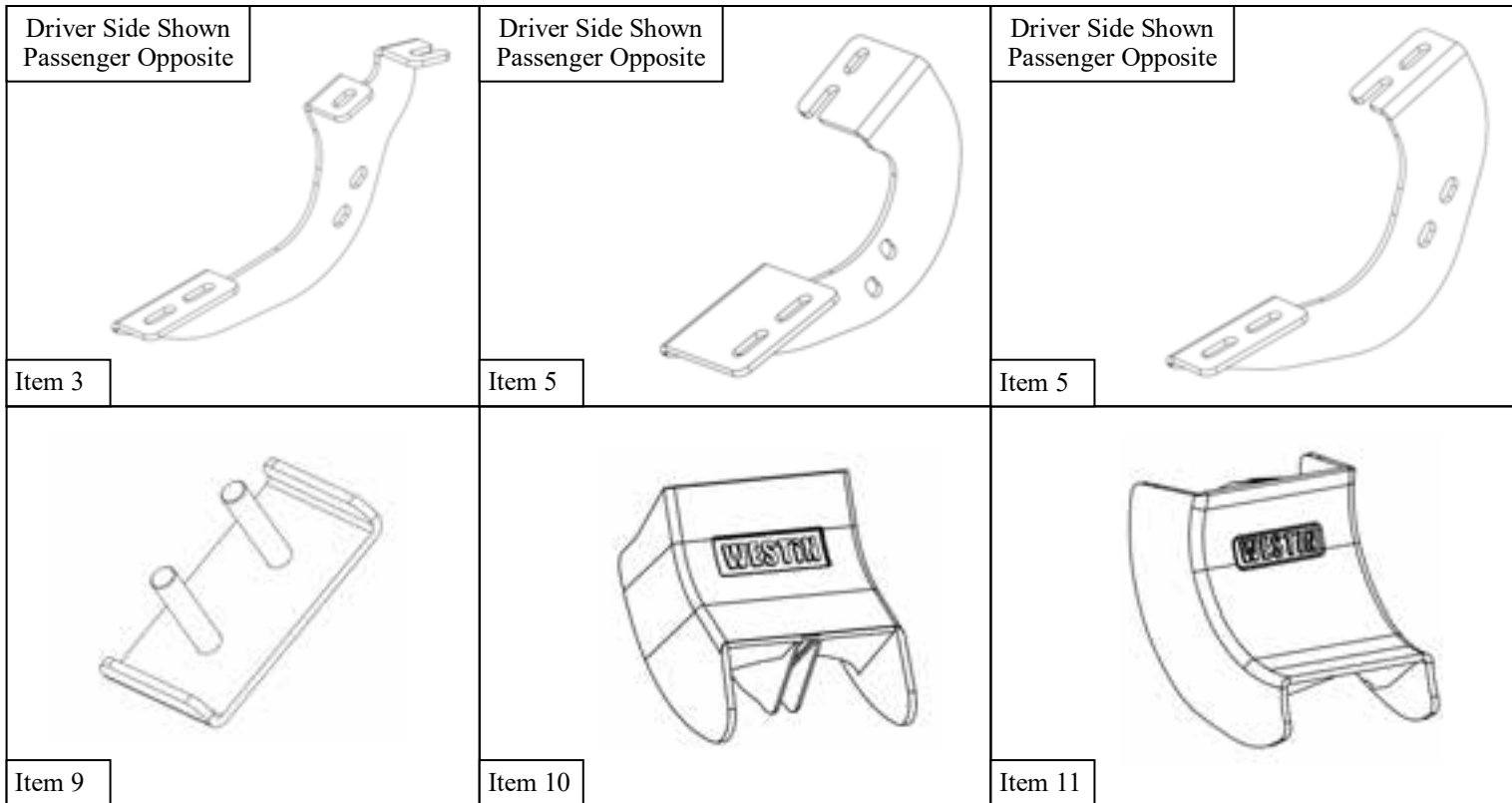


APPLICATION:
2024 TOYOTA TACOMA DOUBLE CAB
PART NUMBER:
55-32785

CONTENT			
ITEM	QUANTITY	DESCRIPTION	TOOLS NEEDED
1	1	DRIVER STEP BAR	13MM SOCKET
2	1	PASSENGER STEP BAR	13MM WRENCH
3	1	FRONT DRIVER MOUNTING BRACKET	15MM SOCKET
4	1	FRONT PASSENGER MOUNTING BRACKET	15MM WRENCH
5	1	CENTER DRIVER MOUNTING BRACKET	RATCHET
6	1	CENTER PASSENGER MOUNTING BRACKET	TORQUE WRENCH
7	1	REAR DRIVER MOUNTING BRACKET	
8	1	REAR PASSENGER MOUNTING BRACKET	
9	6	ADAPTER PLATE	
10	2	SMALL BRACKET COVER	
11	4	LARGE BRACKET COVER	
12	12	M6 HEX HEAD CAP SCREW (YELLOW ZINC)	
13	24	M6 FLAT WASHER (YELLOW ZINC)	
14	12	M6 NYLON LOCK NUT (YELLOW ZINC)	
15	12	M8 HEX HEAD BOLT (YELLOW ZINC)	
16	12	M8 SPLIT LOCK WASHER (YELLOW ZINC)	
17	12	M8 FLAT WASHER (YELLOW ZINC)	
18	12	M8 HEX NUT (BLACK ZINC)	
19	12	M8 SPLIT LOCK WASHER (BLACK ZINC)	
20	12	M8 FLAT WASHER (BLACK ZINC)	

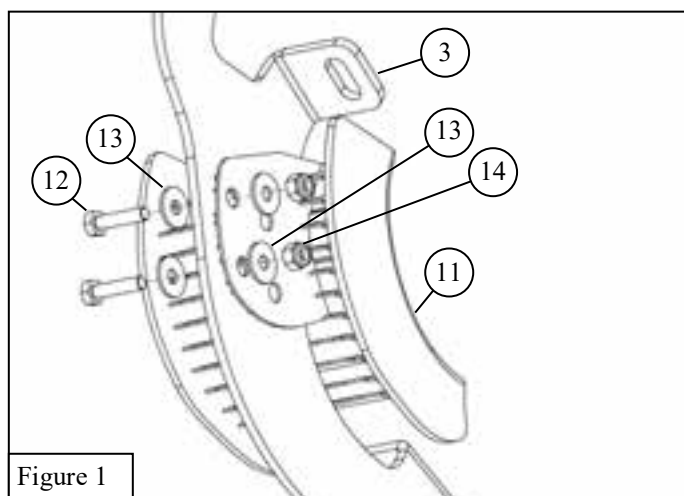
ANTI-SEIZE LUBRICANT MUST BE USED ON ALL STAINLESS STEEL FASTENERS TO PREVENT THREAD DAMAGE AND GALLING





PROCEDURE

1. Remove contents from box, verify that all parts listed are present and free from damage. Carefully read and understand all instructions before attempting installation.
Failure to identify damage before installation could lead to a rejection of any claim.
2. Loosely install the Large Bracket Covers (**item 11**) onto the Front Mounting Brackets (**items 3 and 4**) and Rear Mounting Brackets (**items 7 and 8**) using the M6 hardware (**items 12-14**). See **Figure 1**.
3. Loosely install the Small Bracket Covers (**item 10**) onto the Center Mounting Brackets (**items 5 and 6**) using the M6 hardware (**items 12-14**). See **Figure 1**.



4. Locate the front mounting holes on the driver side of the vehicle and remove the factory bolts.
5. Loosely install the Front Driver Mounting Bracket (**item 3**) using the M8 hardware (**items 15-17**). See **Figure 2**.



6. Remove the factory hardware from the center and rear mounting holes.
7. Loosely install the Center Driver Mounting Bracket (**item 5**) in the center mounting location using the M8 hardware (**items 15-17**). See **Figure 3**.
8. Loosely install the Rear Driver Mounting Bracket (**item 7**) in the rear mounting location using the M8 hardware (**items 15-17**). See **Figure 4**.



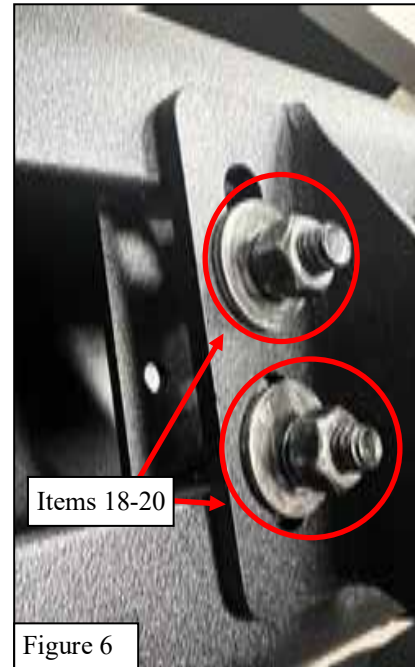
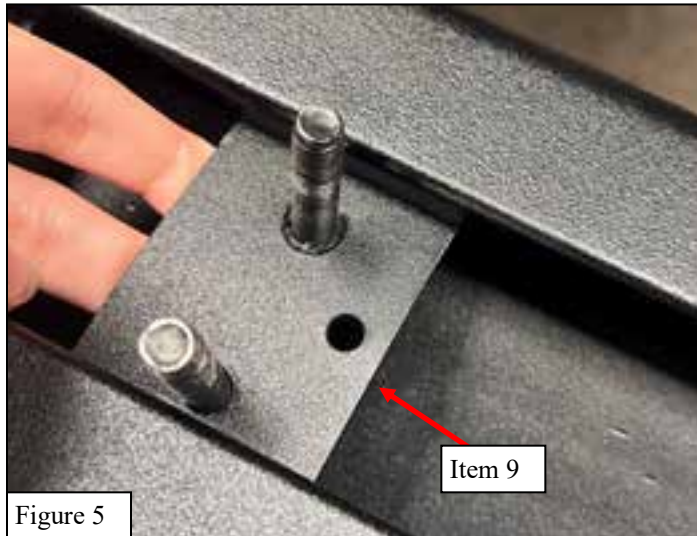
9. Insert the Adapter Plates (**item 9**) into Step Bars (**items 1 and 2**) by first putting them in parallel to the board, then turning them 90 degrees to be perpendicular to the board. Make sure the plate hooks onto the bottom of the bracket, and the screws are facing outwards. See **Figure 5**.

Note: Put 2 adapter plates in the front side and 1 in the back.

10. Install the running boards onto the previously installed brackets using the supplied M8 hardware (**items 18-20**). See **Figure 6**.

Note: Make sure the plate adapters align with the brackets to attach the board to the mounting brackets.

11. Align the step bars and brackets to desired positioning and tighten hardware to the following specifications: M8 hardware to 20ft-lbs and M6 hardware to 7.4 ft-lbs.



INSTALLATION COMPLETE



Note: EXP Truck Cap and Mesa Roof Rack Sold Separately

CARE INSTRUCTIONS

- REGULAR WAXING IS RECOMMENDED. DO NOT USE ANY TYPE OF POLISH OR WAX THAT MAY CONTAIN ABRASIVES.
- STAINLESS STEEL PRODUCTS CAN BE CLEANED WITH MILD SOAP AND WATER. STAINLESS STEEL POLISH SHOULD BE USED TO POLISH SMALL SCRATCHES.
- GLOSS BLACK FINISHES SHOULD BE CLEANED WITH MILD SOAP AND WATER.

WESTIN Westin Automotive Products, Inc.
320 W. Covina Blvd
San Dimas, Ca. 91773

Thank you for choosing Westin products
for additional installation assistance please call
Customer Service (800) 793-7846
www.westinautomotive.com



WARNING



Failure to follow these instructions could lead to death, personal injury, and / or property damage.

Failure to follow these instructions could lead to death, personal injury, and / or property damage.

FASTENERS:

All Westin supplied fasteners must be utilized and installed in accordance with the installation instructions and apply torque to the specifications as defined. **DOUBLE CHECK ALL FASTENERS BEFORE INITIAL USE, AND PERIODICALLY IN THE FUTURE TO ENSURE PROPER FUNCTION AND SAFETY.**

DRILLING:

Most Westin products do not require drilling for installation. If drilling is defined as required, use caution when drilling a vehicle. **FAILURE TO REVIEW AN AREA TO BE DRILLED MAY RESULT IN PERSONAL INJURY AND/OR INJURY TO OTHERS AS WELL AS VEHICLE DAMAGE.**

EYE PROTECTION:

ALWAYS WEAR SAFETY GLASSES OR GOGGLES DURING THE INSTALLATION PROCESS TO AVOID PERSONAL INJURY.

MAXIMUM TOWING/CARRYING CAPACITY: (if applicable)

The Westin Receiver Hitches will have a visible tow rating label affixed directly on the product. User should never exceed the vehicle manufacturers maximum tow and weight rating regardless of the capacity of the hitch. **FAILURE TO FOLLOW THESE GUIDELINES WILL VOID THE WESTIN WARRANTY AND MAY RESULT IN PERSONAL INJURY AND/OR INJURY TO OTHERS AS WELL AS VEHICLE DAMAGE.**

FOR CALIFORNIA RESIDENTS ONLY-PROP 65 WARNING:

Some products may contain chemicals such as DEHP, which can cause cancer, birth defects or other reproductive harm. For more info go to www.p65warnings.ca.gov



Westin Automotive Products, Inc.
320 W. Covina Blvd
San Dimas, Ca. 91773

Thank you for choosing Westin products
for additional installation assistance please call
Customer Service (800) 793-7846
www.westinautomotive.com