

INSTALLATION INSTRUCTIONS

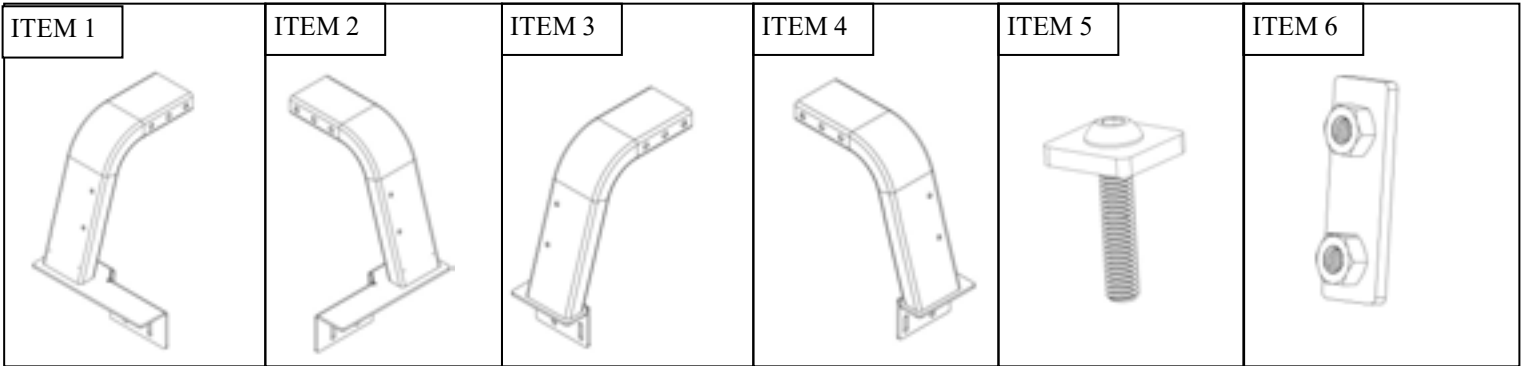
OVERLAND CARGO RACK: BASE KIT



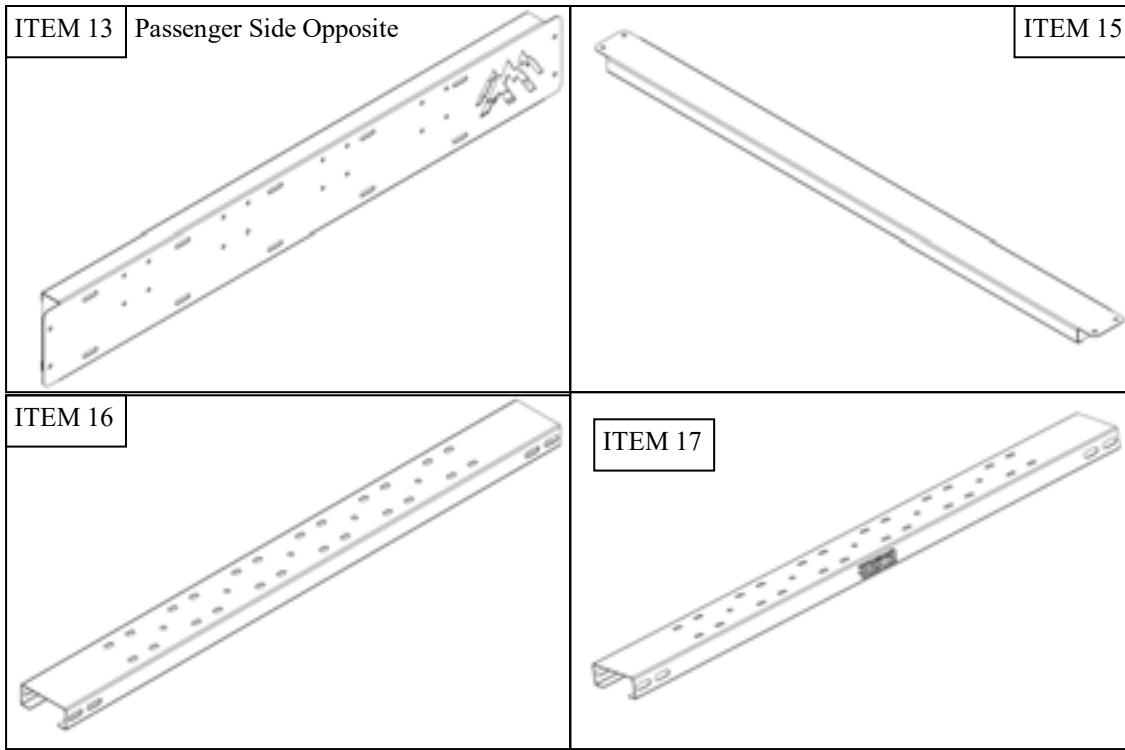
APPLICATION:
2020-2024 Jeep Gladiator
PART NUMBER:
51-20005

Kit Number (Gladiator): 51-10005

CONTENT			
	QUANTITY	DESCRIPTION	TOOLS NEEDED
<u>BASE KIT PARTS: ITEMS 1-12</u>			13MM SOCKET
1	1	FRONT DRIVER UPRIGHT	13MM WRENCH
2	1	FRONT PASSENGER UPRIGHT	ALLEN
3	1	REAR DRIVER UPRIGHT	RATCHET
4	1	REAR PASSENGER UPRIGHT	TORQUE WRENCH
5	8	M8 BOLT PLATE	
6	8	M10 DOUBLE NUT PLATE	
7	16	M10 BUTTON HEAD BOLT	
8	16	M10 FLAT WASHER	
9	16	M8 BUTTON HEAD BOLT	
10	16	M8 FLAT WASHER	
11	16	M8 SERRATED FLANGE NUT	
12	8	M8 POLY RETAINER SQUARE	
<u>RAIL KIT PARTS: ITEMS 13-17</u>			
13	1	DRIVER SIDE BAR	
14	1	PASSENGER SIDE BAR	
15	2	TOP SUPPORT BAR	
16	1	FRONT SPANNER BAR	
17	1	REAR SPANNER BAR	
ANTI-SEIZE LUBRICANT MUST BE USED ON ALL STAINLESS STEEL FASTENERS TO PREVENT THREAD DAMAGE AND GALLING			

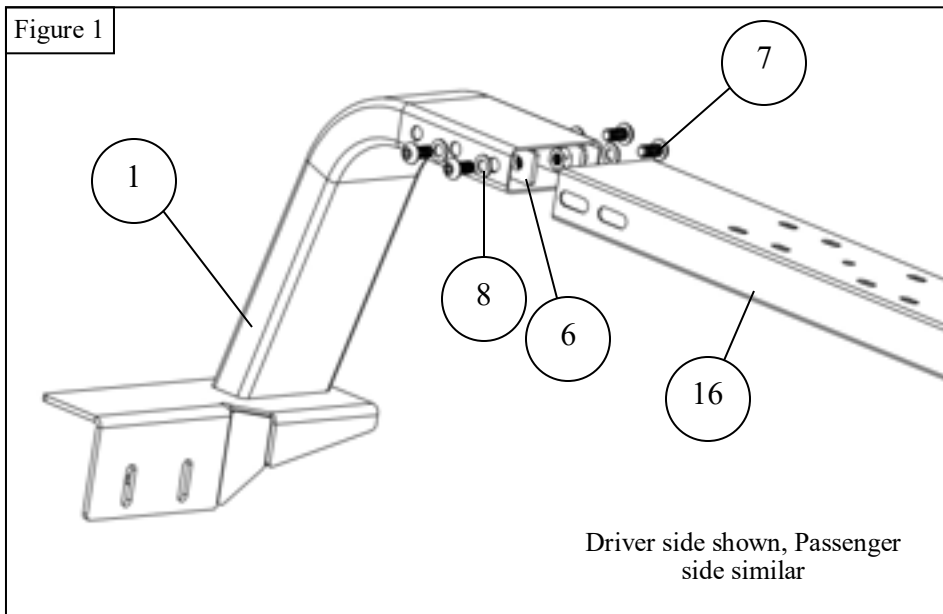


NOTICE: INSTALLATION REQUIRES THE USE OF JEEP TRAIL RAIL SYSTEM

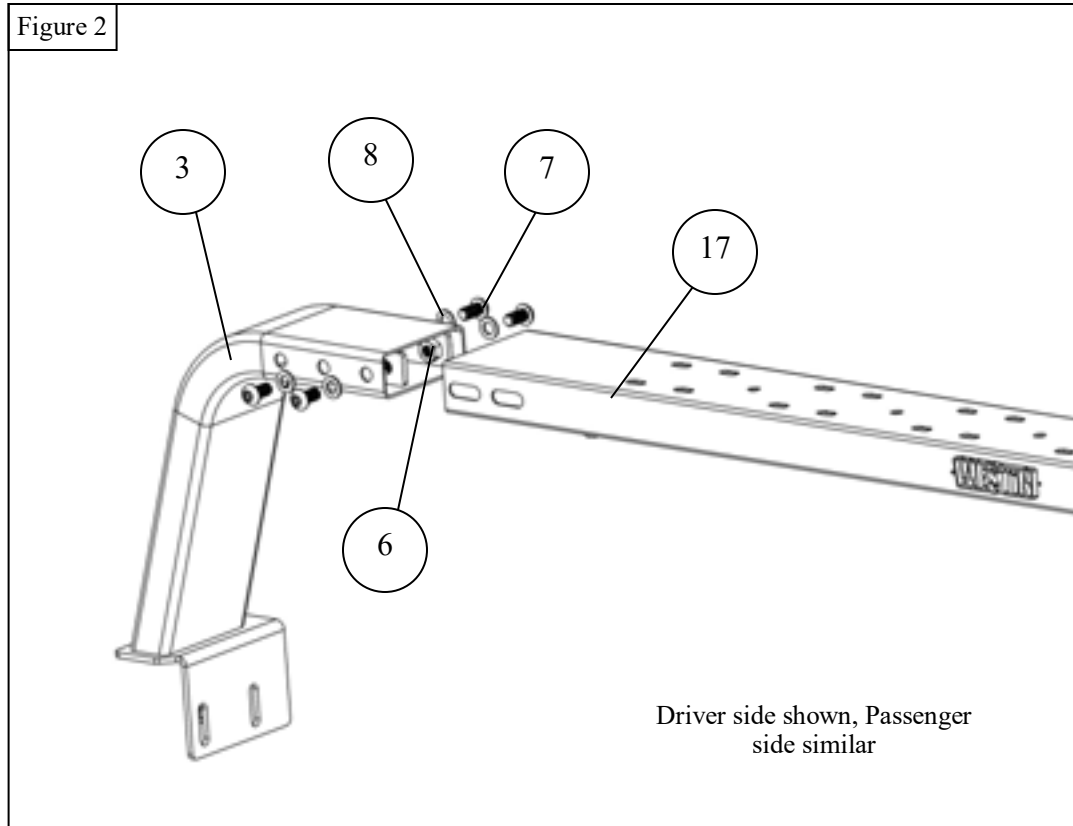


PROCEDURE

1. Remove contents from box, verify if all parts listed are present and free from damage. Carefully read and understand all instructions before attempting installation. **Failure to identify damage before installation could lead to a rejection of any claim.**
2. Locate the front driver upright (1), front passenger upright (2), and the front spanner bar (16). Using M10 hardware and M10 double nut plates, loosely assemble the front portion of the rack. **See Figure 1**



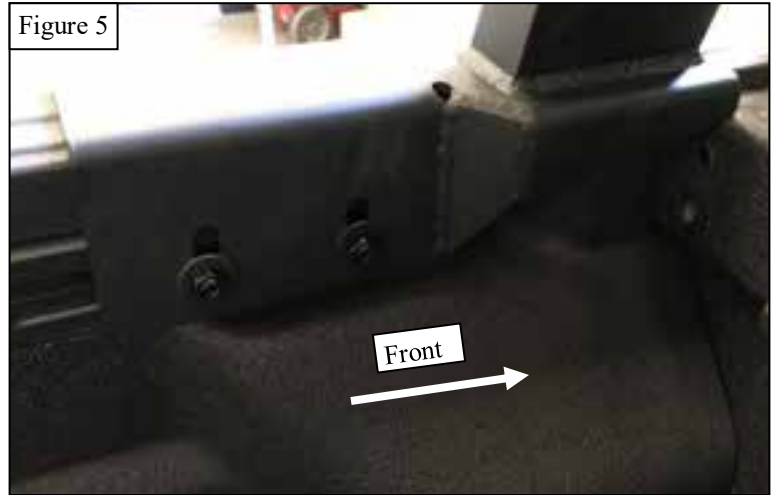
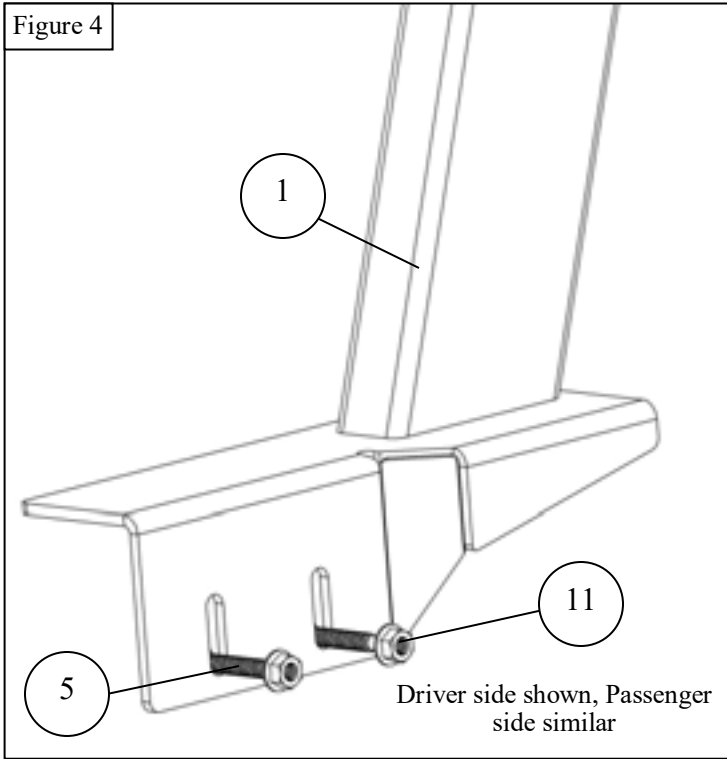
3. Locate the rear driver upright (3), Rear passenger upright (4), and the rear spanner bar (17). Using M10 hardware and M10 double nut plates, loosely assemble the rear portion of the rack. See **Figure 2**



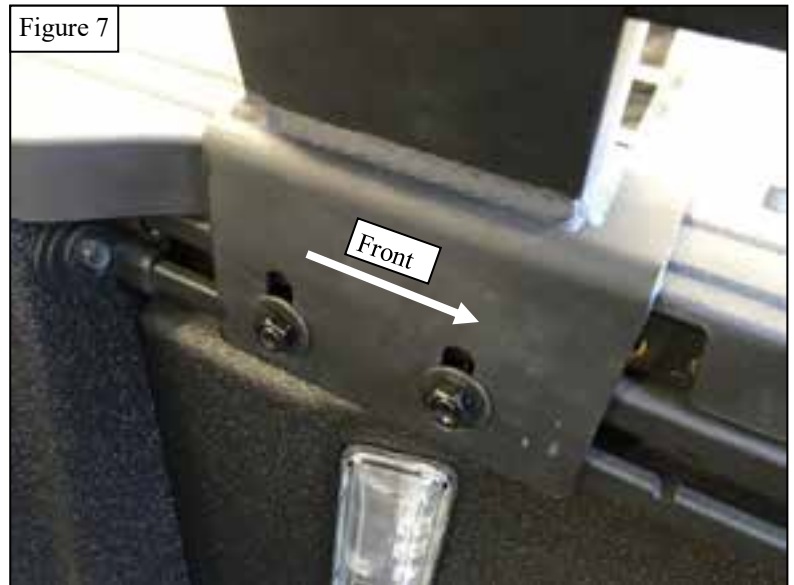
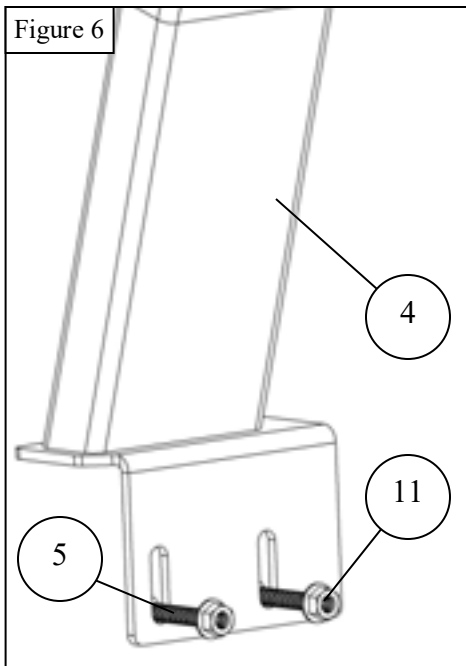
4. Slide in 4 of the supplied M8 bolt plates into each of the rails. Using M8 plastic retainer squares to hold the bolt plates in place, align the bolt plates on each end of the rails. See **Figure 3**



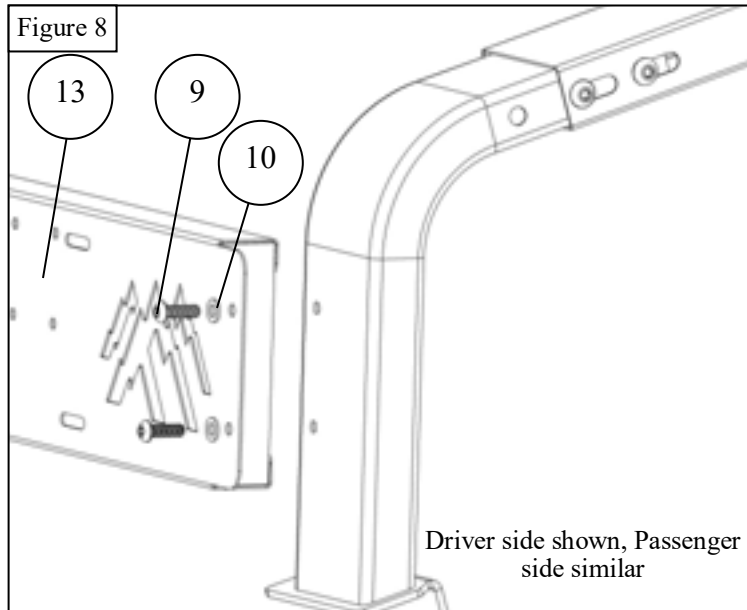
5. With assistance, loosely install the front assembly near the cab using M8 hardware. See Figures 4-5



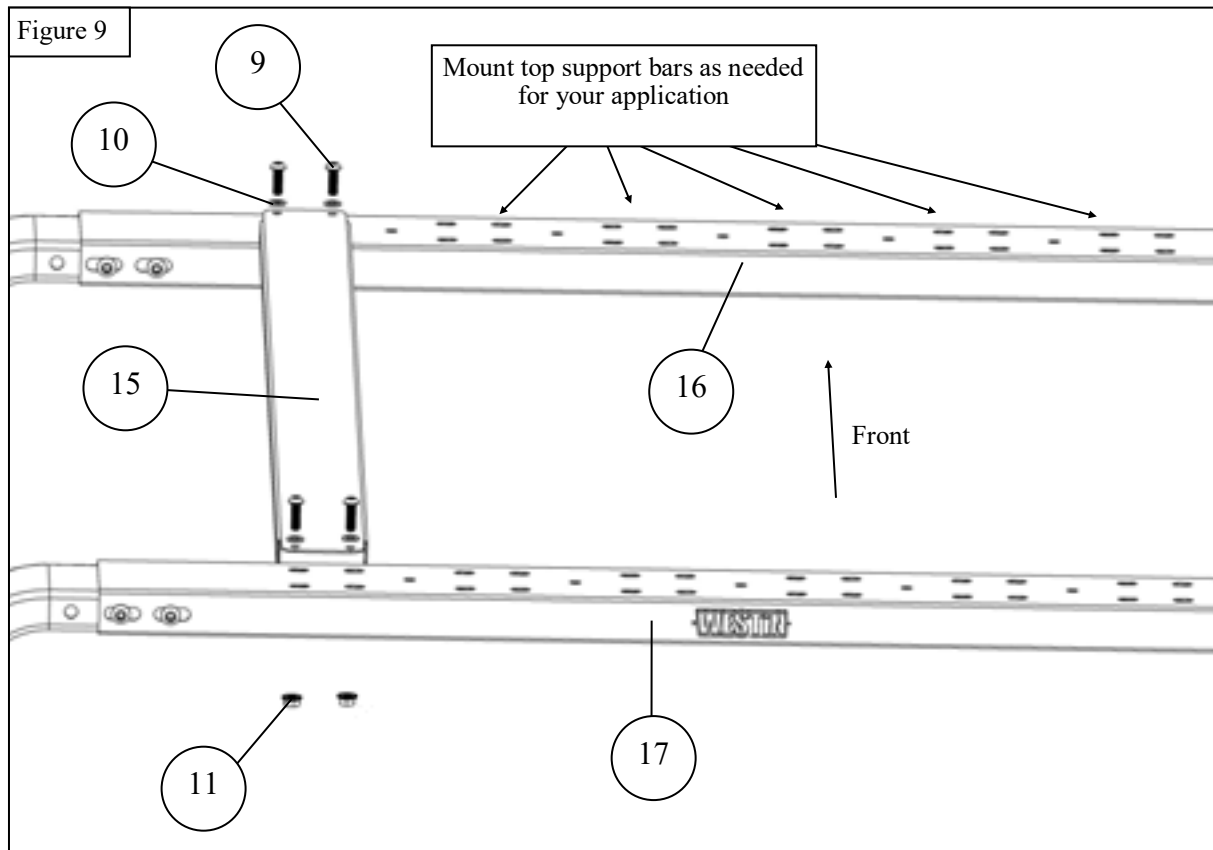
6. With assistance, loosely install the rear assembly near the cab using M8 hardware. See Figures 6-7



7. Using M8 hardware, loosely assemble the driver and passenger side bars on to the rack assembly. See **Figure 8**



8. Using M8 hardware, mount the 2 top support brackets to the rack assembly. **Note: The top support bars can be aligned as needed for your application.** See **Figure 9**



9. Align rack as necessary and torque hardware as specified: M8 to 15-18 ft- lbs, M10 to 35-40 ft-lbs.
10. The Overland Cargo Rack is designed to hold specific aftermarket accessories for the off road enthusiast, including roof top tents. Please see manufacture's installation instructions for mounting other accessories.

INSTALLATION COMPLETE



CARE INSTRUCTIONS

- REGULAR WAXING IS RECOMMENDED. DO NOT USE ANY TYPE OF POLISH OR WAX THAT MAY CONTAIN ABRASIVES.
- STAINLESS STEEL PRODUCTS CAN BE CLEANED WITH MILD SOAP AND WATER. STAINLESS STEEL POLISH SHOULD BE USED TO POLISH SMALL SCRATCHES.
- GLOSS BLACK FINISHES SHOULD BE CLEANED WITH MILD SOAP AND WATER.

WESTIN Westin Automotive Products, Inc.
320 W. Covina Blvd
San Dimas, Ca. 91773

Thank you for choosing Westin products
for additional installation assistance please call
Customer Service (800) 793-7846
www.westinautomotive.com



WARNING



Failure to follow these instructions could lead to death, personal injury, and / or property damage.

Failure to follow these instructions could lead to death, personal injury, and / or property damage.

FASTENERS:

All Westin supplied fasteners must be utilized and installed in accordance with the installation instructions and apply torque to the specifications as defined. **DOUBLE CHECK ALL FASTENERS BEFORE INITIAL USE, AND PERIODICALLY IN THE FUTURE TO ENSURE PROPER FUNCTION AND SAFETY.**

DRILLING:

Most Westin products do not require drilling for installation. If drilling is defined as required, use caution when drilling a vehicle. **FAILURE TO REVIEW AN AREA TO BE DRILLED MAY RESULT IN PERSONAL INJURY AND/OR INJURY TO OTHERS AS WELL AS VEHICLE DAMAGE.**

EYE PROTECTION:

ALWAYS WEAR SAFETY GLASSES OR GOGGLES DURING THE INSTALLATION PROCESS TO AVOID PERSONAL INJURY.

MAXIMUM TOWING/CARRYING CAPACITY: (if applicable)

The Westin Receiver Hitches will have a visible tow rating label affixed directly on the product. User should never exceed the vehicle manufacturers maximum tow and weight rating regardless of the capacity of the hitch. **FAILURE TO FOLLOW THESE GUIDELINES WILL VOID THE WESTIN WARRANTY AND MAY RESULT IN PERSONAL INJURY AND/OR INJURY TO OTHERS AS WELL AS VEHICLE DAMAGE.**

FOR CALIFORNIA RESIDENTS ONLY-PROP 65 WARNING:

Some products may contain chemicals such as DEHP, which can cause cancer, birth defects or other reproductive harm. For more info go to www.p65warnings.ca.gov



Westin Automotive Products, Inc.
320 W. Covina Blvd
San Dimas, Ca. 91773