



HYDRAULIC WINCH REPLACEMENT CONTROL BLOCK

PART NUMBER:

S106103 - SI 8000, 10000, 12000 and 15000
Hydraulic Winches

5060PRO-006 - H8P and H10P Winches



**SAVE THESE
INSTRUCTIONS**

CONTENTS

ITEM	QUANTITY	DESCRIPTION
1	1	CONTROL BLOCK ASSEMBLY
2	2	MOTOR SEAL
3	4	5/16" HEX HEAD BOLT
4	4	5/16" SPLIT LOCK WASHER
5*	1	90-DEGREE ELBOW
6*	1	BRAKE TUBE ASSEMBLY

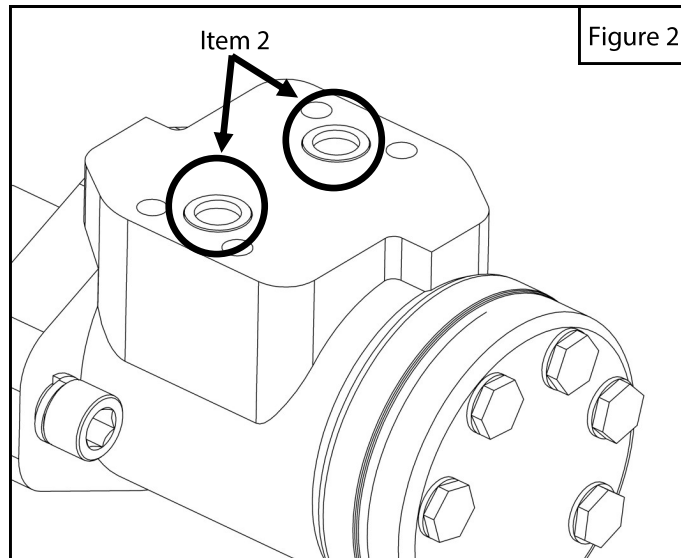
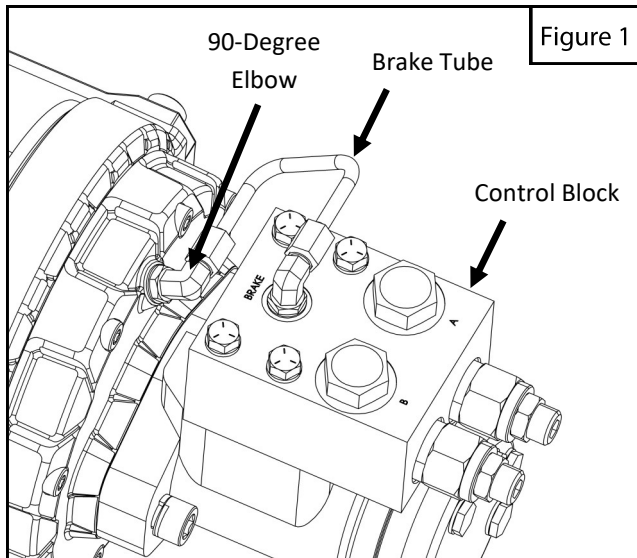
* Only included in S106103

ANTI-SEIZE LUBRICANT MUST BE USED ON ALL STAINLESS STEEL FASTENERS TO PREVENT THREAD DAMAGE AND GALLING

INSTALLATION (SI WINCHES)

1. Remove contents from box, verify if all parts listed are present and free from damage. **Failure to identify damage before installation could lead to a rejection of any claim.**
2. Carefully read and understand all instructions before attempting installation. **Ensure that all mounting hardware is torqued to specifications prior to use.**

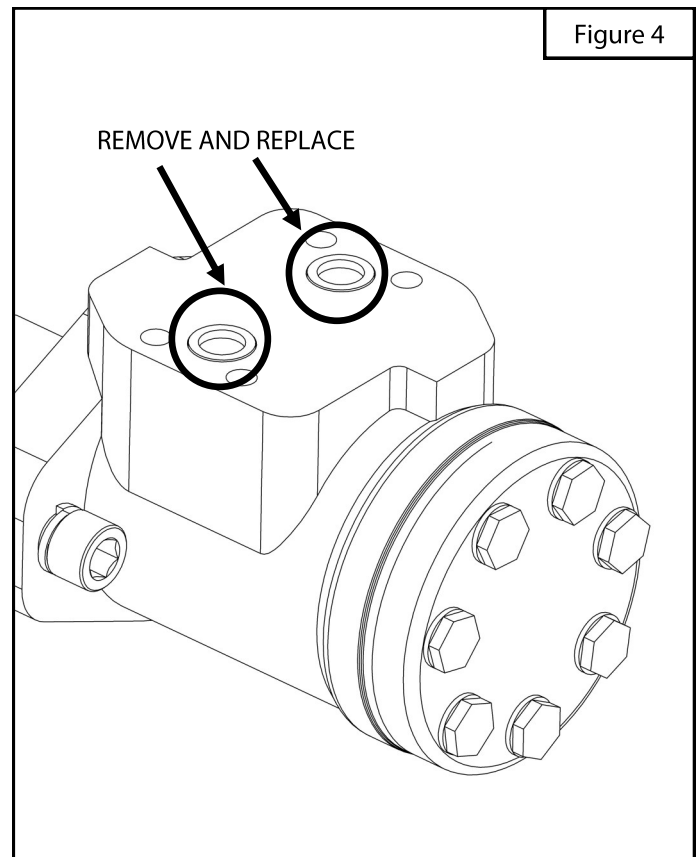
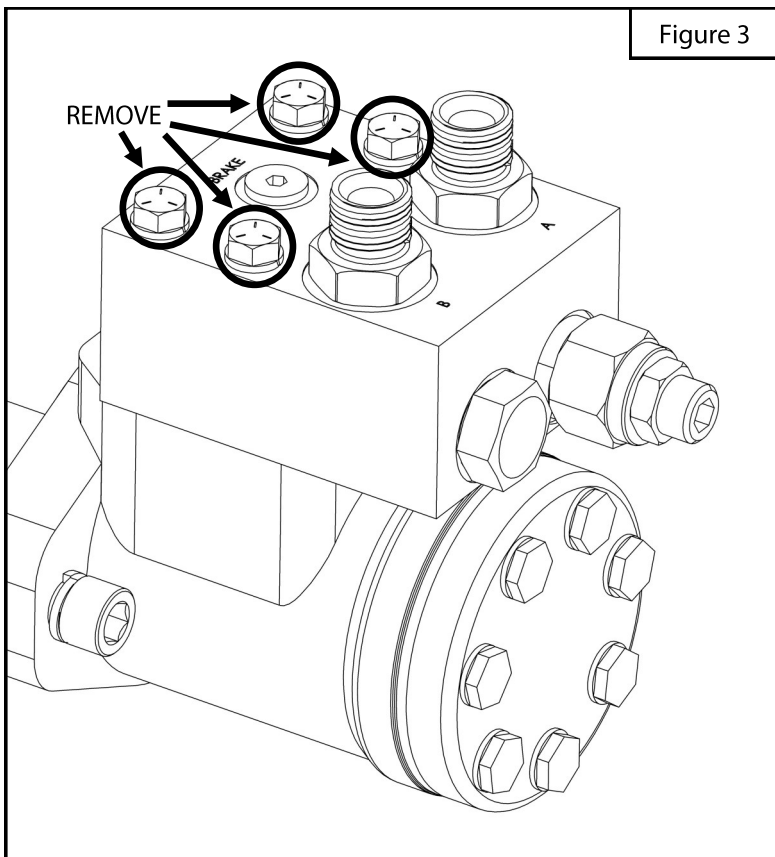
3. Remove the original brake tube. See **Figure 1**.
4. Remove the original control block assembly by removing the four hex head bolts holding it in place.
5. Remove and replace the motor seals (item 2). See **Figure 2**.
6. Remove and replace the 90-degree elbow (item 5) on the winch. See **Figure 1**.
7. Install the replacement brake tube (item 6) onto the 90-degree elbow on the winch. See **Figure 1**.
8. Install the replacement control block (item 1) using the included 5/16" hardware (items 3-4).
9. Attach the brake tube to the 90-degree elbow on the control block.



INSTALLATION (H8P/H10P Winches)

1. Remove contents from box, verify if all parts listed are present and free from damage. **Failure to identify damage before installation could lead to a rejection of any claim.**
2. Carefully read and understand all instructions before attempting installation. **Ensure that all mounting hardware is torqued to specifications prior to use.**

3. Remove the original control block assembly by removing the four hex head bolts holding it in place. See **Figure 3**.
4. Remove and replace the motor seals (item 2). See **Figure 4**.
5. Install the replacement control block (item 1) using the included 5/16" hardware (items 3-4).



Failure to follow these instructions could lead to death, personal injury, and / or property damage.

FASTENERS:

All SUPERWINCH supplied fasteners must be utilized and installed in accordance with the installation instructions and apply torque to the specifications as defined. DOUBLE CHECK ALL FASTENERS BEFORE INITIAL USE, AND PERIODICALLY IN THE FUTURE TO ENSURE PROPER FUNCTION AND SAFETY.

EYE PROTECTION:

ALWAYS WEAR SAFETY GLASSES OR GOGGLES DURING THE INSTALLATION PROCESS TO AVOID PERSONAL INJURY.

FOR CALIFORNIA RESIDENTS ONLY-PROP 65 WARNING:

Some products may contain chemicals such as DEHP, which can cause cancer, birth defects or other reproductive harm. For more info go to www.p65warnings.ca.gov



For more information on this and other products,
or to be put in contact with a Superwinch sales
rep or distributor, call (800) 323- 2031
or email info@superwinch.com

SUPERWINCH
320 W. COVINA BLVD.
SAN DIMAS, CA 91773

© 2019 SUPERWINCH®, Superwinch®, and S Superwinch® (design) are registered trademarks of Superwinch Inc. in the United States and/or other countries.