

# INSTALLATION INSTRUCTIONS



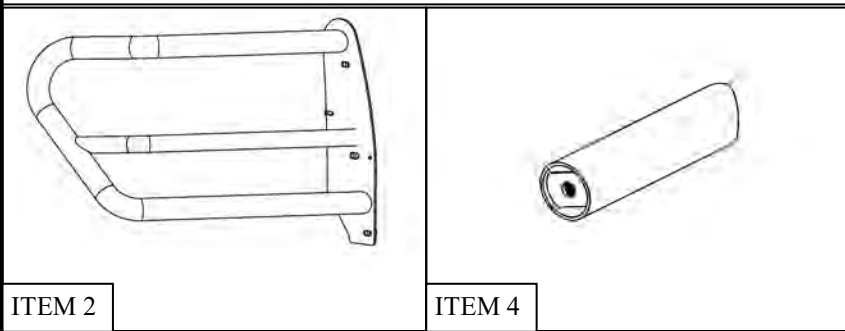
WING WRAP ELITE XD  
 APPLICATION:  
 SILVERADO PPV 23-24  
 PART NUMBER:  
 36-52135W

CONTENT			
ITEM	QUANTITY	DESCRIPTION	TOOLS NEEDED
1	1	DRIVER WING WRAP ELITE XD	
2	1	PASSENGER WING WRAP ELITE XD	
3	1	DRIVER WING WRAP SUPPORT BAR (WITH PIT BAR ONLY)	
4	1	PASSENGER WING WRAP SUPPORT BAR (WITH PIT BAR ONLY)	
5	4	M10 HEX SOCKET BUTTON HEAD BOLT	
6	4	M10 BELLVILLE WASHER	
7	4	M10 SERRATED FLANGE NUT	
8	2	M12 HEX SOCKET BUTTON HEAD BOLT	
9	2	M12 SERRATED FLANGE NUT	
10	2	M12 BELLVILLE WASER	
11	2	M6 HEX SOCKET BUTTON HEAD BOLT	
12	2	M6 SERRATED FLANGE NUT	
13	2	M6 FLAT WASHER	
14	2	M6 SPLIT LOCK WASHER	
15	2	M8 BELLVILE WASHER	
16	2	M8 HEX SOCKET BUTTON HEAD BOLT	
17	2	M8 FLANGE HEX HEAD BOLT	

**ANTI-SEIZE LUBRICANT MUST BE USED ON ALL STAINLESS STEEL FASTENERS TO PREVENT THREAD DAMAGE AND GALLING**

**Note: Must be installed with push bumper 36-52135**

**Note:  
 \*\*\*\* Vehicles with the optional safety package have front sensors that can only be disabled by adding the (KGU) Universal Vehicle Module (UVM) from GM. \*\*\*\***



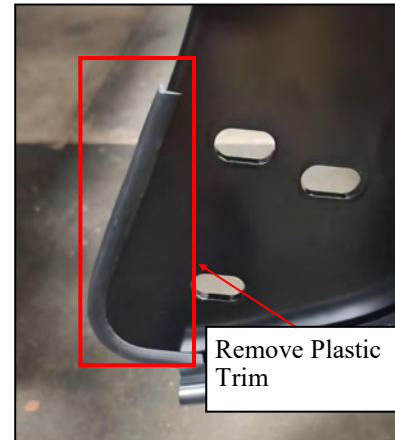
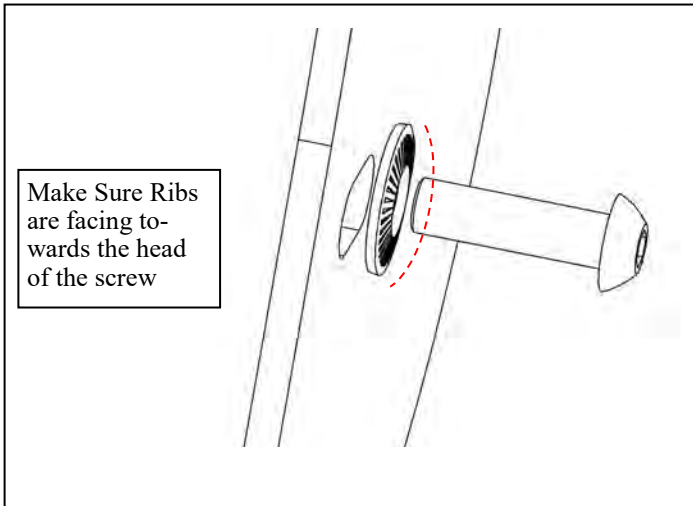
Westin Automotive Products, Inc.  
 320 W. Covina Blvd  
 San Dimas, Ca. 91773

Thank you for choosing Westin products  
 for additional installation assistance please call  
 Customer Service (800) 793-7846  
[www.westinautomotive.com](http://www.westinautomotive.com)

## PROCEDURE

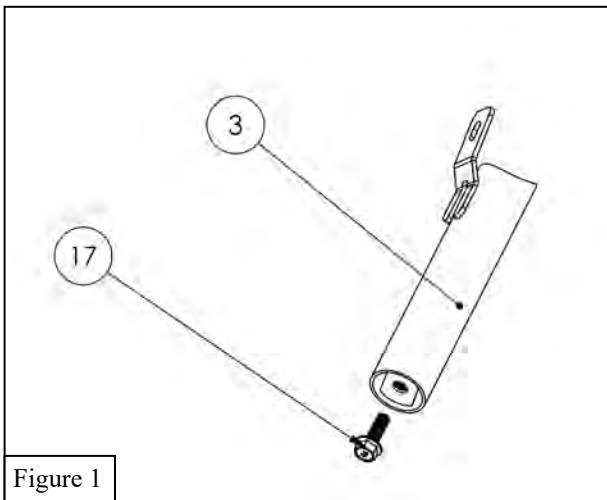
1. Remove contents from box, verify if all parts listed are present and free from damage. Carefully read and understand all instructions before attempting installation.  
**Failure to identify damage before installation could lead to a rejection of any claim.**

- See **Figure below** to see the placement of all Belville washers and their direction.
- Please remove all plastic lining that may come on the edges of Part. See **Figure below**

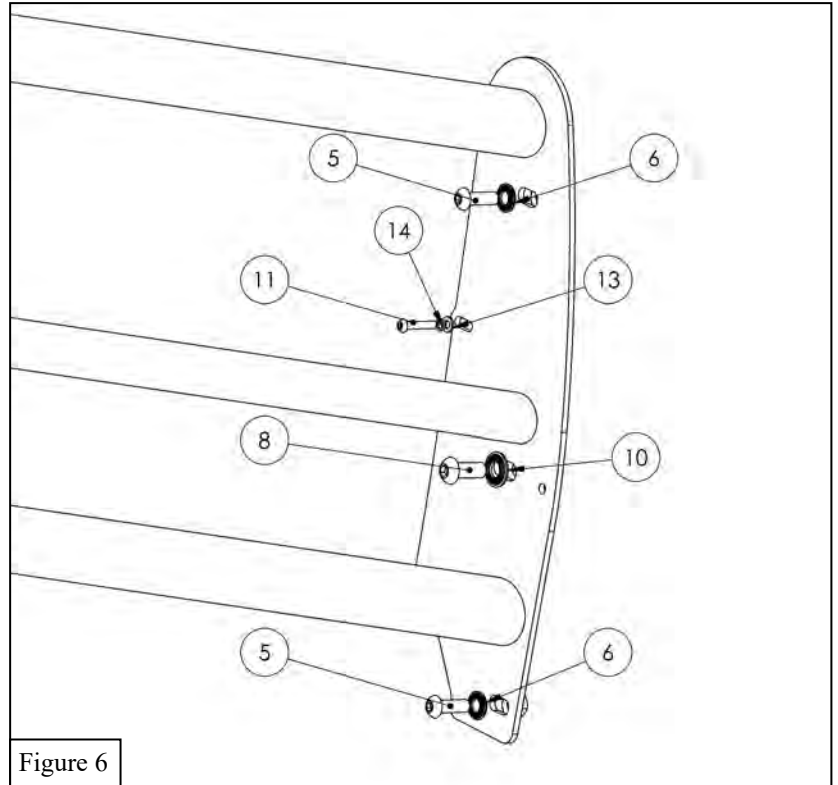
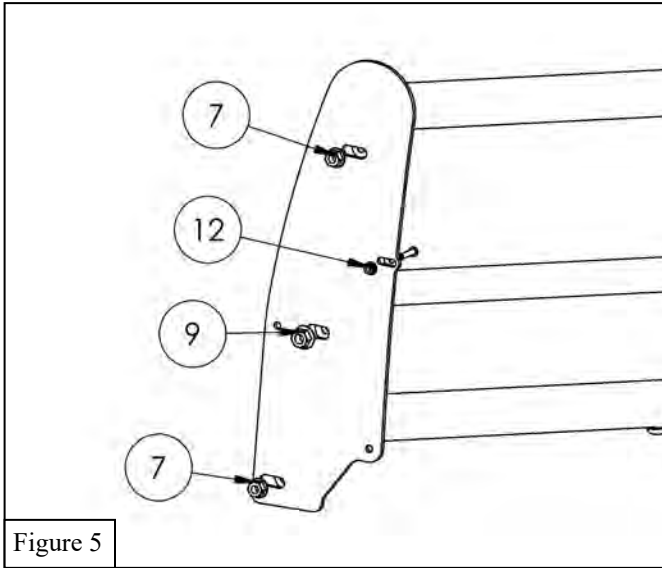


### Optional Step

2. If Pit Bar is being installed, install the Wing Wraps Support Bar (items 3 & 4) using the M8 Hex socket button head bolts hardware (Items 15 & 16). See **Figure 1**.
3. Once installed add gasket to the top part of Bar. See **Figure 2**.

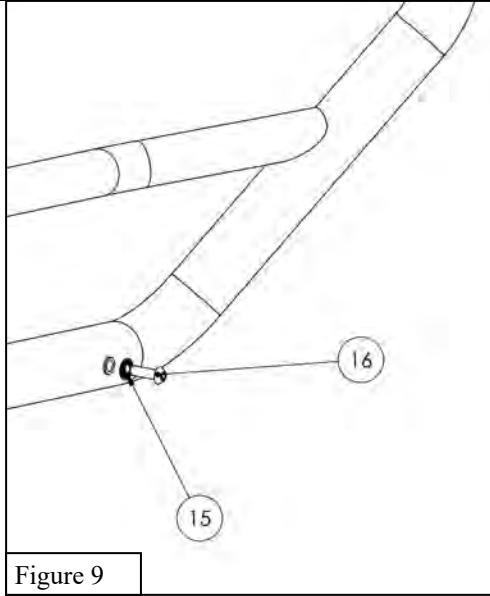


4. Mount the wing wraps using M10 Hex socket button head hardware (Items 5-7), M12 Hex socket button head Hardware (Items 8-10), and M6 Hex socket button head hardware (Items 11-14). See **Figure 5-8**.



### Optional Step

2. If Pit Bar is not installed insert a M8 Hex socket bottle head bolt and M10 Bellville washer (Items 15 & 16) in the open hole. See **Figure 9**.



### INSTALLATION COMPLETE

**Image shows: 36-52135w installed with 36-52135PB and 36-52135**



#### CARE INSTRUCTIONS

- REGULAR WAXING IS RECOMMENDED. DO NOT USE ANY TYPE OF POLISH OR WAX THAT MAY CONTAIN ABRASIVES.
- STAINLESS STEEL PRODUCTS CAN BE CLEANED WITH MILD SOAP AND WATER. STAINLESS STEEL POLISH SHOULD BE USED TO POLISH SMALL SCRATCHES.
- GLOSS BLACK FINISHES SHOULD BE CLEANED WITH MILD SOAP AND WATER.



## WARNING



Failure to follow these instructions could lead to death, personal injury, and / or property damage.

Failure to follow these instructions could lead to death, personal injury, and / or property damage.

### FASTENERS:

All Westin supplied fasteners must be utilized and installed in accordance with the installation instructions and apply torque to the specifications as defined. **DOUBLE CHECK ALL FASTENERS BEFORE INITIAL USE, AND PERIODICALLY IN THE FUTURE TO ENSURE PROPER FUNCTION AND SAFETY.**

### DRILLING:

Most Westin products do not require drilling for installation. If drilling is defined as required, use caution when drilling a vehicle. **FAILURE TO REVIEW AN AREA TO BE DRILLED MAY RESULT IN PERSONAL INJURY AND/OR INJURY TO OTHERS AS WELL AS VEHICLE DAMAGE.**

### EYE PROTECTION:

**ALWAYS WEAR SAFETY GLASSES OR GOGGLES DURING THE INSTALLATION PROCESS TO AVOID PERSONAL INJURY.**

### MAXIMUM TOWING/CARRYING CAPACITY: (if applicable)

The Westin Receiver Hitches will have a visible tow rating label affixed directly on the product. User should never exceed the vehicle manufacturers maximum tow and weight rating regardless of the capacity of the hitch. **FAILURE TO FOLLOW THESE GUIDELINES WILL VOID THE WESTIN WARRANTY AND MAY RESULT IN PERSONAL INJURY AND/OR INJURY TO OTHERS AS WELL AS VEHICLE DAMAGE.**

### FOR CALIFORNIA RESIDENTS ONLY-PROP 65 WARNING:

Some products may contain chemicals such as DEHP, which can cause cancer, birth defects or other reproductive harm. For more info go to [www.p65warnings.ca.gov](http://www.p65warnings.ca.gov)



Westin Automotive Products, Inc.  
320 W. Covina Blvd  
San Dimas, Ca. 91773

Thank you for choosing Westin products  
for additional installation assistance please call  
Customer Service (800) 793-7846  
[www.westinautomotive.com](http://www.westinautomotive.com)