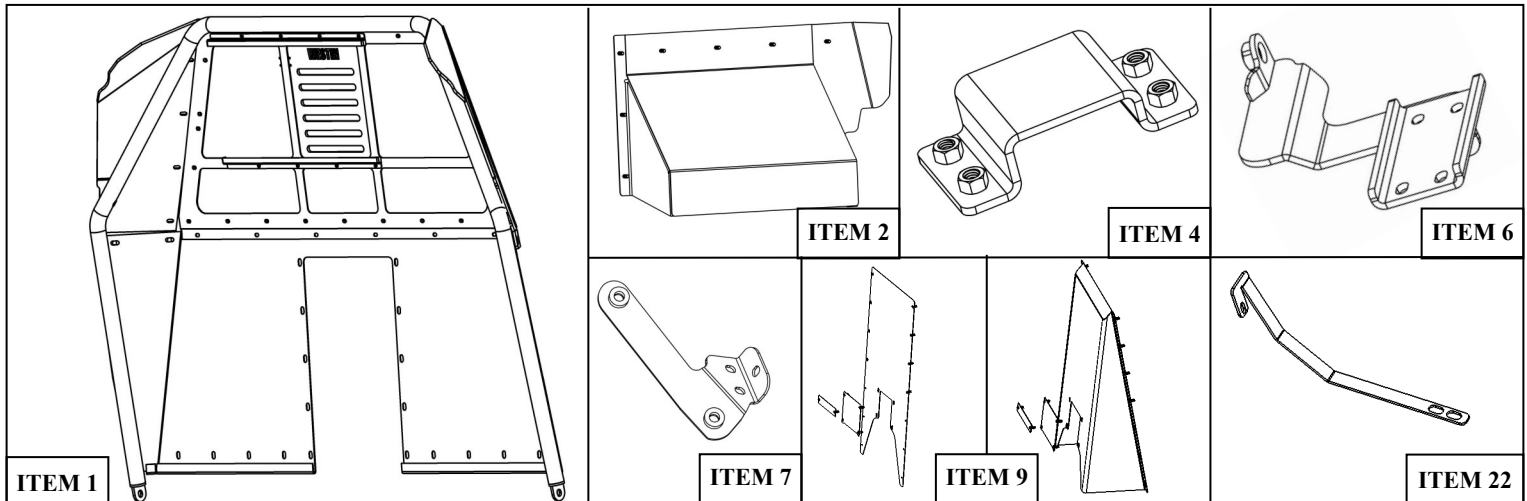




**INSTALLATION INSTRUCTIONS**  
**DEFENDER PIU PARTITION**  
**DEFENDER PIU PARTITION WITH RECESSED PANEL**  
**APPLICATION:**  
**2011-2017 Police Interceptor Utility**  
**PART NUMBER:**  
**35-20005**

ITEM	QUANTITY	DESCRIPTION	TOOLS NEEDED
1	1	PARTITION ASSEMBLY	14MM SOCKET
2, 3	2	FOOT POCKET, DRIVER (2) AND PASSENGER (3)	15MM SOCKET
4	2	CLAMP BRACKET	18MM SOCKET
5, 6	2	MOUNT BRACKET, DRIVER (5) AND PASSENGER (6)	UTILITY KNIFE
7, 8	2	UPPER MOUNT BRACKET, DRIVER (7) AND PASSENGER (8)	PRY TOOL
9	1	FLAT OR RECESSED PANEL W/ ACCESSORIES	ALLEN WRENCH
10	4	M6 LONG BUTTON HEAD BOLT (BLACK ZINC)	SOCKET EXT.
11	4	M6 SPLIT LOCK WASHER (BLACK ZINC)	RATCHET
12	6	M6 FLAT WASHER (BLACK ZINC)	TORQUE WRENCH
13	6	M8 BUTTON HEAD BOLT (BLACK ZINC)	
14	6	M8 SPLIT LOCK WASHER (BLACK ZINC)	
15	6	M8 FLAT WASHER (BLACK ZINC)	
16	8	M10 BUTTON HEAD BOLT (YELLOW ZINC)	
17	8	M10 SPLIT LOCK WASHER (YELLOW ZINC)	
18	8	M10 FLAT WASHER (YELLOW ZINC)	
19	2	M12 HEX HEAD SERRATED FLANGE BOLT (YELLOW ZINC)	
20	28	M6 FLANGE HEX NUTS (BLACK ZINC)	
21	2	M6 SHORT BUTTON HEAD BOLT (BLACK ZINC)	
22, 23	2	STRAP, DRIVER (22), PASSENGER (23)	

**ANTI-SEIZE LUBRICANT MUST BE USED ON ALL STAINLESS STEEL FASTENERS TO PREVENT THREAD DAMAGE AND GALLING**



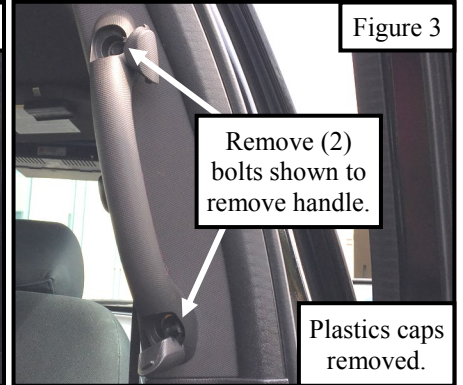
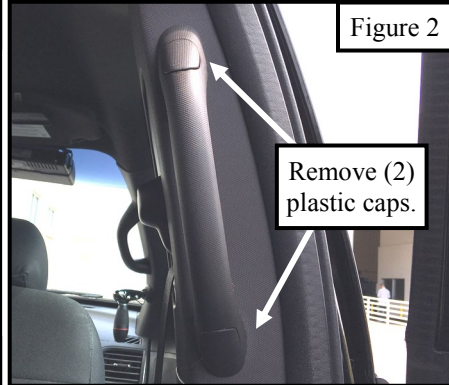
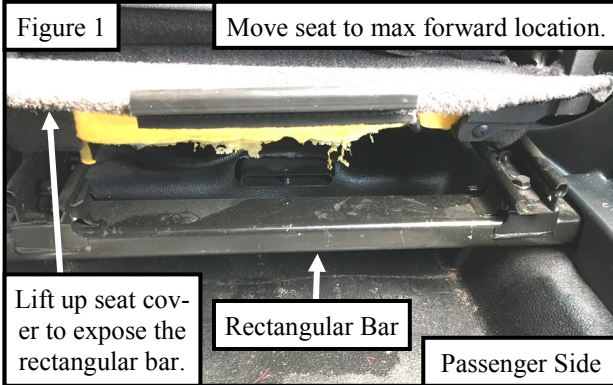
**INSTALLATION TIME: 15 - 20 MINUTES**

**WESTIN** Westin Automotive Products, Inc.  
 320 W. Covina Blvd  
 San Dimas, Ca. 91773

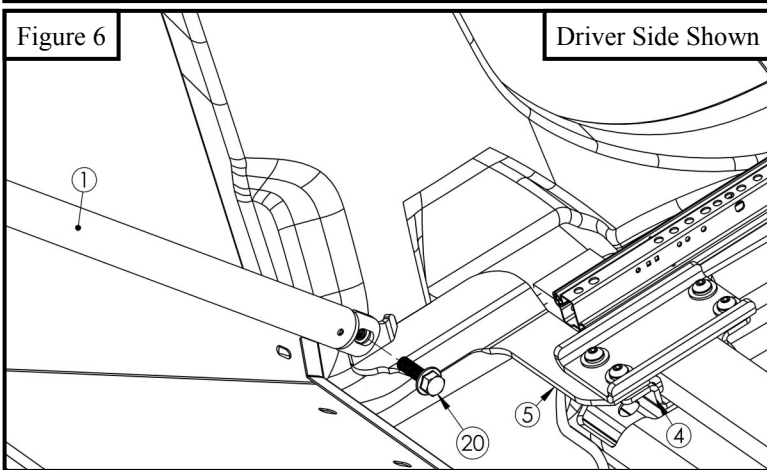
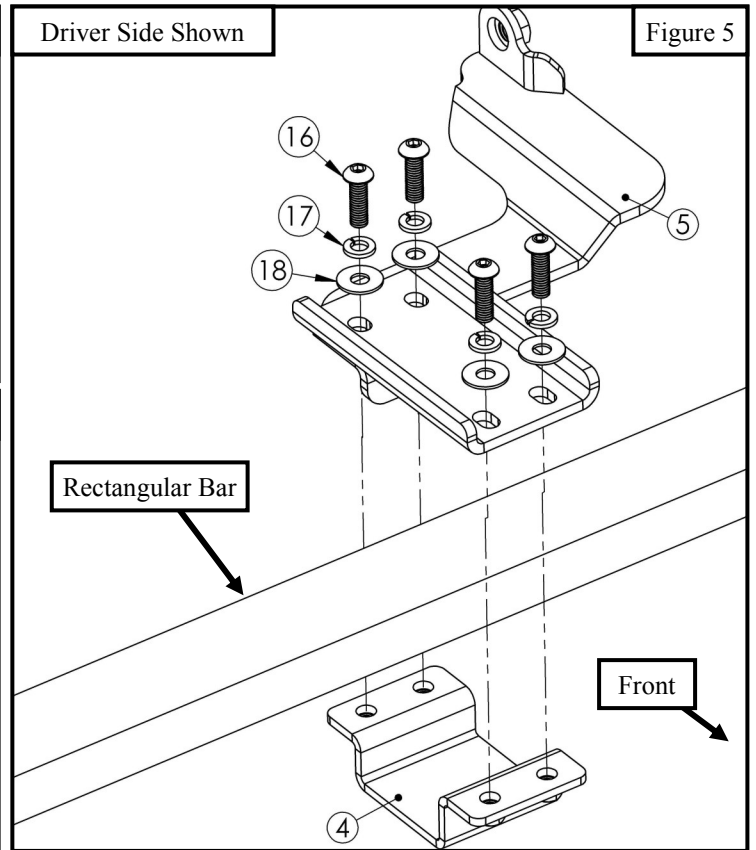
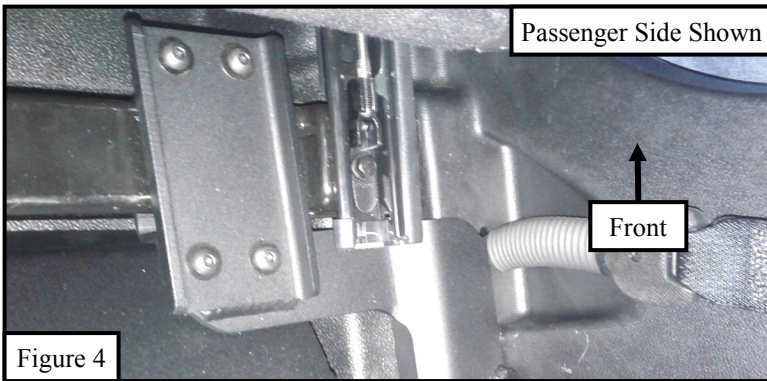
Thank you for choosing Westin products  
 for additional installation assistance please call  
 Customer Service (800) 793-7846

## PROCEDURE

1. Remove contents from box, verify if all parts listed are present and free from damage. Carefully read and understand all instructions before attempting installation.  
**Failure to identify damage before installation could lead to a rejection of any claim.**
2. Start installation by moving both front seats to their furthest front location to expose rectangular bar. See **Figure 1**.
3. Remove both rear passenger handles by removing (2) plastic caps to expose the (2) bolts underneath. Remove the bolts to remove both handles. See **Figures 2 and 3**.

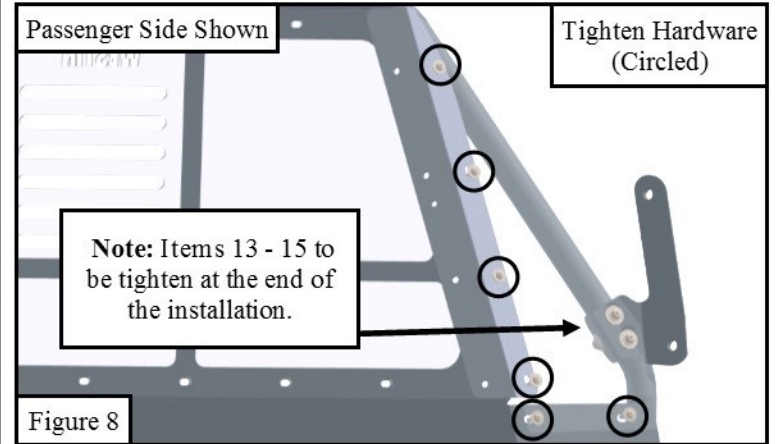
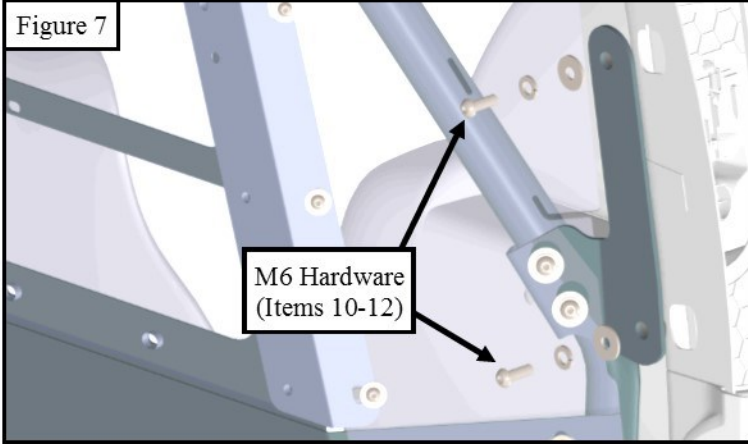


4. Starting on either side, locate (1) clamp bracket (Item 4) and (1) mount bracket (Item 5/6). Loosely secure onto the rectangular bar underneath the seat using the supplied M10 hardware (Items 16-18). See **Figures 4 and 5**. Repeat for other side.
5. Locate partition assembly (Item 1) and with assistance carefully insert into vehicle. Loosely secure onto the previously installed mount brackets (Items 5 and 6) using the provided M12 hex head serrated flange bolt (Item 19). See **Figure 6**.

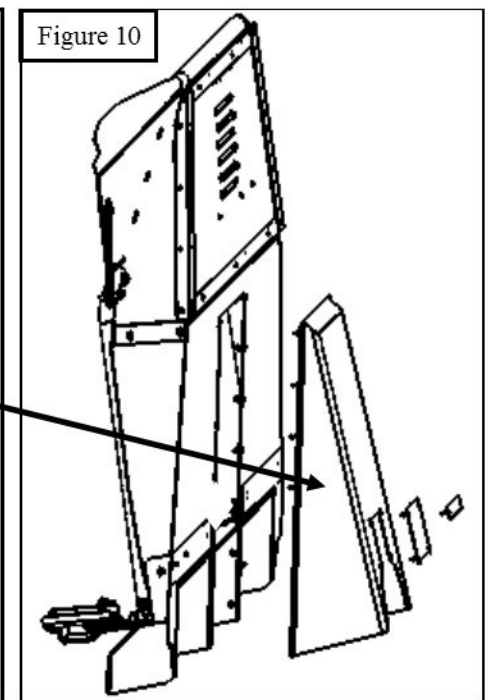
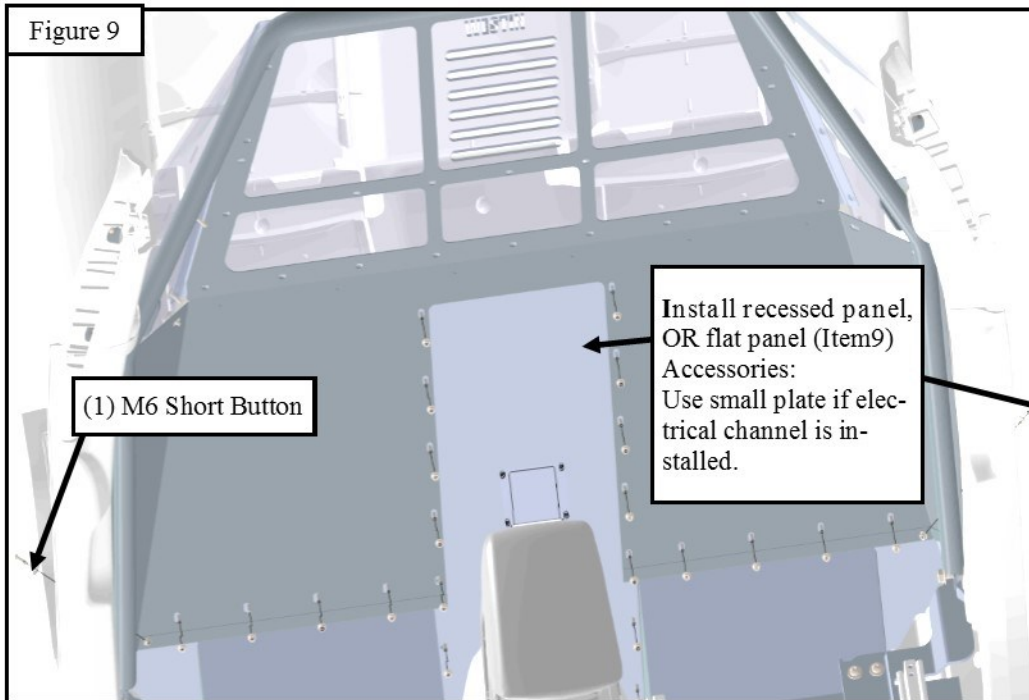




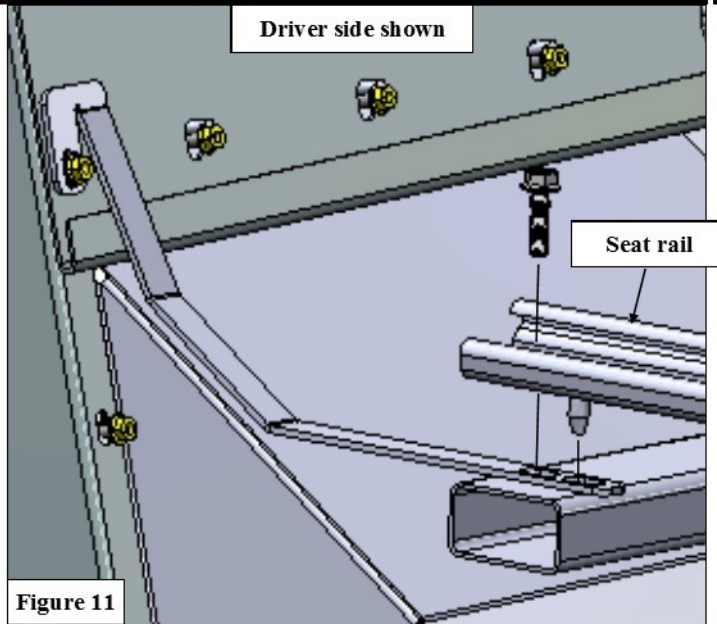
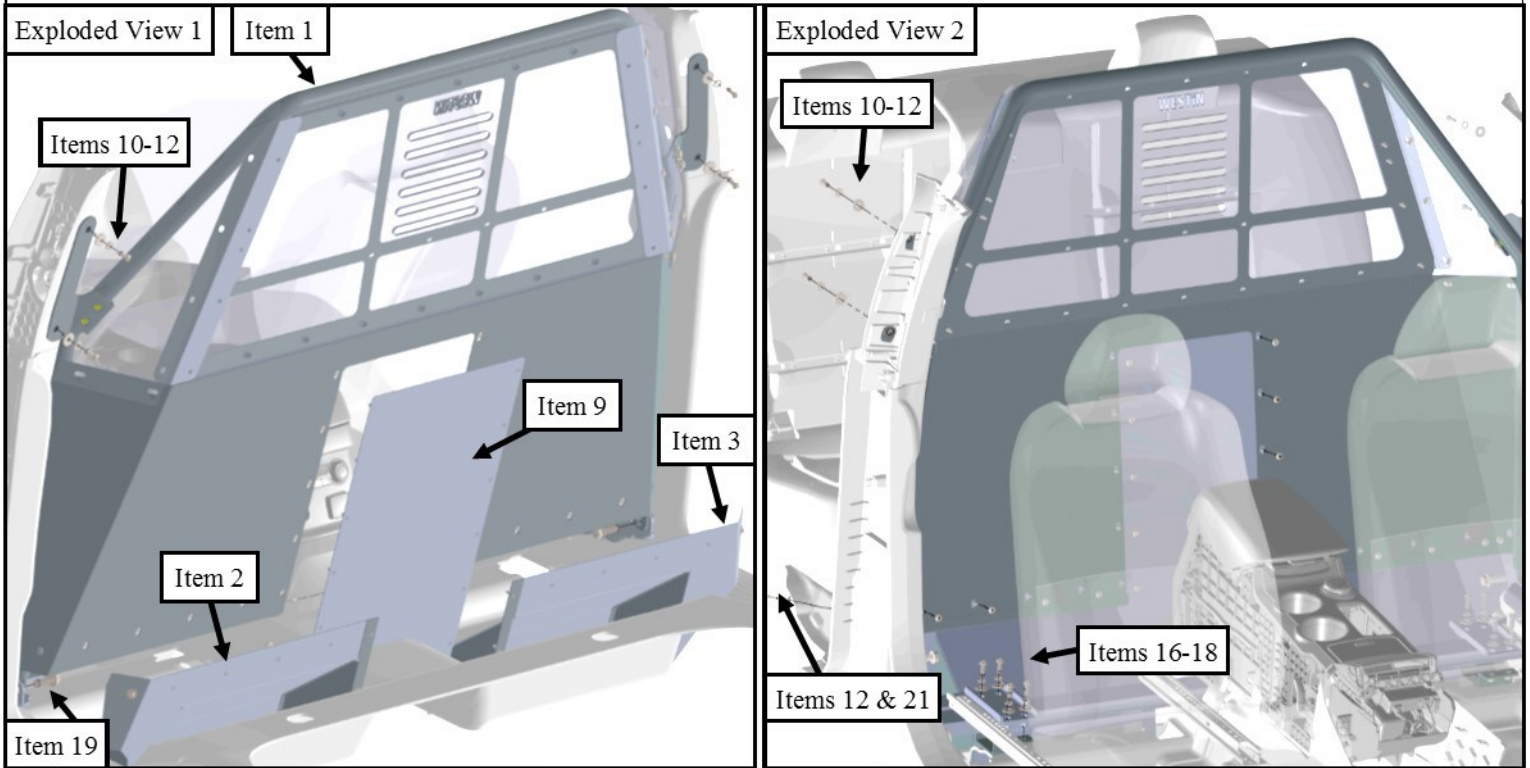
6. Loosen air bag side relief plastics and attach upper mount brackets (items 7 and 8) using hardware 13, 14 and 15. Between frame and air bag side relief plastics. See figure 7 and 8. Leave them loose at this time.
7. Loosely secure the upper mount brackets (Items 7 and 8) onto the vehicle where the handles were removed using the provided M6 hardware (Items 10 - 12). See **Figure 7**.
8. Tighten the hardware near the upper mount bracket (Item 7/8) on the partition assembly (Item 1). Tighten the hardware near the upper mount bracket, air bag relief plastic, and air bag relief bracket onto the partition assembly. See **Figure 6**.



Locate the flat or recessed panel (Item 9) (see note below) and loosely secure onto the partition assembly using the supplied hardware: (10) M6 flange hex nuts (Item 20). Then locate the driver/passenger side foot pockets (Items 2 and 3) and loosely secure onto the partition and middle cover plate or recessed panel using the supplied hardware: (2) M6 short button head bolt (Item 21), (14) M6 flange hex nuts, and (2) M6 flat washer (Item 12). See **Figure 9**. **Note:** Use M6 flange nuts (Item 20) to install accessories plates on Recessed Panel or flat panel. **Figure 10**. Use small plate if electrical channel is installed.



9. Loosen the seat rail screws in the rear of the front seats. Remove the far in one, and save it. It will be reuse.
10. Install straps items 22 and 23 under the rail as shown in figure 11. First hole of the strap is for the rail pin. Use the screw previously removed from the rail to attach the strap. Attach the other side of the strap to the partition using a M6 Flange nut (20).
11. Align and adjust the partition assembly and then tighten hardware to: M8 hardware to 15-18 ft-lbs, M6 hardware to 5-7 ft-lbs, M12 hardware to 50-55 ft-lbs, and M10 hardware to 30-35 ft-lbs.



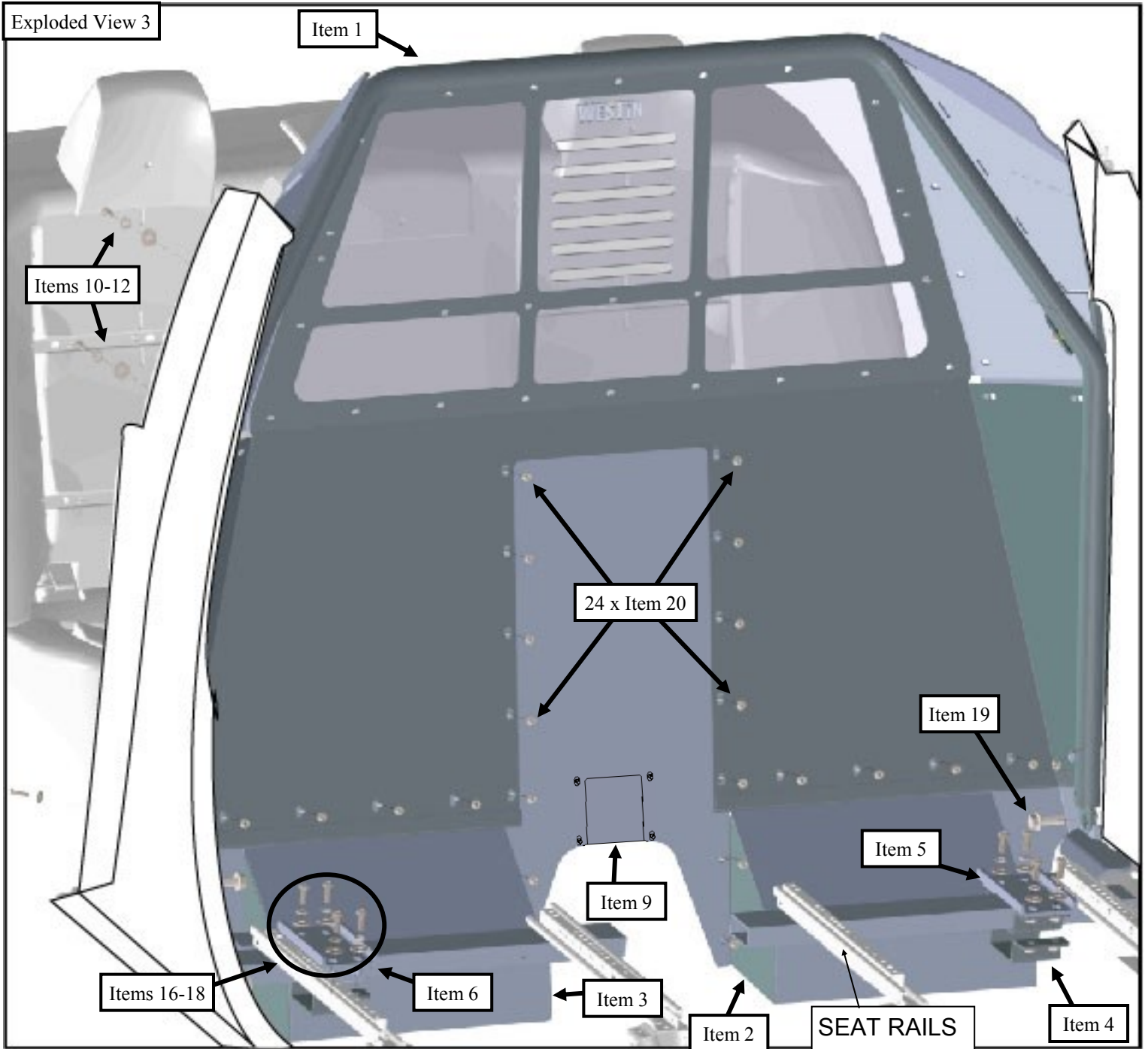
**CARE INSTRUCTIONS**

- REGULAR WAXING IS RECOMMENDED. DO NOT USE ANY TYPE OF POLISH OR WAX THAT MAY CONTAIN ABRASIVES.
- STAINLESS STEEL PRODUCTS CAN BE CLEANED WITH MILD SOAP AND WATER. STAINLESS STEEL POLISH SHOULD BE USED TO POLISH SMALL SCRATCHES.
- GLOSS BLACK FINISHES SHOULD BE CLEANED WITH MILD SOAP AND WATER.

**WESTIN** Westin Automotive Products, Inc.  
320 W. Covina Blvd  
San Dimas, Ca. 91773

Thank you for choosing Westin products  
for additional installation assistance please call  
Customer Service (800) 793-7846





FRONT VIEW



## WARNING



Failure to follow these instructions could lead to death, personal injury, and / or property damage.

### FASTENERS:

All Westin supplied fasteners must be utilized and installed in accordance with the installation instructions and apply torque to the specifications as defined. **DOUBLE CHECK ALL FASTENERS BEFORE INITIAL USE, AND PERIODICALLY IN THE FUTURE TO ENSURE PROPER FUNCTION AND SAFETY.**

### DRILLING:

Most Westin products do not require drilling for installation. If drilling is defined as required, use caution when drilling a vehicle. **FAILURE TO REVIEW AN AREA TO BE DRILLED MAY RESULT IN PERSONAL INJURY AND/OR INJURY TO OTHERS AS WELL AS VEHICLE DAMAGE.**

### EYE PROTECTION:

**ALWAYS WEAR SAFETY GLASSES OR GOGGLES DURING THE INSTALLATION PROCESS TO AVOID PERSONAL INJURY.**

### MAXIMUM TOWING/CARRYING CAPACITY:

The Westin Receiver Hitches will have a visible tow rating label affixed directly on the product. User should never exceed the vehicle manufacturers maximum tow and weight rating regardless of the capacity of the hitch. **FAILURE TO FOLLOW THESE GUIDELINES WILL VOID THE WESTIN WARRANTY AND MAY RESULT IN PERSONAL INJURY AND/OR INJURY TO OTHERS AS WELL AS VEHICLE DAMAGE.**