

INSTALLATION INSTRUCTIONS

R5 XD NERF STEP BAR

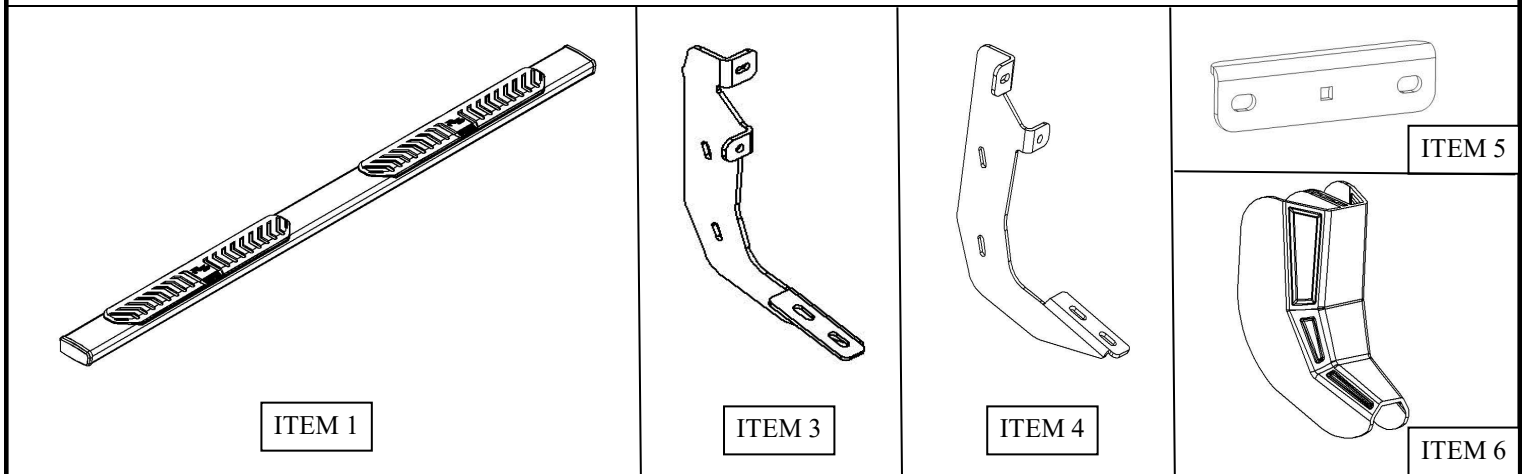


APPLICATION:
Ford F-150 SuperCrew 2015-2020; F-250/250 Crew Cab 2017-2020

PART NUMBER:
28-521095

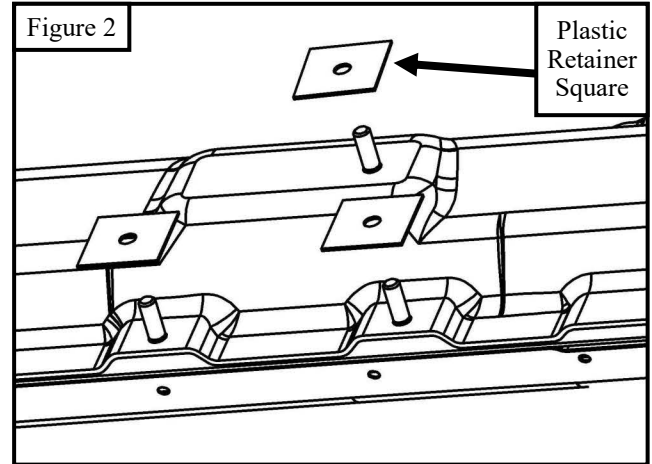
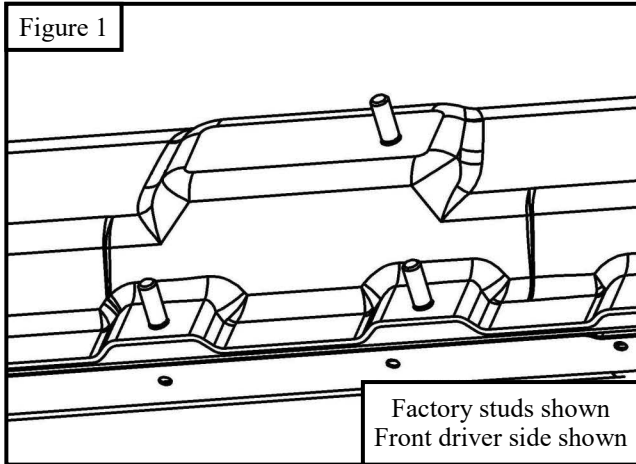
CONTENT			
ITEM	QUANTITY	DESCRIPTION	TOOLS NEEDED
1	1	STEP BAR ASSEMBLY (DRIVERS SIDE)	10MM SOCKET
2	1	STEP BAR ASSEMBLY (PASSENGER SIDE)	13MM SOCKET
3	2	FRONT MOUNTING BRACKET	RATCHET
4	4	CENTER & REAR MOUNTING BRACKET	TORQUE WRENCH
5	6	SUPPORT BRACKET	
6	6	PLASTIC BRACKET COVERS	
7	12	M6 HEX HEAD CAP SCREW (YELLOW ZINC CHROMATE)	
8	24	M6 FLAT WASHER (YELLOW ZINC CHROMATE)	
9	12	M6 NYLOCK NUT (YELLOW ZINC CHROMATE)	
10	36	M8 SPLIT LOCK WASHER (YELLOW ZINC CHROMATE)	
11	36	M8 FLAT WASHER (YELLOW ZINC CHROMATE)	
12	36	M8 HEX NUT (YELLOW ZINC CHROMATE)	
13	12	M8 SQUARE HEAD BOLT (YELLOW ZINC CHROMATE)	
14	6	M8 ROUND HEAD SQUARE BOLT (BLACK ZINC)	
15	18	PLASTIC SQUARE RETAINER (BLACK ZINC)	

ANTI-SEIZE LUBRICANT MUST BE USED ON ALL STAINLESS STEEL FASTENERS TO PREVENT THREAD DAMAGE AND GALLING

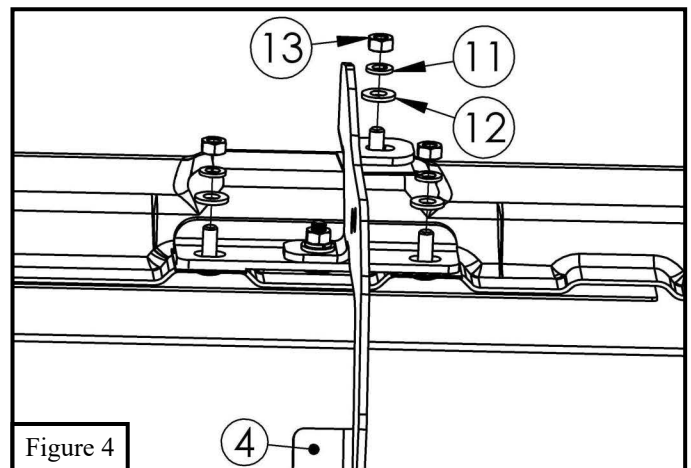
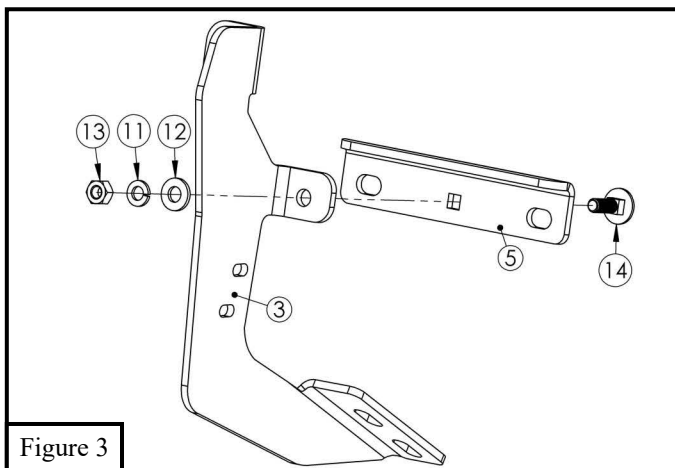


PROCEDURE

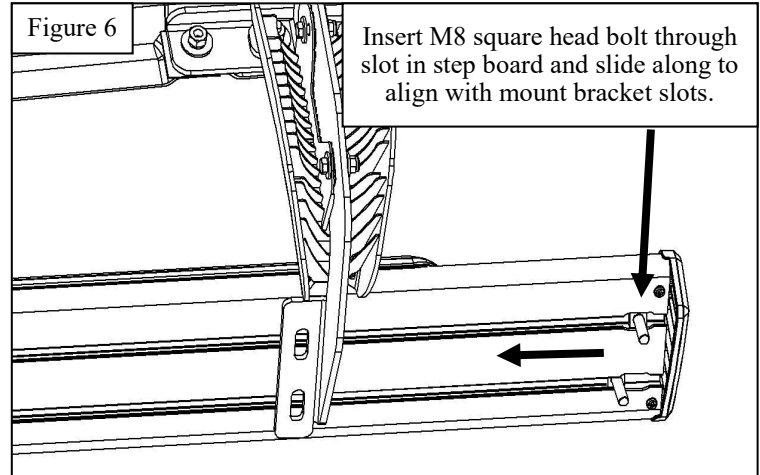
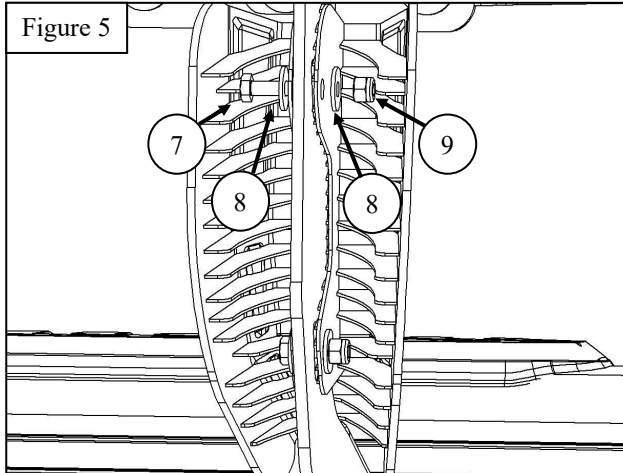
1. Remove contents from box, verify if all parts listed are present and free from damage.
Carefully read and understand all instructions before attempting installation.
Failure to identify damage before installation could lead to a rejection of any claim.
2. Start installation on driver's side. On the rocker panel find locations of factory studs. In each location there should be 3 studs. See **Figure 1**.
3. Insert (1) plastic retainer square (Item 15) on each factory stud. See **Figure 2**.



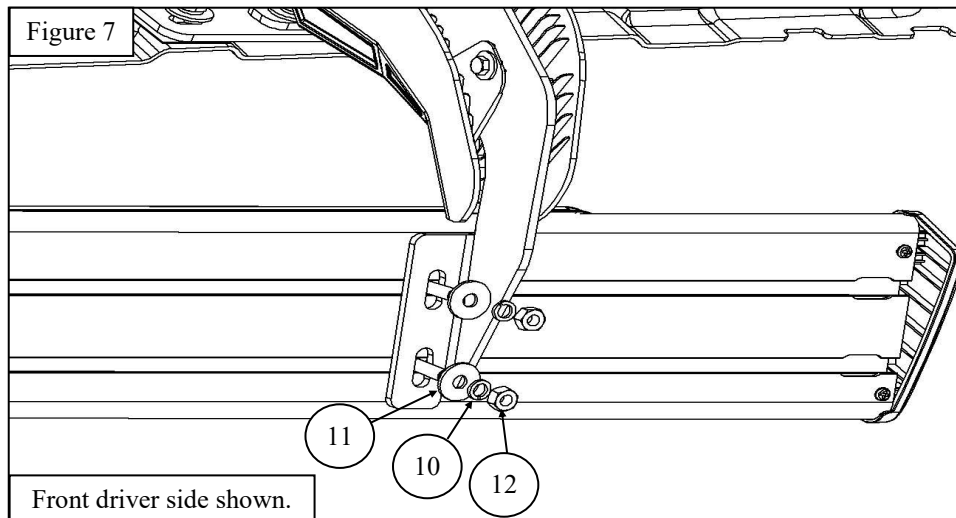
4. Insert a M8 round head square neck bolt (Item 14) through the support bracket (Item 5) square hole. Then insert the M8 round head square neck bolt through bracket A/B (Item 3/4) bottom circular hole. Loosely secure item 2 to item 3/4 with (1) M8 hex nut, (1) M8 split lock washer, and (1) M8 flat washer. See **Figure 3**.
5. Align sub-assembly with the 3 factory studs. Lower 2 factory studs will align with the support bracket and top factory stud will align with the mounting brackets (item 3/4). Loosely secure sub-assembly with (3) M8 hex nut, (3) M8 split lock washer, and (3) M8 flat washer. See **Figure 4**.
6. Repeat **Step 4 - 5** for every mounting location.

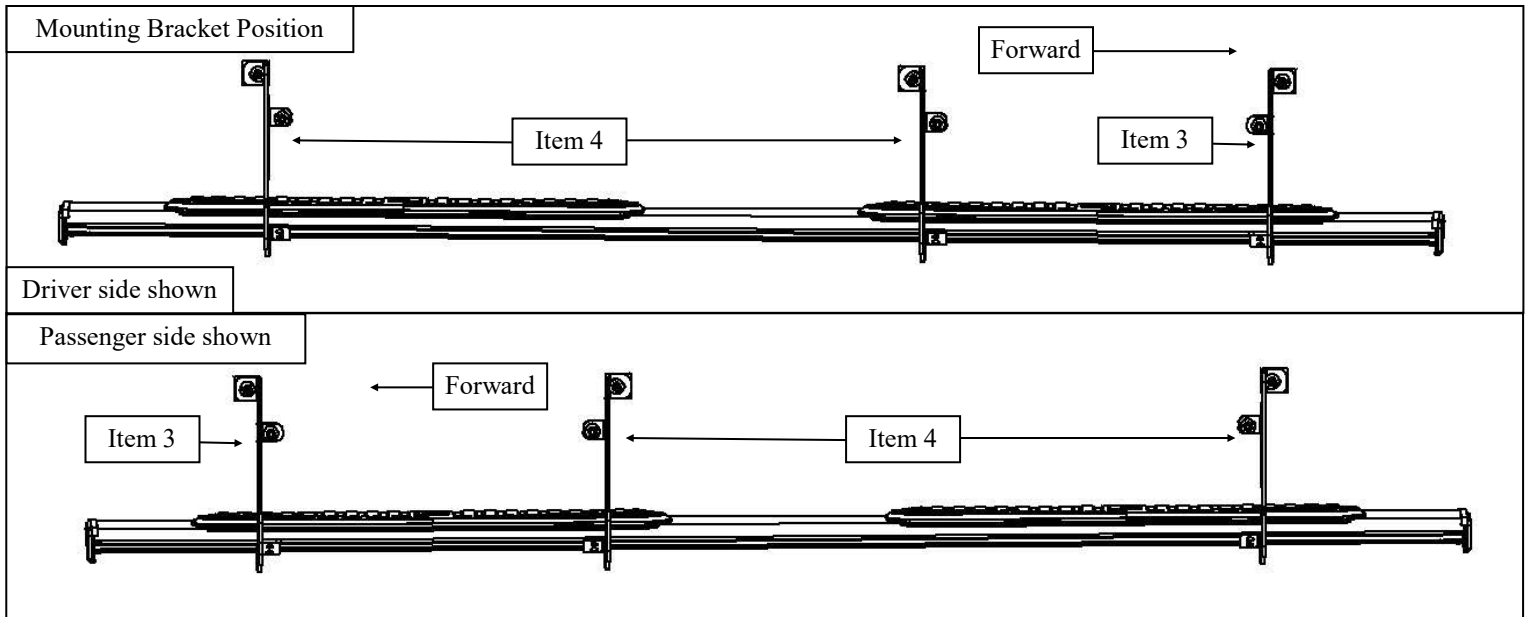


7. Locate (1) plastic bracket cover (Item 6) and loosely secure it to the bracket using the provided hardware: (2) M6 hex head cap screw, (4) M6 flat washer, and (2) M6 nylock nut. See **Figure 5**.
8. Repeat **Step 7** for every bracket.
9. Locate (1) driver side step board (Item 1) and (6) M8 square head bolts (Item 13). Slide the M8 square head bolts through the slots underneath the step board and align with the previously installed mount brackets. Repeat for passenger side. See **Figure 6**.



10. Loosely secure the step board onto each mount bracket using (2) M8 hex nuts, (2) M8 split lock washers, and (2) M8 flat washers (Items 10 - 12). See **Figure 7**.
11. Adjust and align as necessary the mount brackets, step boards, and bracket covers and then tighten M8 hardware to 15-17 ft-lbs and M6 to 5-7 ft-lbs.





INSTALLATION COMPLETE



CARE INSTRUCTIONS

- REGULAR WAXING IS RECOMMENDED. DO NOT USE ANY TYPE OF POLISH OR WAX THAT MAY CONTAIN ABRASIVES.
- STAINLESS STEEL PRODUCTS CAN BE CLEANED WITH MILD SOAP AND WATER. STAINLESS STEEL POLISH SHOULD BE USED TO POLISH SMALL SCRATCHES.
- GLOSS BLACK FINISHES SHOULD BE CLEANED WITH MILD SOAP AND WATER.

WESTIN Westin Automotive Products, Inc.
320 W. Covina Blvd
San Dimas, Ca. 91773

Thank you for choosing Westin products
for additional installation assistance please call
Customer Service (800) 793-7846
www.westinautomotive.com
DATE: 09/02/20



WARNING



Failure to follow these instructions could lead to death, personal injury, and / or property damage.

FASTENERS:

All Westin supplied fasteners must be utilized and installed in accordance with the installation instructions and apply torque to the specifications as defined. **DOUBLE CHECK ALL FASTENERS BEFORE INITIAL USE, AND PERIODICALLY IN THE FUTURE TO ENSURE PROPER FUNCTION AND SAFETY.**

DRILLING:

Most Westin products do not require drilling for installation. If drilling is defined as required, use caution when drilling a vehicle. **FAILURE TO REVIEW AN AREA TO BE DRILLED MAY RESULT IN PERSONAL INJURY AND/OR INJURY TO OTHERS AS WELL AS VEHICLE DAMAGE.**

EYE PROTECTION:

ALWAYS WEAR SAFETY GLASSES OR GOGGLES DURING THE INSTALLATION PROCESS TO AVOID PERSONAL INJURY.

MAXIMUM TOWING/CARRYING CAPACITY: (if applicable)

The Westin Receiver Hitches will have a visible tow rating label affixed directly on the product. User should never exceed the vehicle manufacturers maximum tow and weight rating regardless of the capacity of the hitch. **FAILURE TO FOLLOW THESE GUIDELINES WILL VOID THE WESTIN WARRANTY AND MAY RESULT IN PERSONAL INJURY AND/OR INJURY TO OTHERS AS WELL AS VEHICLE DAMAGE.**

FOR CALIFORNIA RESIDENTS ONLY-PROP 65 WARNING:

Some products may contain chemicals such as DEHP, which can cause cancer, birth defects or other reproductive harm. For more info go to www.p65warnings.ca.gov



Westin Automotive Products, Inc.
320 W. Covina Blvd
San Dimas, Ca. 91773