

INSTALLATION INSTRUCTIONS

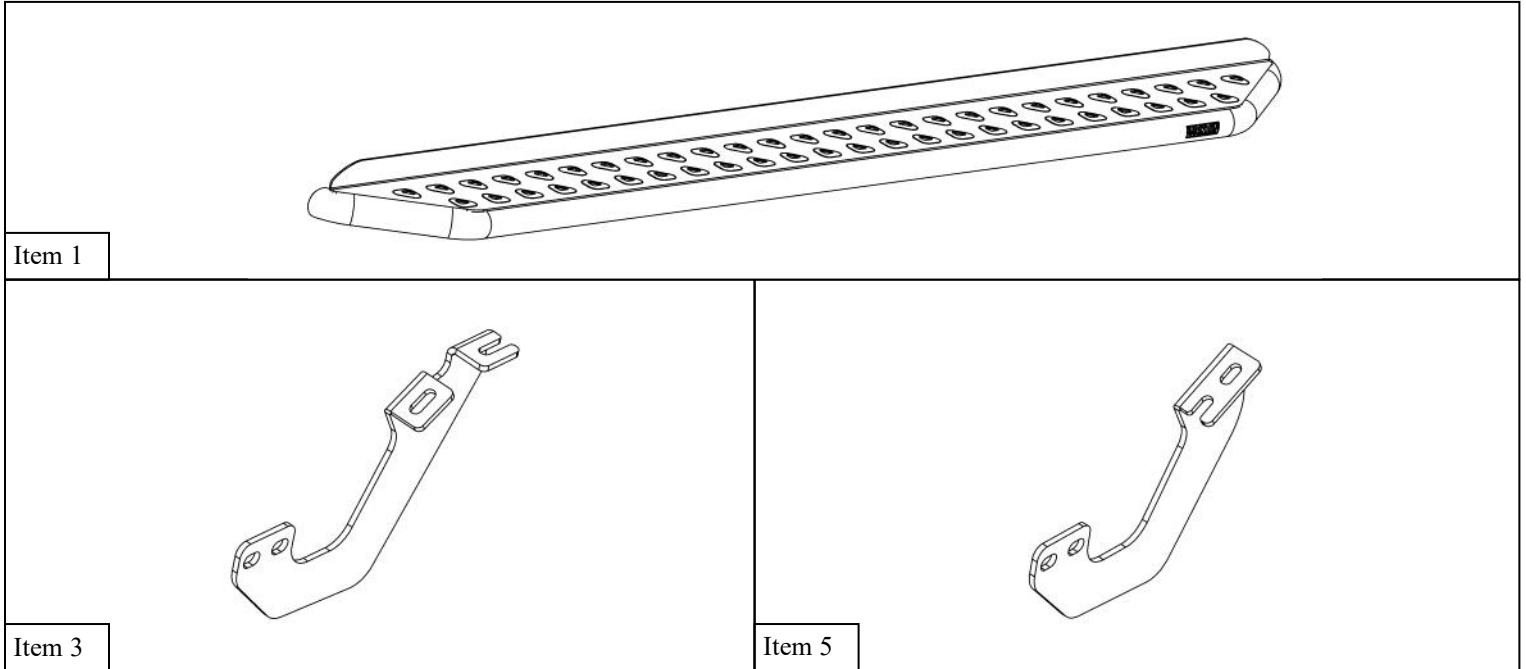
OUTLAW RUNNING BOARDS



APPLICATION:
TOYOTA TACOMA DOUBLE CAB 2024
PART NUMBER:
28-32785

| CONTENT | | | |
|---------|----------|----------------------------------|---------------|
| ITEM | QUANTITY | DESCRIPTION | TOOLS NEEDED |
| 1 | 1 | DRIVER OUTLAW RUNNING BOARD | 13MM SOCKET |
| 2 | 1 | PASSENGER OUTLAW RUNNING BOARD | 13MM WRENCH |
| 3 | 1 | FRONT DRIVER MOUNTING BRACKET | 15MM SOCKET |
| 4 | 1 | FRONT PASSENGER MOUNTING BRACKET | 15MM WRENCH |
| 5 | 2 | DRIVER MOUNTING BRACKET "B" | RATCHET |
| 6 | 2 | PASSENGER MOUNTING BRACKET "B" | TORQUE WRENCH |
| 7 | 12 | M8 HEX HEAD BOLT | |
| 8 | 12 | M8 SPLIT LOCK WASHER | |
| 9 | 12 | M8 FLAT WASHER | |
| 10 | 12 | M10 HEX HEAD BOLT | |
| 11 | 12 | M10 BELLVILLE WASHER | |
| 12 | 12 | M10 SERRATED FLANGE HEX NUT | |

ANTI-SEIZE LUBRICANT MUST BE USED ON ALL STAINLESS STEEL FASTENERS TO PREVENT THREAD DAMAGE AND GALLING

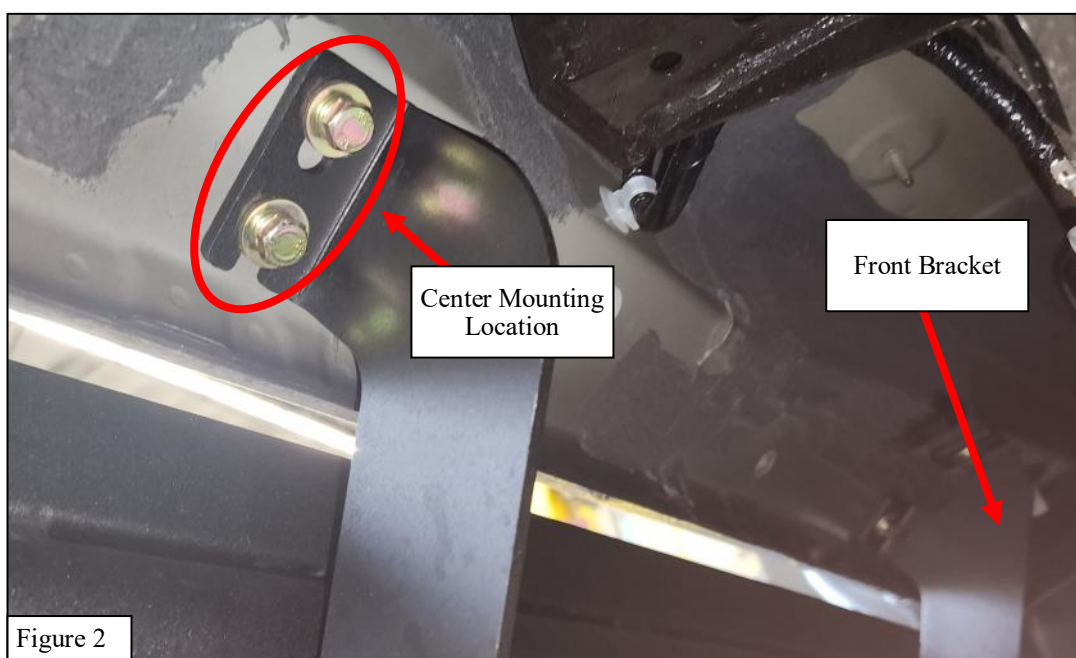


PROCEDURE

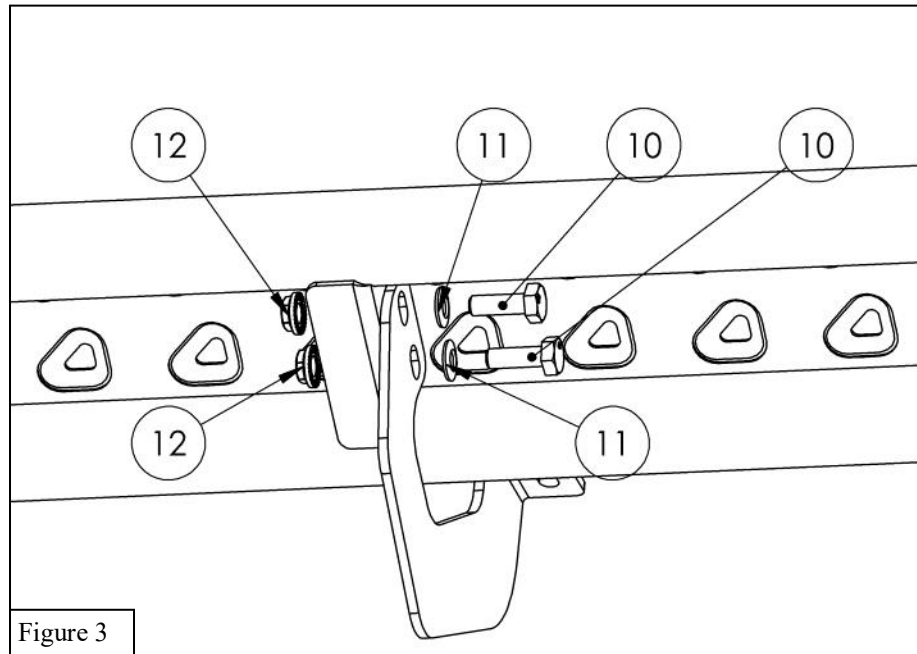
1. Remove contents from box, verify if all parts listed are present and free from damage. Carefully read and understand all instructions before attempting installation.
Failure to identify damage before installation could lead to a rejection of any claim.
2. Locate the front mounting holes on the driver side of the vehicle and remove the factory bolts.
3. Loosely install the Driver Front Mounting Bracket (**items 3 and 4**) using the M8 hardware (**items 7-9**). See **Figure 2**.



4. Remove the factory hardware from the center and rear mounting holes.
5. Loosely install (1) Driver Mounting Bracket "B" (**item 5**) in the center mounting location using the M8 hardware (**items 7-9**). See **Figure 2**.
6. Loosely install (1) Driver Mounting Bracket "B" (**item 5**) in the rear mounting location using the M8 hardware (**items 7-9**).



7. Repeat Steps 2-6 on the passenger side of the vehicle.
8. Using the M10 hardware (**Items 10-12**), loosely mount the Outlaw Running Boards (**Items 1 and 2**) to the mounting brackets. See **Figure 3**
9. Align and adjust the running boards and mounting brackets as needed. Tighten and torque all hardware as specified: M8 hardware to 15-18 ft-lbs, M10 hardware to 35-38 ft-lbs.



INSTALLATION COMPLETE



CARE INSTRUCTIONS

- REGULAR WAXING IS RECOMMENDED. DO NOT USE ANY TYPE OF POLISH OR WAX THAT MAY CONTAIN ABRASIVES.
- STAINLESS STEEL PRODUCTS CAN BE CLEANED WITH MILD SOAP AND WATER. STAINLESS STEEL POLISH SHOULD BE USED TO POLISH SMALL SCRATCHES.
- GLOSS BLACK FINISHES SHOULD BE CLEANED WITH MILD SOAP AND WATER.

WESTIN

Westin Automotive Products, Inc.
320 W. Covina Blvd
San Dimas, Ca. 91773

Thank you for choosing Westin products
for additional installation assistance please call
Customer Service (800) 793-7846
www.westinautomotive.com



WARNING



Failure to follow these instructions could lead to death, personal injury, and / or property damage.

Failure to follow these instructions could lead to death, personal injury, and / or property damage.

FASTENERS:

All Westin supplied fasteners must be utilized and installed in accordance with the installation instructions and apply torque to the specifications as defined. **DOUBLE CHECK ALL FASTENERS BEFORE INITIAL USE, AND PERIODICALLY IN THE FUTURE TO ENSURE PROPER FUNCTION AND SAFETY.**

DRILLING:

Most Westin products do not require drilling for installation. If drilling is defined as required, use caution when drilling a vehicle. **FAILURE TO REVIEW AN AREA TO BE DRILLED MAY RESULT IN PERSONAL INJURY AND/OR INJURY TO OTHERS AS WELL AS VEHICLE DAMAGE.**

EYE PROTECTION:

ALWAYS WEAR SAFETY GLASSES OR GOGGLES DURING THE INSTALLATION PROCESS TO AVOID PERSONAL INJURY.

MAXIMUM TOWING/CARRYING CAPACITY: (if applicable)

The Westin Receiver Hitches will have a visible tow rating label affixed directly on the product. User should never exceed the vehicle manufacturers maximum tow and weight rating regardless of the capacity of the hitch. **FAILURE TO FOLLOW THESE GUIDELINES WILL VOID THE WESTIN WARRANTY AND MAY RESULT IN PERSONAL INJURY AND/OR INJURY TO OTHERS AS WELL AS VEHICLE DAMAGE.**

FOR CALIFORNIA RESIDENTS ONLY-PROP 65 WARNING:

Some products may contain chemicals such as DEHP, which can cause cancer, birth defects or other reproductive harm. For more info go to www.p65warnings.ca.gov



Westin Automotive Products, Inc.
320 W. Covina Blvd
San Dimas, Ca. 91773

Thank you for choosing Westin products
for additional installation assistance please call
Customer Service (800) 793-7846
www.westinautomotive.com