

INSTALLATION INSTRUCTIONS

STEP BOARD MOUNT KIT

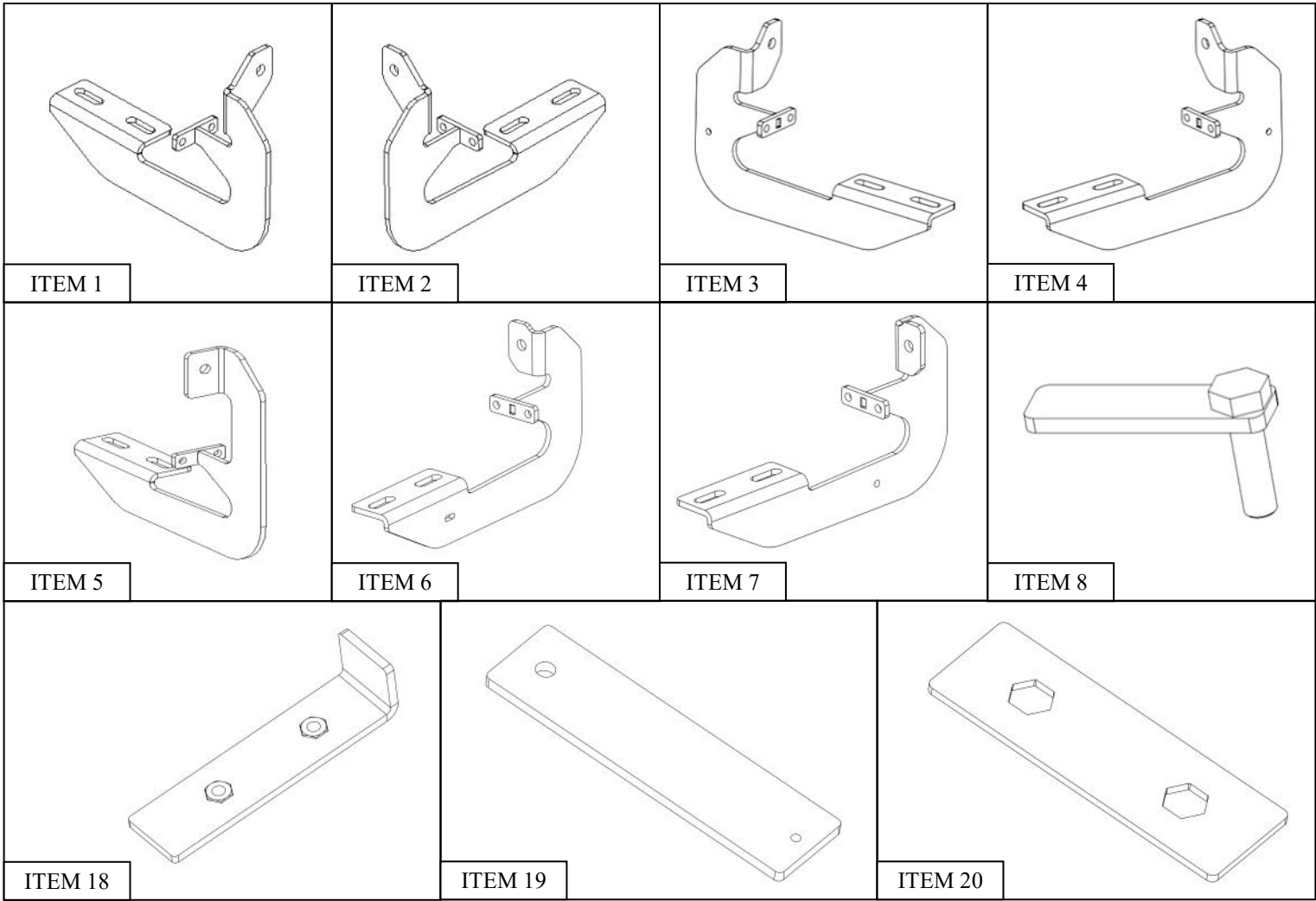


APPLICATION:
Mercedes-Benz Sprinter 2007-2022
(For 46" Driver Side and 97" Passenger Side)

PART NUMBER:
27-2445

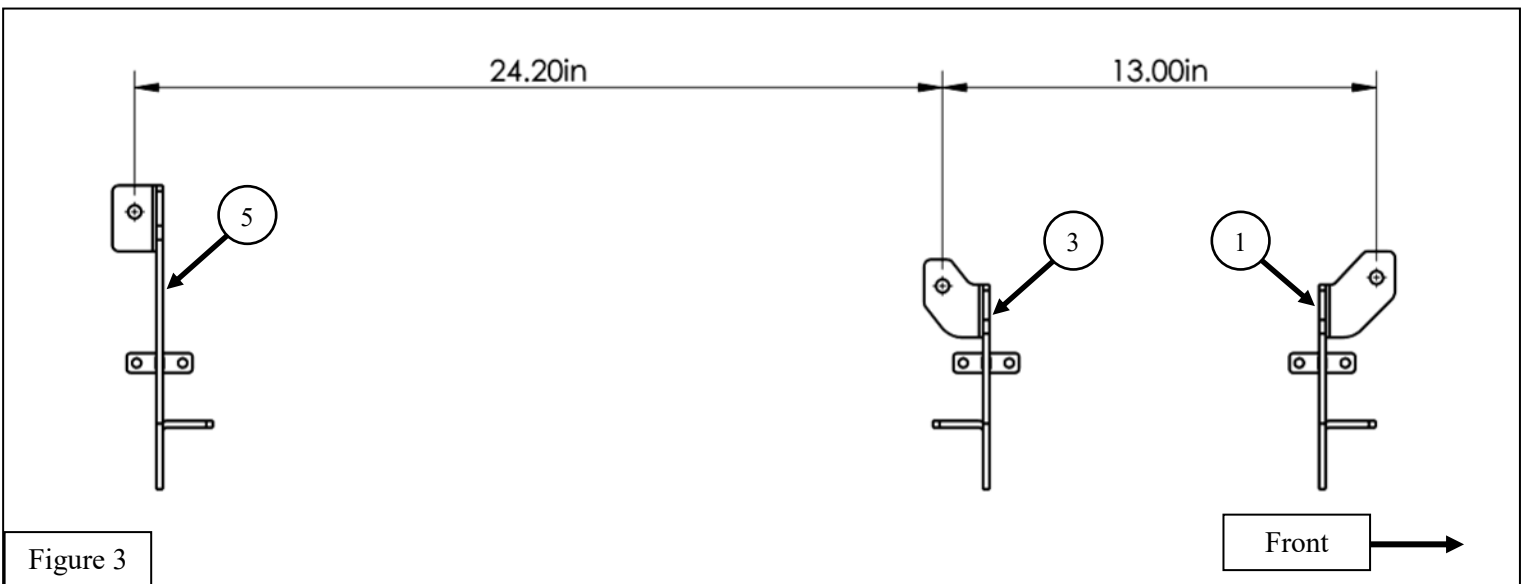
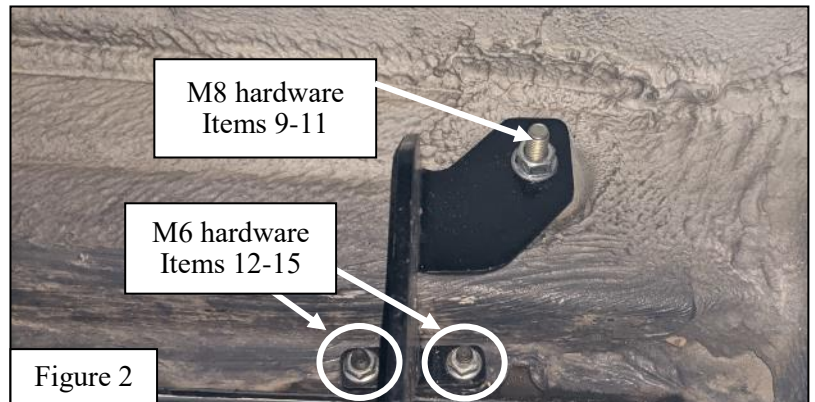
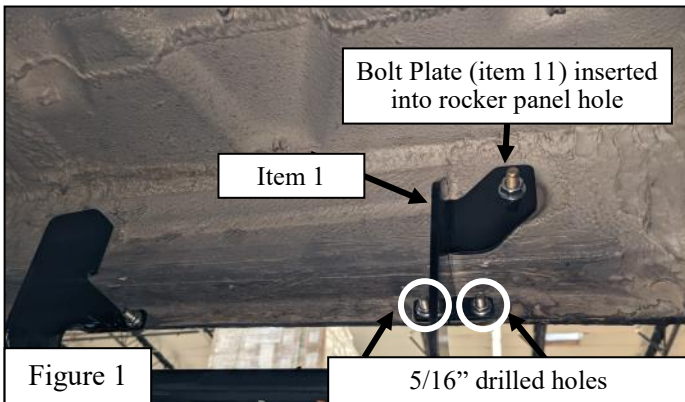
| CONTENT | | | |
|---------|----------|--|---------------|
| ITEM | QUANTITY | DESCRIPTION | TOOLS NEEDED |
| 1 | 1 | DRIVER SIDE BRACKET "A" | 13MM SOCKET |
| 2 | 1 | PASSENGER SIDE BRACKET "A" | 13MM WRENCH |
| 3 | 1 | DRIVER SIDE BRACKET "B" | 15MM SOCKET |
| 4 | 1 | PASSENGER SIDE BRACKET "B" | 15MM WRENCH |
| 5 | 1 | DRIVER SIDE BRACKET "C" | RATCHET |
| 6 | 1 | PASSENGER SIDE BRACKET "C" | TORQUE WRENCH |
| 7 | 1 | PASSENGER SIDE BRACKET "D" | |
| 8 | 7 | M8 BOLT PLATE | |
| 9 | 9 | M8 HEX NUT (YELLOW ZINC) | |
| 10 | 9 | M8 SPLIT LOCK WASHER (YELLOW ZINC) | |
| 11 | 9 | M8 FLAT WASHER (YELLOW ZINC) | |
| 12 | 14 | M6 SERRATED FLANGE NUT (YELLOW ZINC) | |
| 13 | 14 | M6 HEX SOCKET BUTTON HEAD CAP SCREW (BLACK ZINC) | |
| 14 | 14 | M6 SPLIT LOCK WASHER (BLACK ZINC) | |
| 15 | 14 | M6 FLAT WASHER (BLACK ZINC) | |
| 16 | 7 | M8 SQUARE RETAINERS (PLASTIC) | |
| 17 | 2 | M8 SET SCREW (BLACK ZINC) | |
| 18 | 1 | ADAPTER BRACKET | |
| 19 | 1 | PLATE "A" | |
| 20 | 1 | PLATE "B" | |

ANTI-SEIZE LUBRICANT MUST BE USED ON ALL STAINLESS STEEL FASTENERS TO PREVENT THREAD DAMAGE AND GALLING

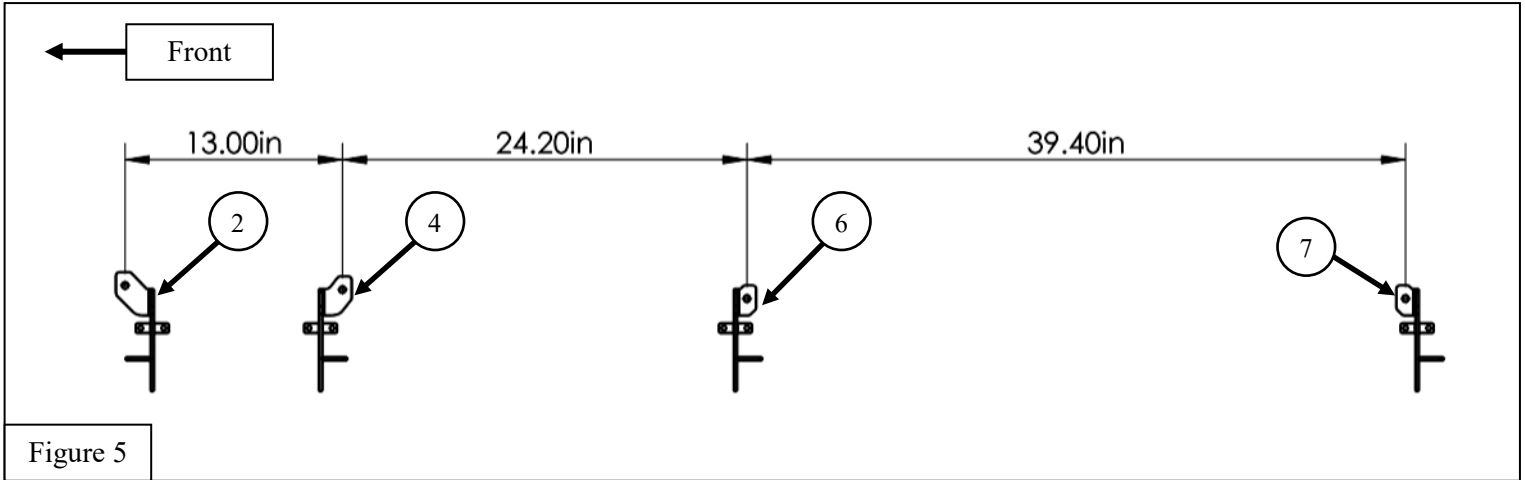


PROCEDURE

1. Remove contents from box, verify if all parts listed are present and free from damage.
Carefully read and understand all instructions before attempting installation.
Failure to identify damage before installation could lead to a rejection of any claim.
2. Beginning on the driver's side of the vehicle, remove the black rubber plug in the location shown in **Figure 1**.
3. Insert a Short M8 Bolt Plate (**item 8**) into front driver side mounting hole and use a M8 plastic retainer (**item 16**) to keep it in place.
4. Loosely install the Driver Side Bracket "A" (**item 1**) using the supplied M8 hardware (**items 9-11**) and adjust it to the desired location.
5. Mark the two bottom hole locations and drill two 5/16" holes. See **Figure 1**.
6. Loosely install the M6 hardware (**items 12-15**) using the holes drilled in the previous step. See **Figure 2**.
7. Repeat steps 2-6 for remaining two driver side brackets: (1) Driver Side Bracket "B" (**item 3**), (1) Driver Side Bracket "C" (**item 5**). See **Figure 3**.



8. Install the passenger side brackets using the same method used to install the driver side brackets. See **Figure 5**.
9. Refer to the installation sheet included with the Grate Steps Running Boards for running board installation instructions.
Note: Items 18-20 are used to attach the Grate Steps Running Boards to the brackets.
10. Align and adjust the brackets and running board as needed.
11. Tighten and torque all hardware installed to the provided torque specs: M6 hardware to 7 ft-lbs, M8 hardware to 18 ft-lbs.



CARE INSTRUCTIONS

- REGULAR WAXING IS RECOMMENDED. DO NOT USE ANY TYPE OF POLISH OR WAX THAT MAY CONTAIN ABRASIVES.
- STAINLESS STEEL PRODUCTS CAN BE CLEANED WITH MILD SOAP AND WATER. STAINLESS STEEL POLISH SHOULD BE USED TO POLISH SMALL SCRATCHES.
- GLOSS BLACK FINISHES SHOULD BE CLEANED WITH MILD SOAP AND WATER.



WARNING



Failure to follow these instructions could lead to death, personal injury, and / or property damage.

Failure to follow these instructions could lead to death, personal injury, and / or property damage.

FASTENERS:

All Westin supplied fasteners must be utilized and installed in accordance with the installation instructions and apply torque to the specifications as defined. **DOUBLE CHECK ALL FASTENERS BEFORE INITIAL USE, AND PERIODICALLY IN THE FUTURE TO ENSURE PROPER FUNCTION AND SAFETY.**

DRILLING:

Most Westin products do not require drilling for installation. If drilling is defined as required, use caution when drilling a vehicle. **FAILURE TO REVIEW AN AREA TO BE DRILLED MAY RESULT IN PERSONAL INJURY AND/OR INJURY TO OTHERS AS WELL AS VEHICLE DAMAGE.**

EYE PROTECTION:

ALWAYS WEAR SAFETY GLASSES OR GOGGLES DURING THE INSTALLATION PROCESS TO AVOID PERSONAL INJURY.

MAXIMUM TOWING/CARRYING CAPACITY: (if applicable)

The Westin Receiver Hitches will have a visible tow rating label affixed directly on the product. User should never exceed the vehicle manufacturers maximum tow and weight rating regardless of the capacity of the hitch. **FAILURE TO FOLLOW THESE GUIDELINES WILL VOID THE WESTIN WARRANTY AND MAY RESULT IN PERSONAL INJURY AND/OR INJURY TO OTHERS AS WELL AS VEHICLE DAMAGE.**

FOR CALIFORNIA RESIDENTS ONLY-PROP 65 WARNING:

Some products may contain chemicals such as DEHP, which can cause cancer, birth defects or other reproductive harm. For more info go to www.p65warnings.ca.gov



Westin Automotive Products, Inc.
320 W. Covina Blvd
San Dimas, Ca. 91773