

INSTALLATION INSTRUCTIONS

STEP BOARD MOUNT KIT



APPLICATION:

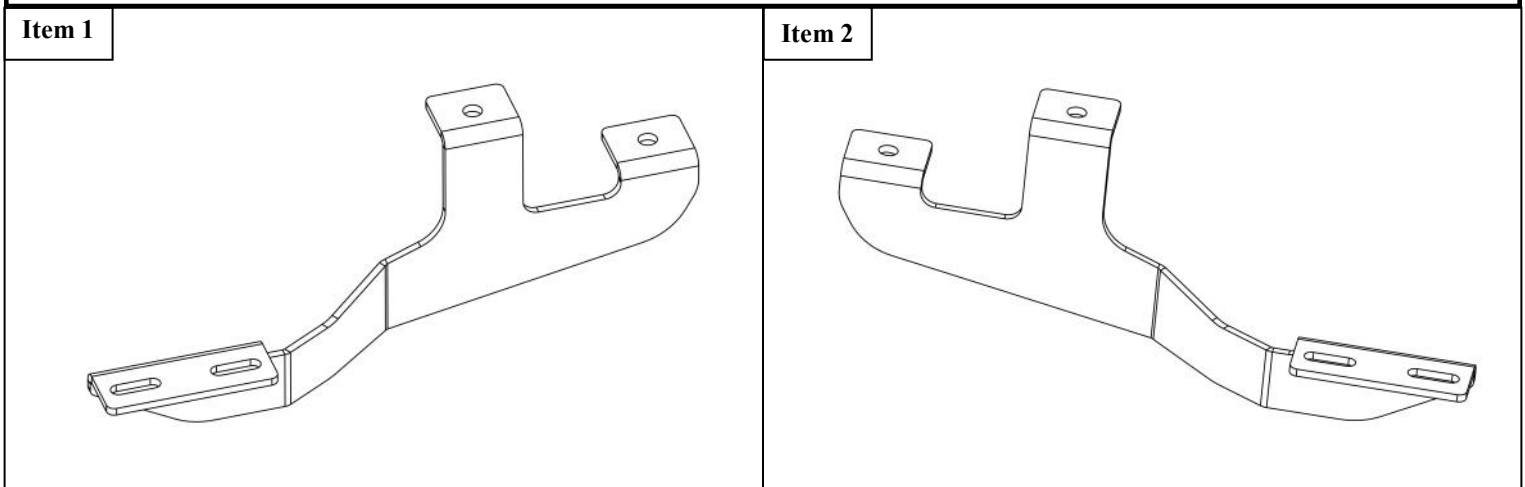
Ram ProMaster 2014-2023 2500/3500 159" Wheelbase
(For 46" Driver Side and 86" Passenger Side)

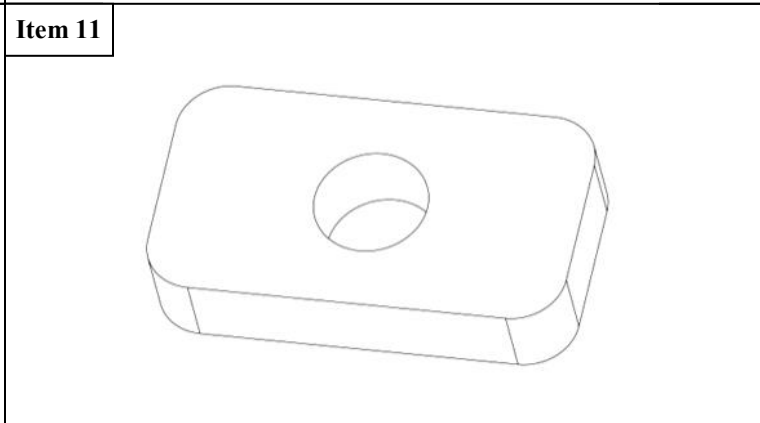
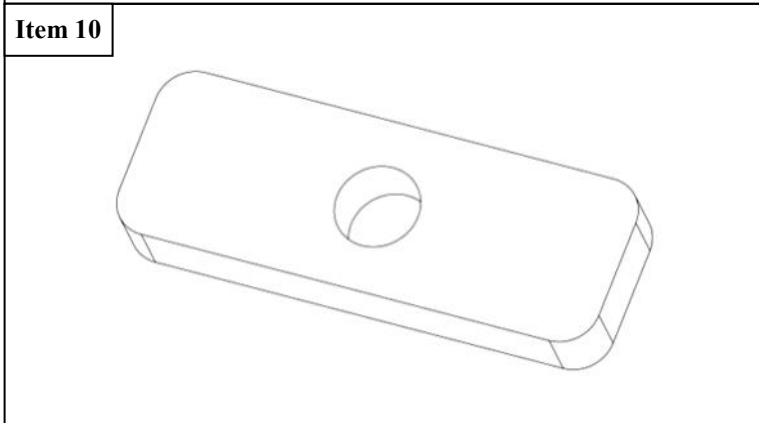
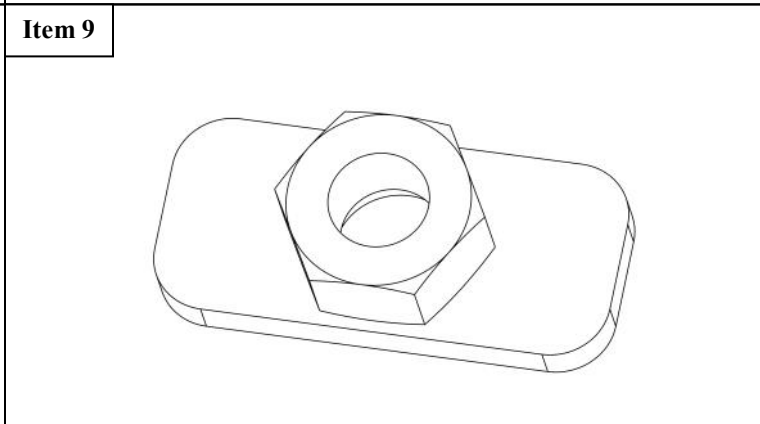
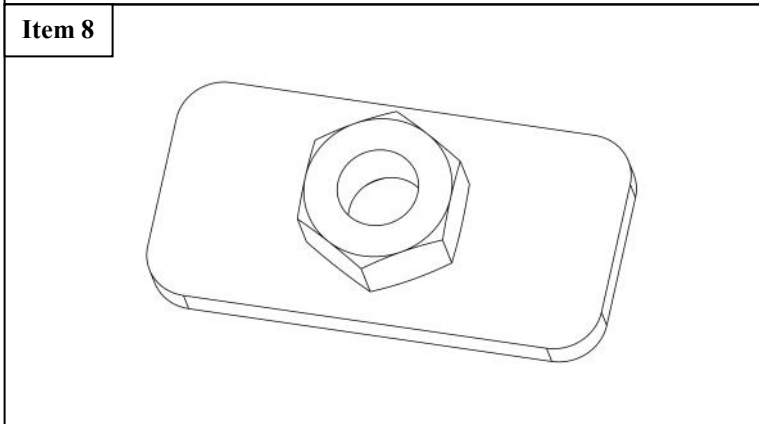
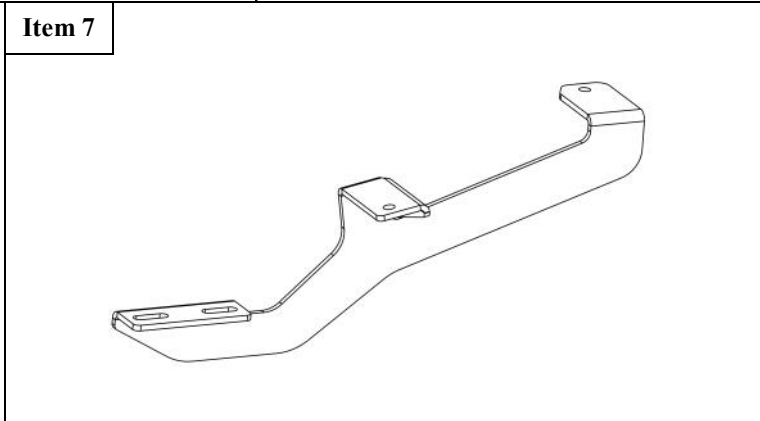
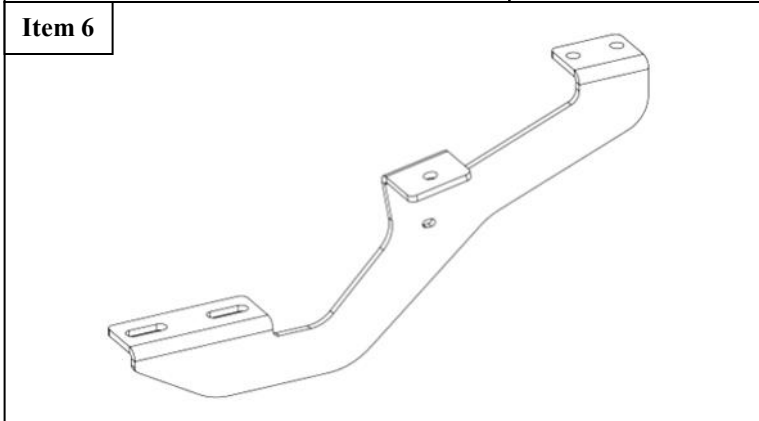
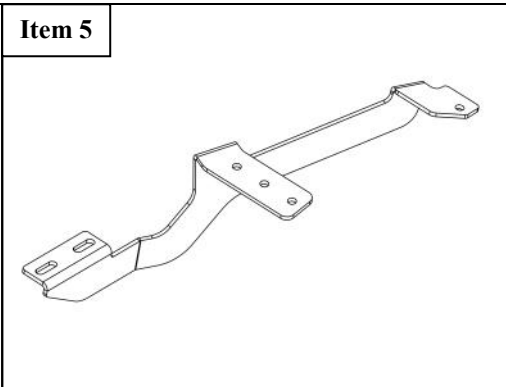
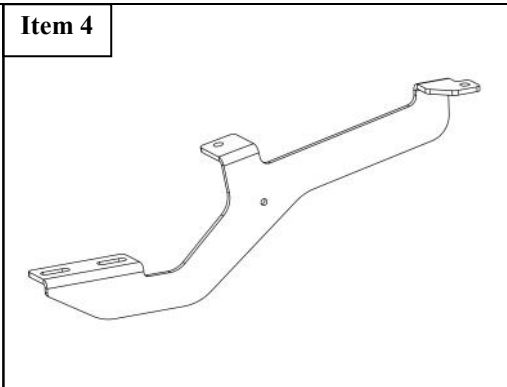
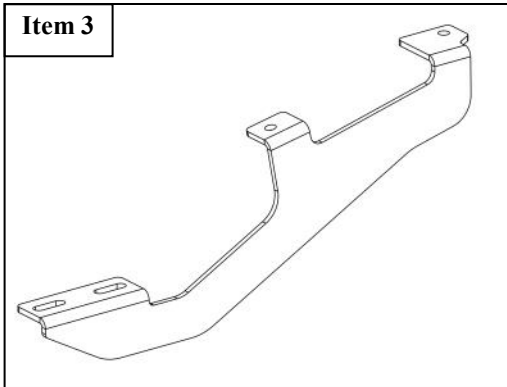
PART NUMBER:

27-2375

CONTENT			
ITEM	QUANTITY	DESCRIPTION	TOOLS NEEDED
1	1	DRIVER "A" BRACKET	RATCHET
2	1	PASSENGER "A" BRACKET	TORQUE WRENCH
3	1	DRIVER "B" BRACKET	17MM WRENCH
4	1	PASSENGER "B" BRACKET	17MM SOCKET
5	1	DRIVER "C" BRACKET	13MM WRENCH
6	1	PASSENGER "C" BRACKET	13MM SOCKET
7	1	PASSENGER "D" BRACKET	
8	2	LARGE M10 NUT PLATE	
9	2	SMALL M10 NUT PLATE	
10	5	LONG M8 THREADED PLATE	
11	3	SHORT M8 THREADED PLATE	
12	4	M10 HEX HEAD CAP SCREW	
13	4	M10 SPLIT LOCK WASHER	
14	4	M10 FLAT WASHER	
15	10	M8 HEX HEAD CAP SCREW	
16	10	M8 SPLIT LOCK WASHER	
17	10	M8 FLAT WASHER	
18	2	M8 SERRATED FLANGED HEX NUT	
19	3	M9.5 THREAD-FORMING SCREW	

ANTI-SEIZE LUBRICANT MUST BE USED ON ALL STAINLESS STEEL FASTENERS TO PREVENT THREAD DAMAGE AND GALLING





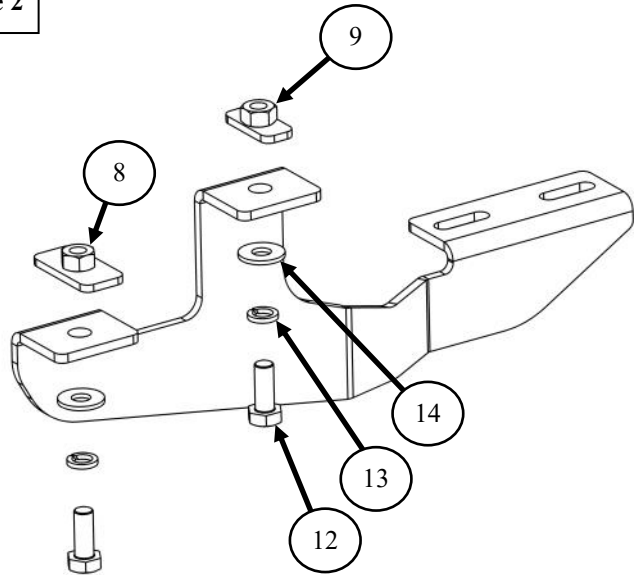
PROCEDURE

1. Remove contents from box, verify if all parts listed are present and free from damage.
Carefully read and understand all instructions before attempting installation.
Failure to identify damage before installation could lead to a rejection of any claim.
2. Locate and slide the Large M10 Nut Plate (item 8) and Small M10 Nut Plate (item 9) in the holes located in the front of the vehicle. See **Figure 1**.
3. Using the provided M10 hardware, loosely attach the Driver "A" Bracket (item 1). See **Figures 1-2** for reference.
4. Repeat these **Steps 2-3** on the passenger side of the vehicle.

Figure 1



Figure 2



5. Insert (2) Long M8 Threaded Plates (item 10) through the holes used to install Driver "B" Bracket. See **Figure 4**.
6. Using the provided M8 hardware, loosely attach Driver "B" Bracket (item 3). See **Figure 3-4** for reference.

Figure 3

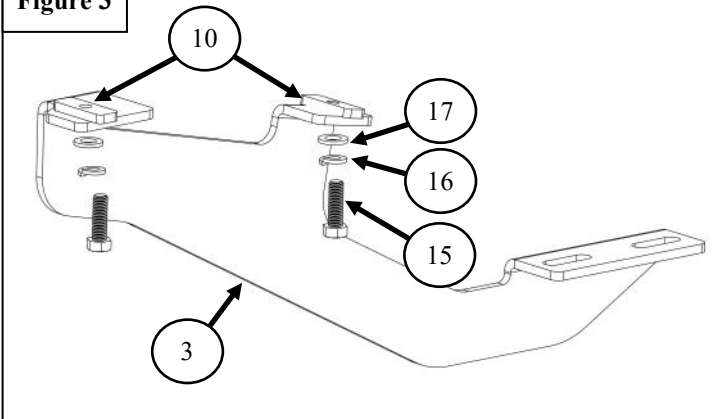


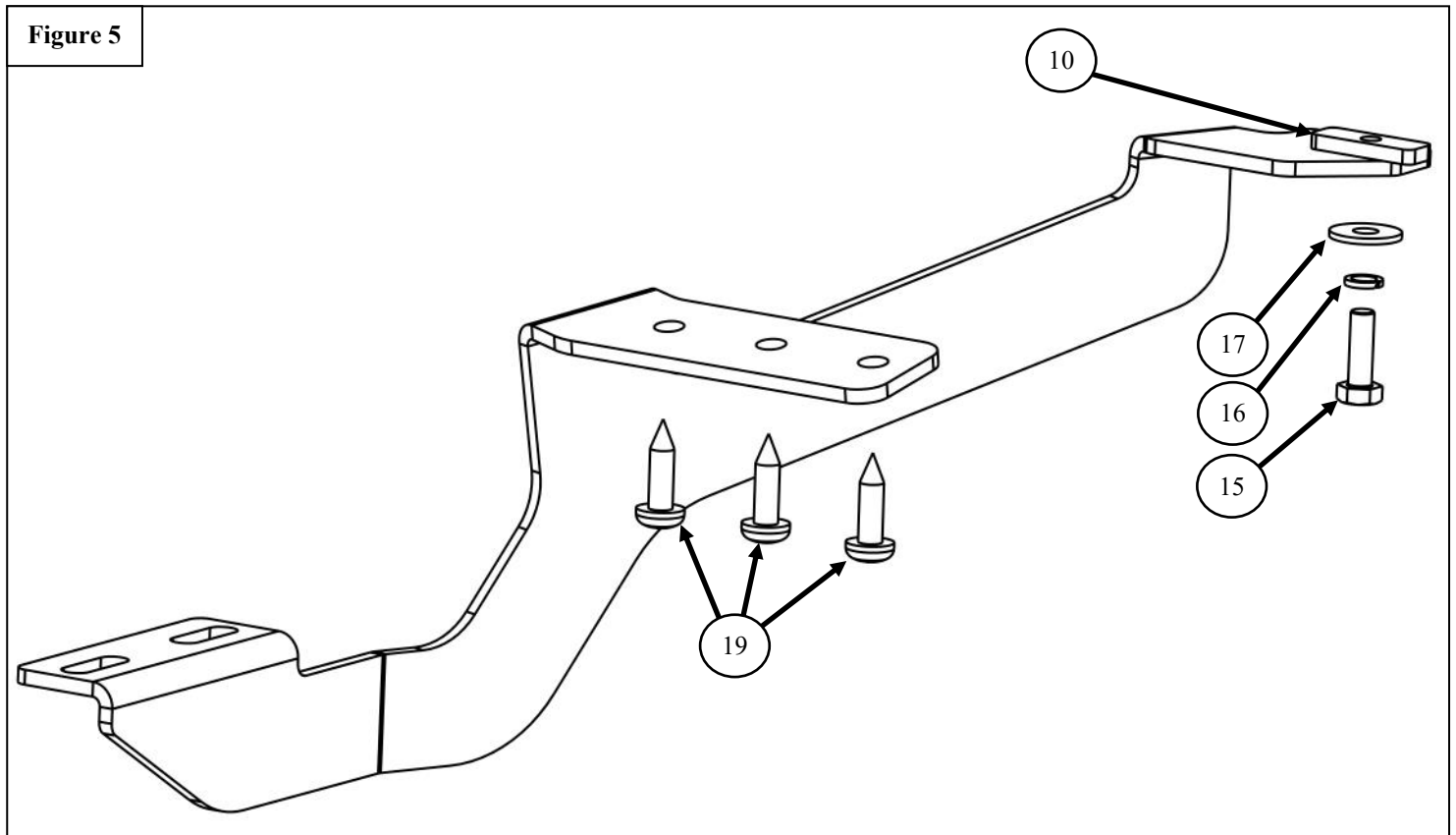
Figure 4



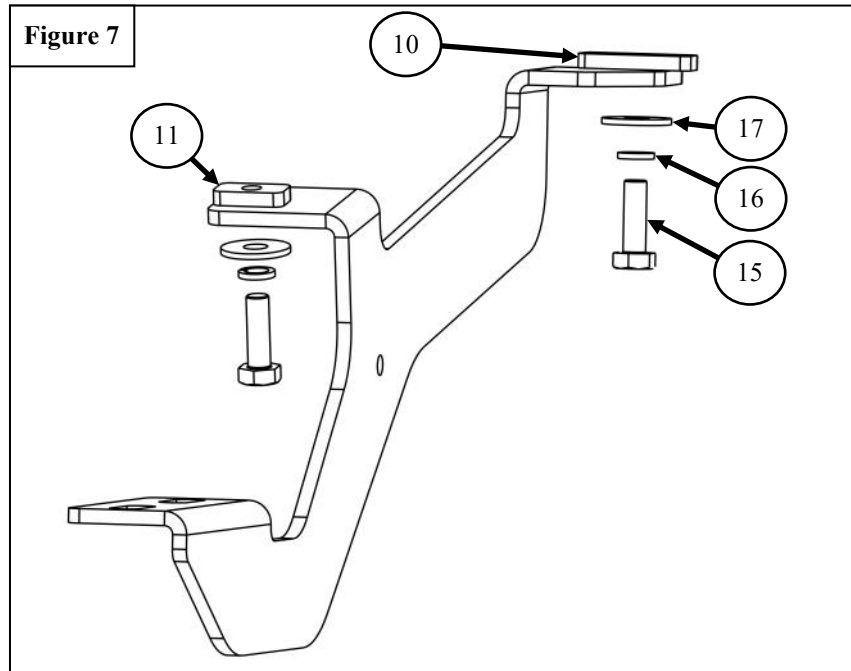
WESTIN

Westin Automotive Products, Inc.
320 W. Covina Blvd
San Dimas, Ca. 91773

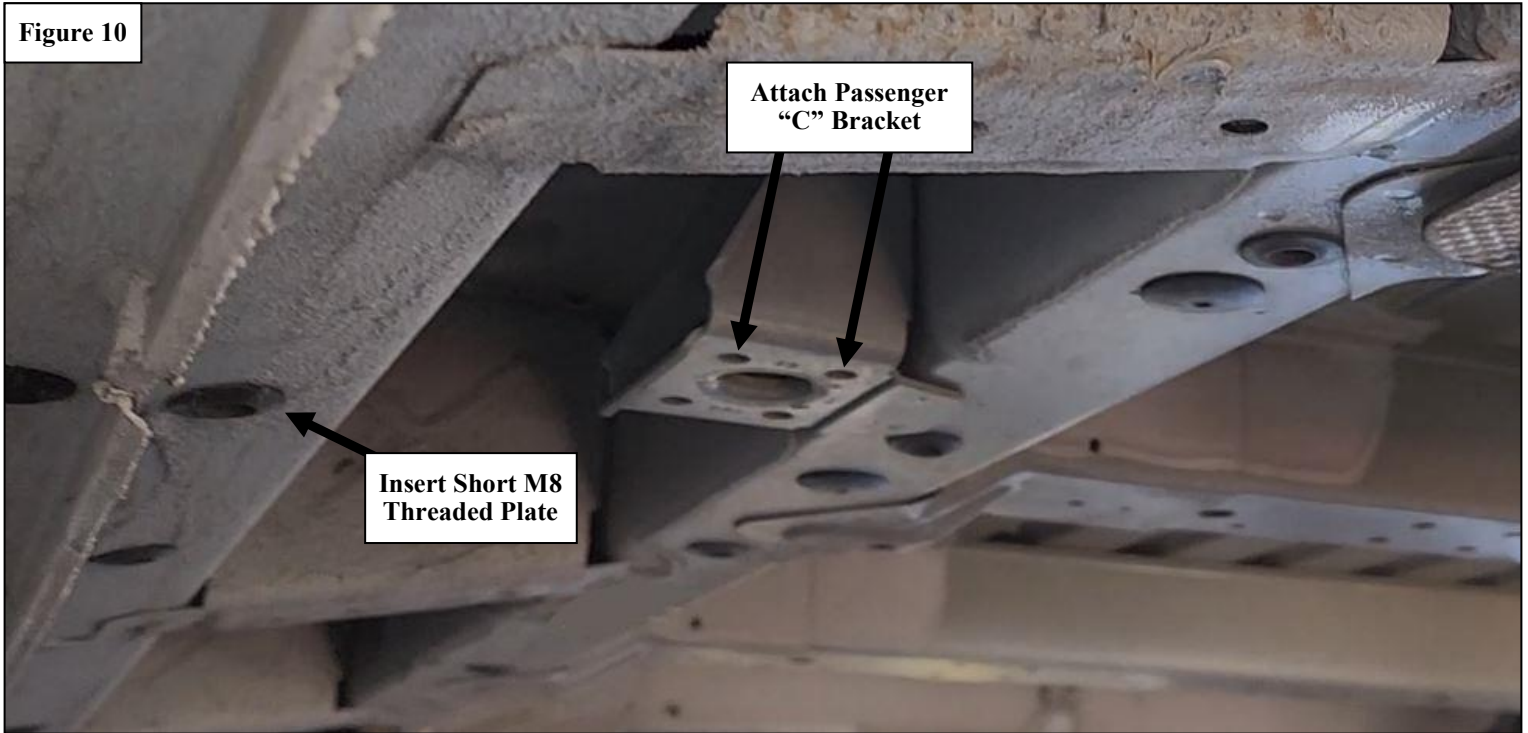
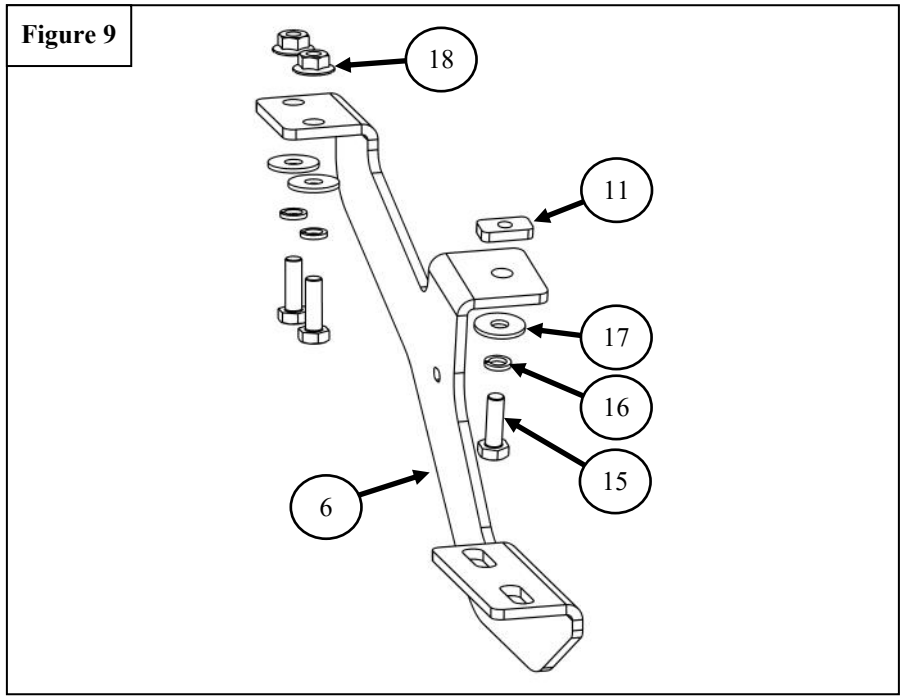
7. Insert (2) Long M8 Threaded Plates through the holes used to install Driver "C" Bracket. See **Figures 5-6**.
8. Using the provided hardware, loosely attach Driver "C" Bracket (**item 5**). See **Figure 5**.



9. Insert (1) Long M8 Threaded Plate and (1) Short M8 Threaded Plate in the two holes used to install Passenger “B” Bracket. See **Figures 7-8**.
10. Using the provided hardware, loosely attach the Passenger “B” Bracket (**item 4**). See **Figure 7**.



11. Insert (1) Short M8 Threaded Plate (**item 11**) in the hole used to install Passenger “C” Bracket. See **Figures 9-10**.
12. Using the provided M8 hardware, loosely attach the Passenger “C” Bracket (**item 6**). See **Figure 9**.



13. Insert (1) Short M8 Threaded Plate (**item 11**) and (1) Long M8 Threaded Plate (**item 10**) in the holes used to install Passenger “D” Bracket. See **Figures 11-12**.

14. Using the provided M8 hardware, loosely attach the Passenger “D” Bracket (**item 7**). See **Figure 11**.

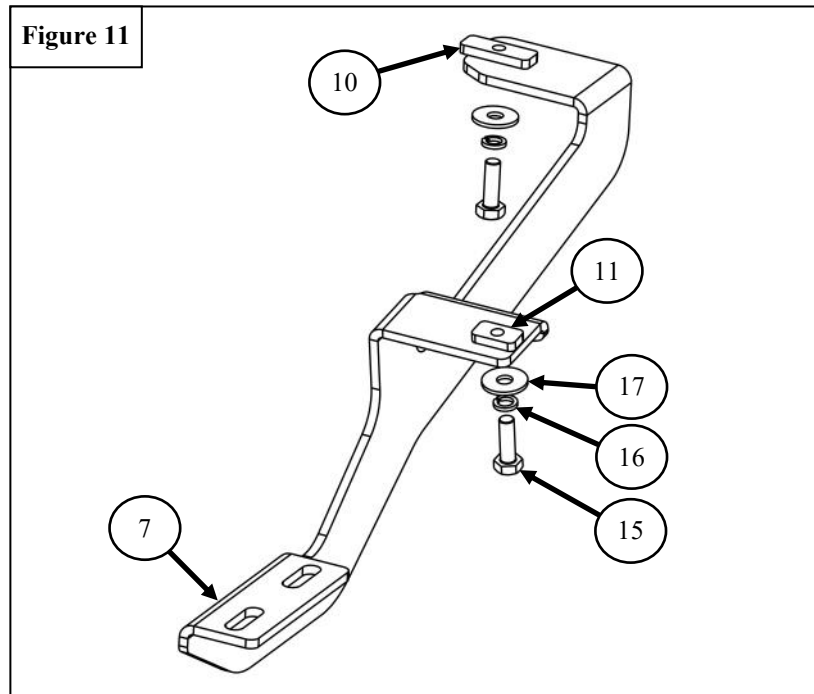
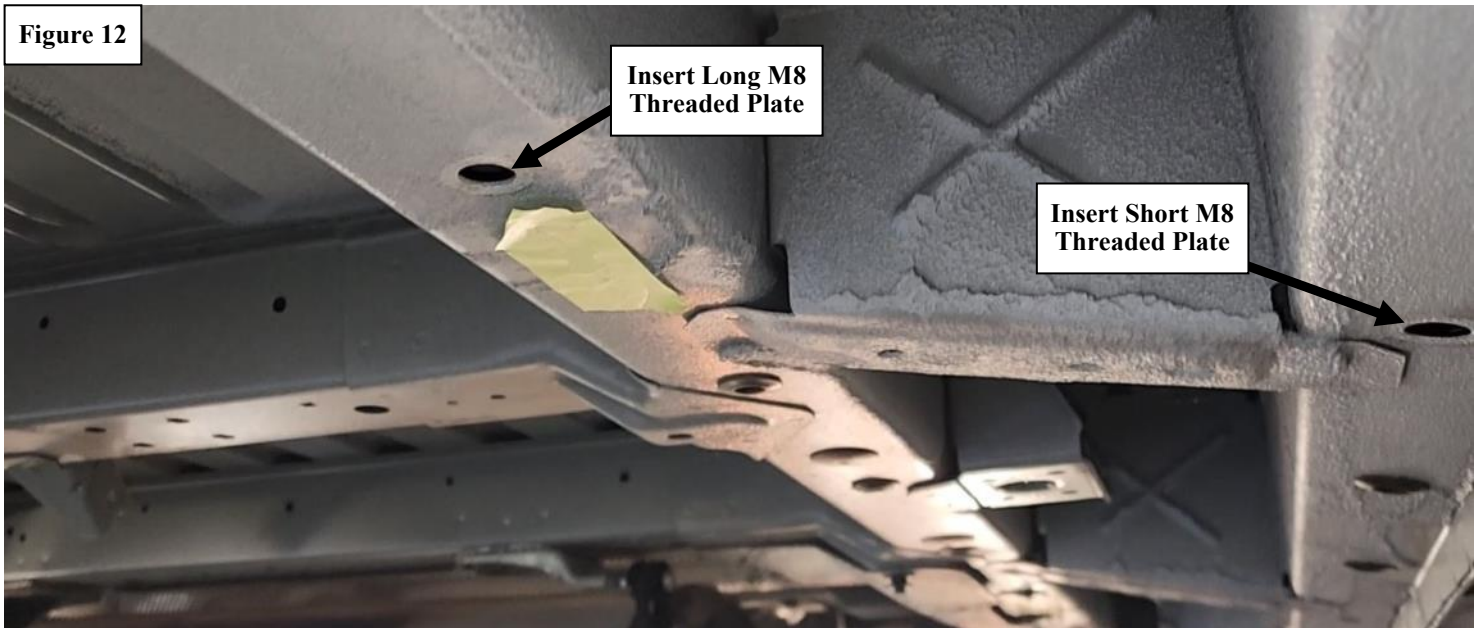


Figure 12



15. Refer to the installation sheet included with the Grate Steps Running Boards for running board installation instructions.

16. Align and adjust the brackets and running board as needed. Tighten and torque all hardware installed to the provided torque specs: M8 hardware to 18 ft-lbs, and M10 hardware to 38 ft-lbs.

INSTALLATION COMPLETE



CARE INSTRUCTIONS

- REGULAR WAXING IS RECOMMENDED. DO NOT USE ANY TYPE OF POLISH OR WAX THAT MAY CONTAIN ABRASIVES.
- STAINLESS STEEL PRODUCTS CAN BE CLEANED WITH MILD SOAP AND WATER. STAINLESS STEEL POLISH SHOULD BE USED TO POLISH SMALL SCRATCHES.
- GLOSS BLACK FINISHES SHOULD BE CLEANED WITH MILD SOAP AND WATER.

WESTIN

Westin Automotive Products, Inc.
320 W. Covina Blvd
San Dimas, Ca. 91773

Thank you for choosing Westin products
for additional installation assistance please call
Customer Service (800) 793-7846
www.westinautomotive.com



WARNING



Failure to follow these instructions could lead to death, personal injury, and / or property damage.

Failure to follow these instructions could lead to death, personal injury, and / or property damage.

FASTENERS:

All Westin supplied fasteners must be utilized and installed in accordance with the installation instructions and apply torque to the specifications as defined. **DOUBLE CHECK ALL FASTENERS BEFORE INITIAL USE, AND PERIODICALLY IN THE FUTURE TO ENSURE PROPER FUNCTION AND SAFETY.**

DRILLING:

Most Westin products do not require drilling for installation. If drilling is defined as required, use caution when drilling a vehicle. **FAILURE TO REVIEW AN AREA TO BE DRILLED MAY RESULT IN PERSONAL INJURY AND/OR INJURY TO OTHERS AS WELL AS VEHICLE DAMAGE.**

EYE PROTECTION:

ALWAYS WEAR SAFETY GLASSES OR GOGGLES DURING THE INSTALLATION PROCESS TO AVOID PERSONAL INJURY.

MAXIMUM TOWING/CARRYING CAPACITY: (if applicable)

The Westin Receiver Hitches will have a visible tow rating label affixed directly on the product. User should never exceed the vehicle manufacturers maximum tow and weight rating regardless of the capacity of the hitch. **FAILURE TO FOLLOW THESE GUIDELINES WILL VOID THE WESTIN WARRANTY AND MAY RESULT IN PERSONAL INJURY AND/OR INJURY TO OTHERS AS WELL AS VEHICLE DAMAGE.**

FOR CALIFORNIA RESIDENTS ONLY-PROP 65 WARNING:

Some products may contain chemicals such as DEHP, which can cause cancer, birth defects or other reproductive harm. For more info go to www.p65warnings.ca.gov



Westin Automotive Products, Inc.
320 W. Covina Blvd
San Dimas, Ca. 91773