

INSTALLATION INSTRUCTIONS

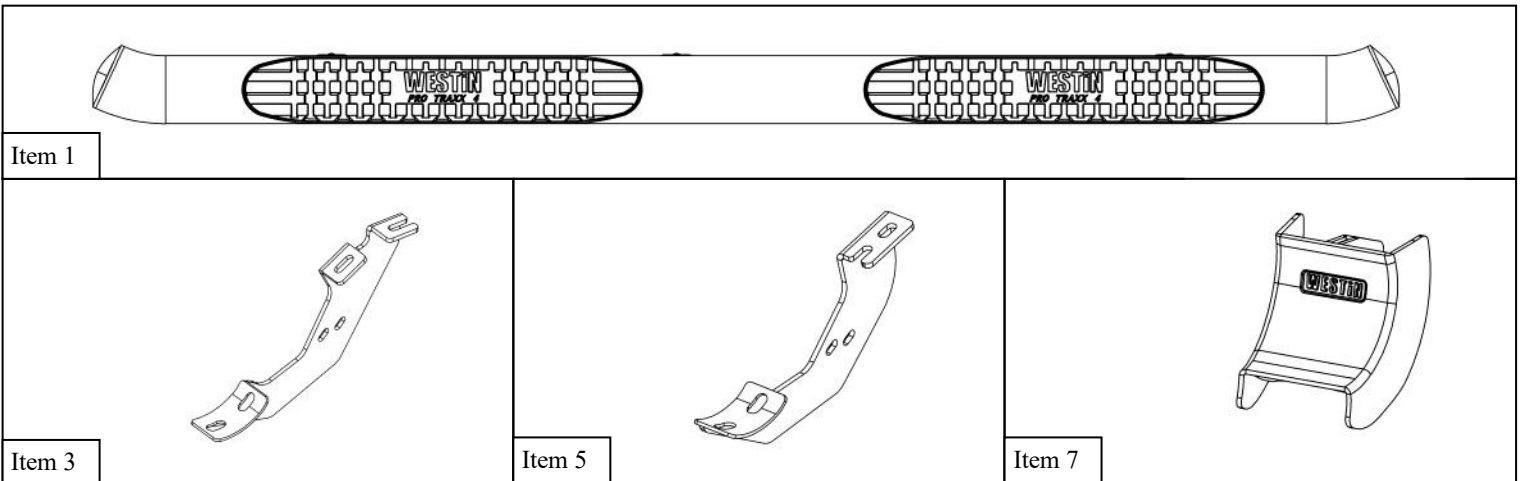
PRO TRAXX 4 OVAL STEP BAR



APPLICATION:
TACOMA DOUBLE CAB 2024
PART NUMBER:
21-22785

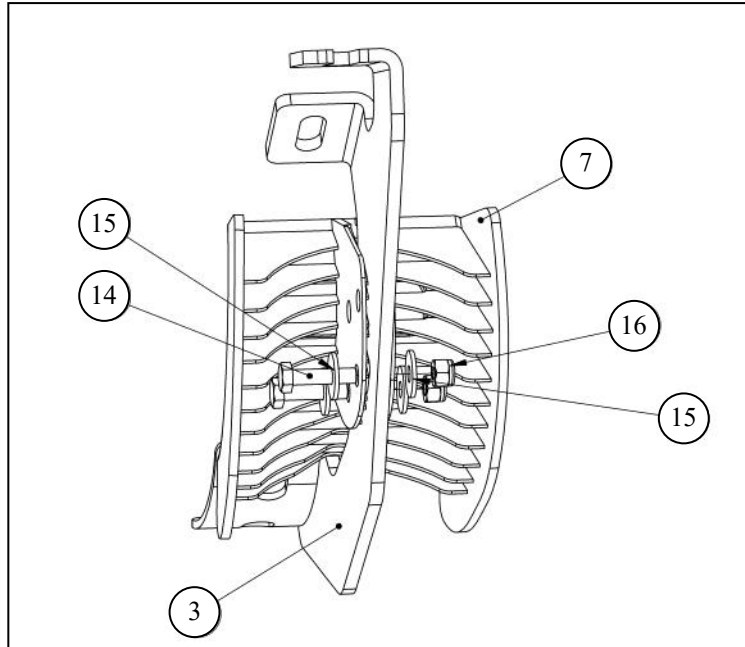
CONTENT			
ITEM	QUANTITY	DESCRIPTION	TOOLS NEEDED
1	1	DRIVER STEP BAR ASSEMBLY	13MM SOCKET
2	1	PASSENGER STEP BAR ASSEMBLY	HEX KEY TOOL
3	1	DRIVER FRONT MOUNTING BRACKET	RATCHET
4	1	PASSENGER FRONT MOUNTING BRACKET	TORQUE WRENCH
5	2	DRIVER MOUNTING BRACKET "B"	
6	2	PASSENGER MOUNTING BRACKET "B"	
7	6	BRACKET COVER	
8	12	M8 HEX HEAD CAP SCREW (YELLOW ZINC)	
9	12	M8 SPLIT LOCK WASHER (YELLOW ZINC)	
10	12	M8 FLAT WASHER (YELLOW ZINC)	
11	12	M10 BUTTON HEAD BOLT (BLACK ZINC)	
12	12	M10 INTERNAL TOOTHED LOCK WASHER (BLACK ZINC)	
13	12	M10 FLAT WASHER (BLACK ZINC)	
14	12	M6 HEX HEAD BOLT (YELLOW ZINC)	
15	24	M6 FLAT WASHER (YELLOW ZINC)	
16	12	M6 NYLON LOCK NUT (YELLOW ZINC)	

ANTI-SEIZE LUBRICANT MUST BE USED ON ALL STAINLESS STEEL FASTENERS TO PREVENT THREAD DAMAGE AND GALLING



PROCEDURE

1. Remove contents from box, verify if all parts listed are present and free from damage.
Carefully read and understand all instructions before attempting installation.
Failure to identify damage before installation could lead to a rejection of any claim.
2. Loosely install the (6) Bracket Covers (**item 7**) onto the brackets using the M6 hex head cap screw hardware (**items 15-17**)
See **Figure 1**.

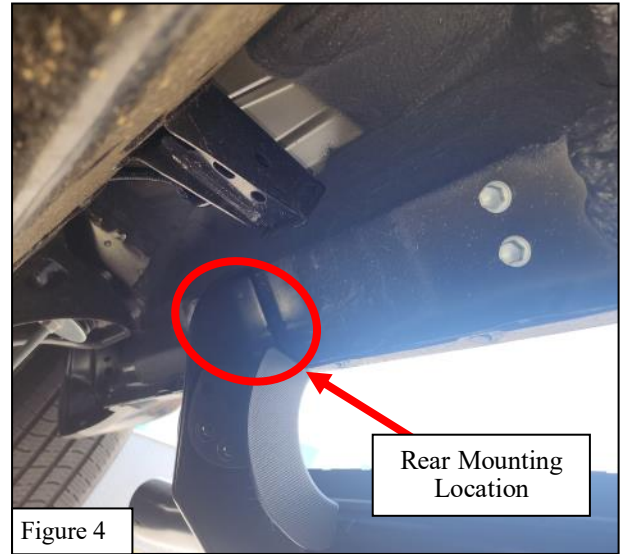


3. Locate the front mounting holes on the driver side of the vehicle and remove the factory bolts.
4. Loosely install the Driver Front Mounting Bracket (**item 3**) using the M8 hardware (**items 8-10**). See **Figure 2**.

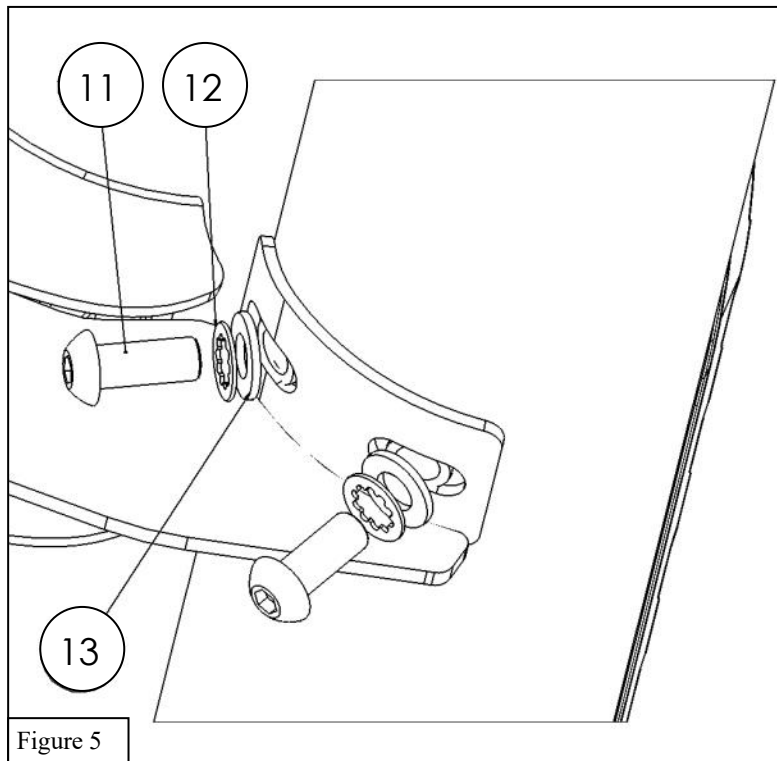


Figure 2

5. Remove the factory hardware from the center and rear mounting holes.
6. Loosely install (1) Driver Mounting Bracket "B" (**item 5**) in the center mounting location using the M8 hardware (**items 8-10**). See **Figure 3**.
7. Loosely install (1) Driver Mounting Bracket "B" (**item 5**) in the rear mounting location using the M8 hardware (**items 8-10**). See **Figure 4**.



8. Repeat Steps 2-7 on the passenger side of the vehicle.
9. Loosely install the step bars to the mounting brackets using the M10 hardware (11-13). See **Figure 5**.
10. Align and adjust the step bars as needed and fully tighten all hardware. Torque all M6 fasteners to 5-7 ft-lbs, all M8 fasteners to 15-18 ft-lbs, and all M10 fasteners to 30-35 ft-lbs.



INSTALLATION COMPLETE



CARE INSTRUCTIONS

- REGULAR WAXING IS RECOMMENDED. DO NOT USE ANY TYPE OF POLISH OR WAX THAT MAY CONTAIN ABRASIVES.
- STAINLESS STEEL PRODUCTS CAN BE CLEANED WITH MILD SOAP AND WATER. STAINLESS STEEL POLISH SHOULD BE USED TO POLISH SMALL SCRATCHES.
- GLOSS BLACK FINISHES SHOULD BE CLEANED WITH MILD SOAP AND WATER.

WESTIN

Westin Automotive Products, Inc.
320 W. Covina Blvd
San Dimas, Ca. 91773

Thank you for choosing Westin products
for additional installation assistance please call
Customer Service (800) 793-7846
www.westinautomotive.com



WARNING



Failure to follow these instructions could lead to death, personal injury, and / or property damage.

Failure to follow these instructions could lead to death, personal injury, and / or property damage.

FASTENERS:

All Westin supplied fasteners must be utilized and installed in accordance with the installation instructions and apply torque to the specifications as defined. **DOUBLE CHECK ALL FASTENERS BEFORE INITIAL USE, AND PERIODICALLY IN THE FUTURE TO ENSURE PROPER FUNCTION AND SAFETY.**

DRILLING:

Most Westin products do not require drilling for installation. If drilling is defined as required, use caution when drilling a vehicle. **FAILURE TO REVIEW AN AREA TO BE DRILLED MAY RESULT IN PERSONAL INJURY AND/OR INJURY TO OTHERS AS WELL AS VEHICLE DAMAGE.**

EYE PROTECTION:

ALWAYS WEAR SAFETY GLASSES OR GOGGLES DURING THE INSTALLATION PROCESS TO AVOID PERSONAL INJURY.

MAXIMUM TOWING/CARRYING CAPACITY: (if applicable)

The Westin Receiver Hitches will have a visible tow rating label affixed directly on the product. User should never exceed the vehicle manufacturers maximum tow and weight rating regardless of the capacity of the hitch. **FAILURE TO FOLLOW THESE GUIDELINES WILL VOID THE WESTIN WARRANTY AND MAY RESULT IN PERSONAL INJURY AND/OR INJURY TO OTHERS AS WELL AS VEHICLE DAMAGE.**

FOR CALIFORNIA RESIDENTS ONLY-PROP 65 WARNING:

Some products may contain chemicals such as DEHP, which can cause cancer, birth defects or other reproductive harm. For more info go to www.p65warnings.ca.gov



Westin Automotive Products, Inc.
320 W. Covina Blvd
San Dimas, Ca. 91773

Thank you for choosing Westin products
for additional installation assistance please call
Customer Service (800) 793-7846
www.westinautomotive.com