

INSTALLATION INSTRUCTIONS



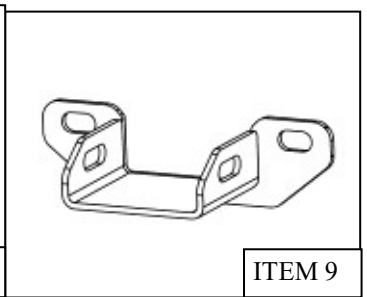
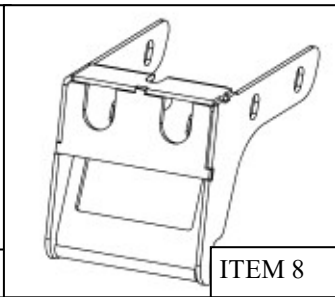
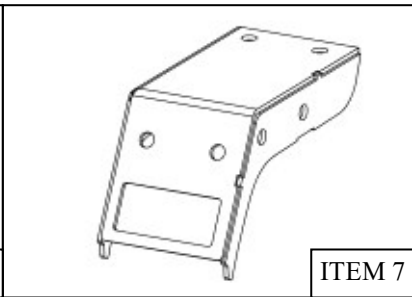
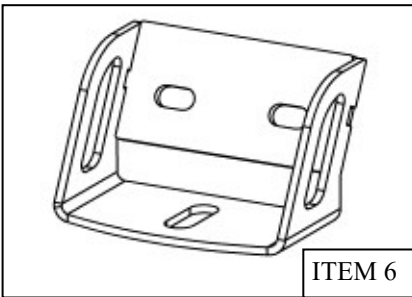
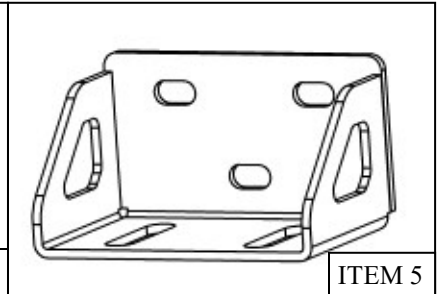
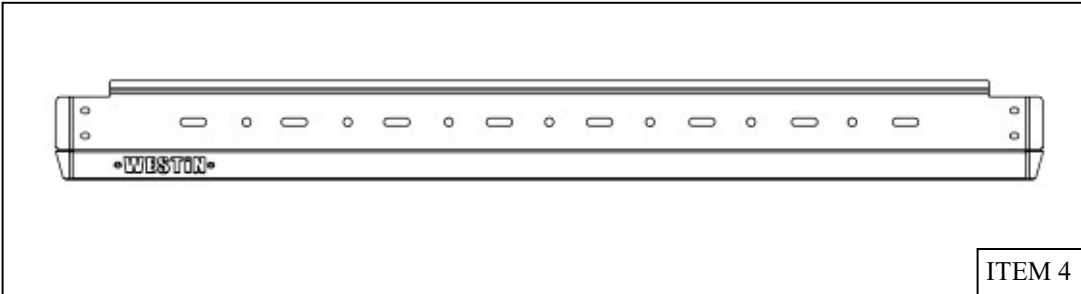
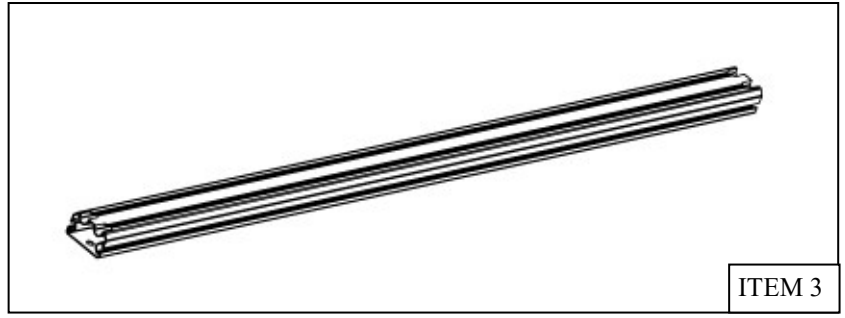
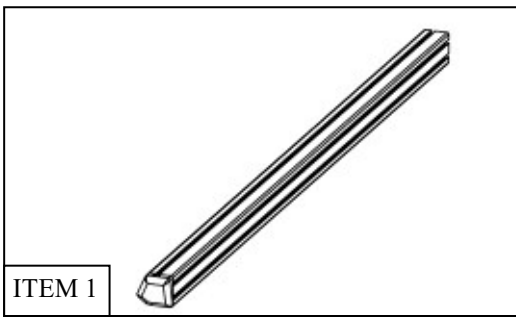
MESA ROOF RACK
APPLICATION:

WRANGLER JL UNLIMITED 4Dr 2018-2024

PART NUMBER:
15-00075

CONTENT			
ITEM	QUANTITY	DESCRIPTION	TOOLS NEEDED
1	1	DRIVER RAIL RACK ASSEMBLY	
2	1	PASSENGER RAIL RACK ASSEMBLY	
3	3	CROSS RAIL	
4	1	VISOR	
5	4	INNER BRACKET	
6	4	OUTER BRACKET	
7	4	BOTTOM BRACKET	
8	4	BOTTOM HOOK BRACKET	
9	6	CROSS RAIL BRACKET	
10	54	M6 SLIDE NUT	
11	78	M6 BUTTON HEAD SCREW	
12	78	M6 SPLIT LOCK WASHER	
13	78	M6 FLAT WASHER	
14	12	M8 HEX HEAD SCREW	
15	12	M8 FLAT WASHER	
16	12	M8 SPLIT LOCK WASHER	
17	8	M8 SERRATED FLANGE NUT	

ANTI-SEIZE LUBRICANT MUST BE USED ON ALL STAINLESS STEEL FASTENERS TO PREVENT THREAD DAMAGE AND GALLING



PROCEDURE

1. Remove contents from box, verify if all parts listed are present and free from damage.
Carefully read and understand all instructions before attempting installation.
Failure to identify damage before installation could lead to a rejection of any claim.

2. Start by locating bottom hook bracket (item 10) and bottom bracket (item 9) and attach them using only the M6 Button head screw hardware (items 13-15). See **Figure 1 & 2** for reference.
3. Hook the bottom hook bracket (item 10) and bottom bracket (item 9) to the rain gutter. See **Figure 2**.
*Note: See **Figures 10 & 13** for location reference.*
4. Place the side rails (items 1&2) onto the brackets.
5. Attach the inner bracket (item 7) to the bottom bracket (item 9) using the M8 hex head screw hardware (items 16 – 19). Make sure to push the bottom bracket up as much as possible to reduce the gap. See **Figure 3& 4**. When installing the M8 hardware make sure to leave a gap where the holes align with the top groove of the side rail rack (items 1&2). **Figure 5**.
Note: When hooking the front brackets to the vehicle, measure the side rails and visor to leave clearance to remove front roof tops. When hooking the back brackets it is recommended to align the ends of the side rails to the back gap line.
*Note: use **Figures 10 & 13** as reference to locate brackets.*
Note: Loosely install ALL hardware.

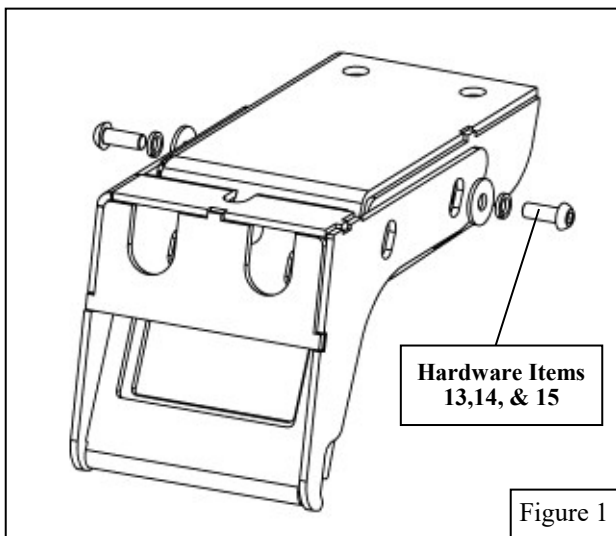


Figure 1



Figure 2

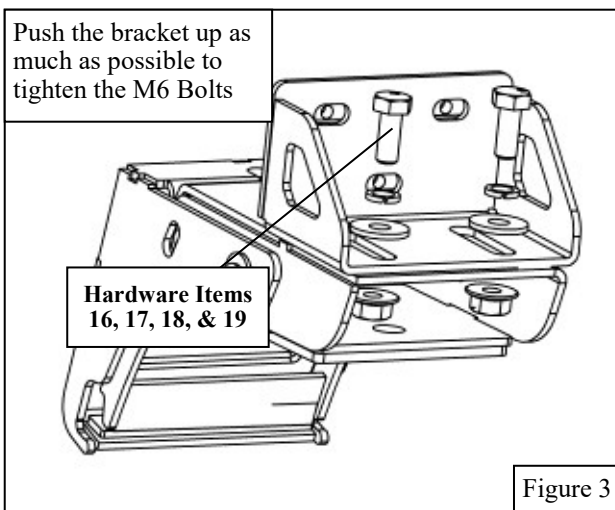


Figure 3



Figure 4

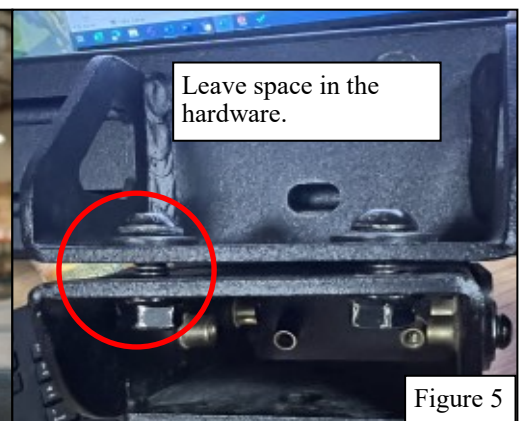
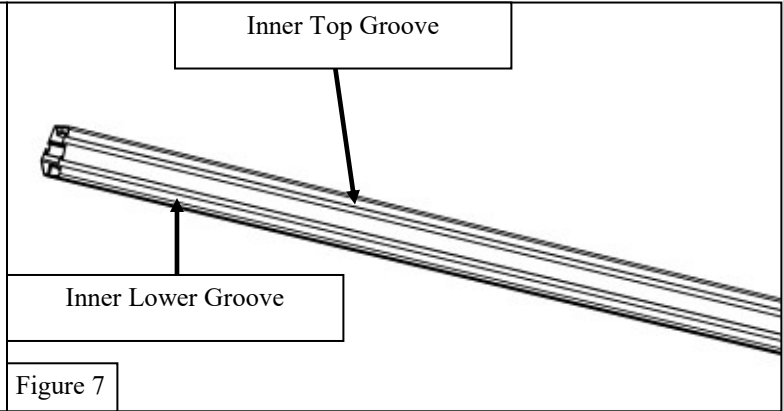
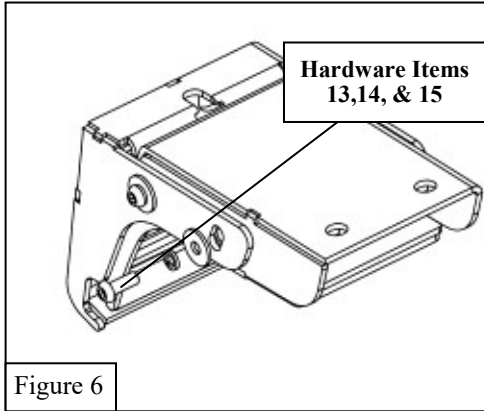
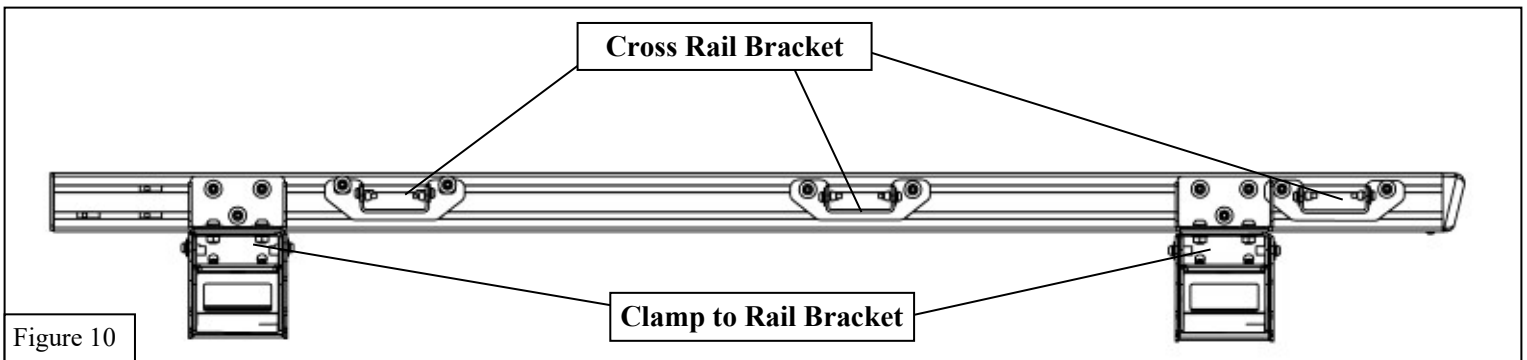
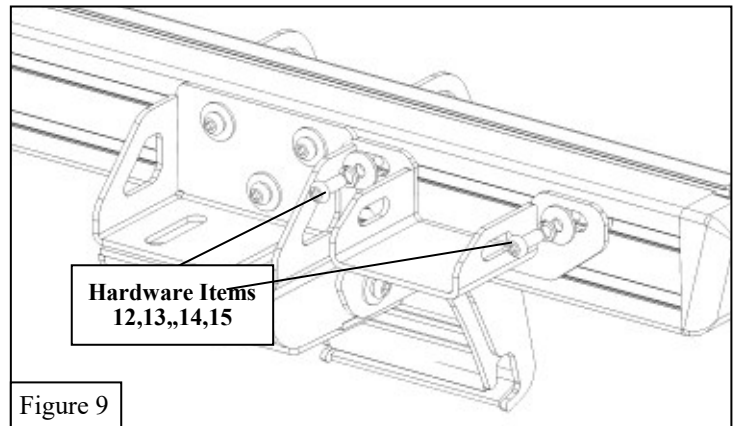
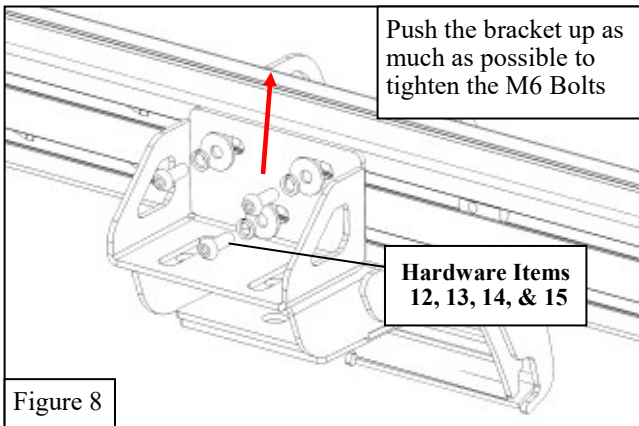


Figure 5

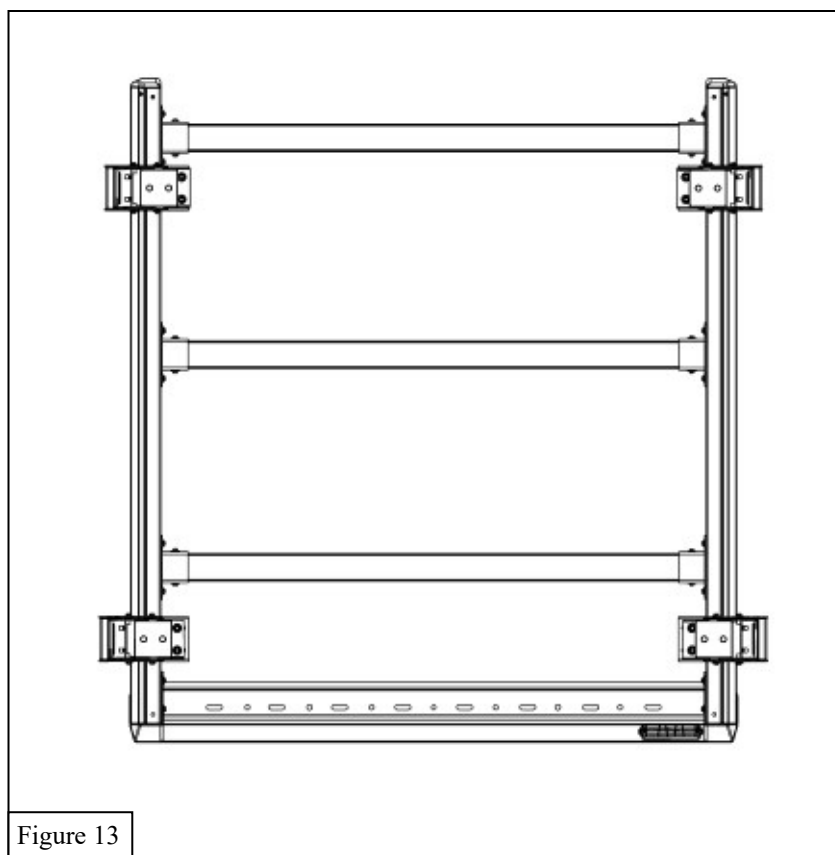
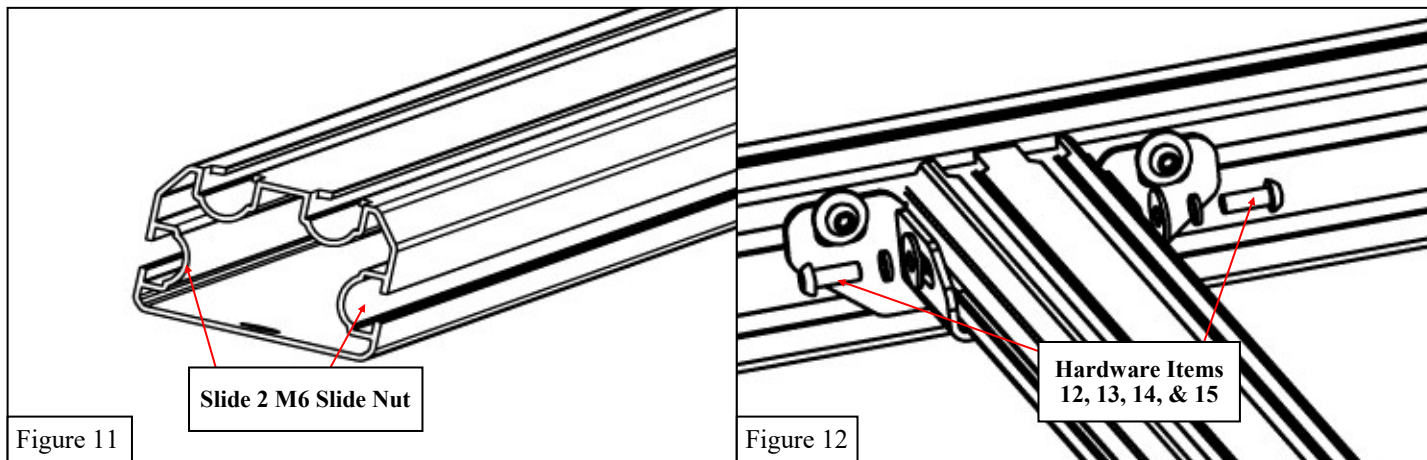
- Loosely Install M6 hardware (items 13-15) onto the Bottom hook bracket (item 10). See **Figure 6**.
- Locate the driver side rail rack (item 1) and passenger side rail rack (item 2) to begin to pre-install M6 Slide nuts (item 12). You will need to put 10 M6 Slide Nuts on the inside top groove, 2 M6 Slide Nuts on the inside bottom groove, and 4 M6 Slide Nuts on the outside groove. See **Figure 7**.



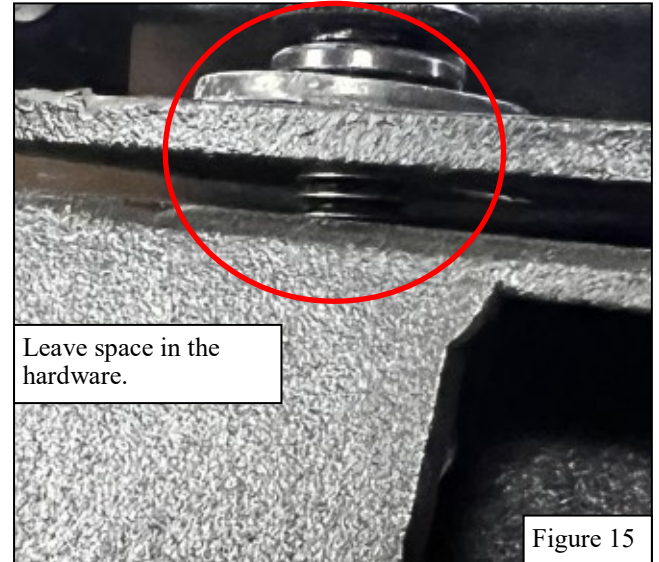
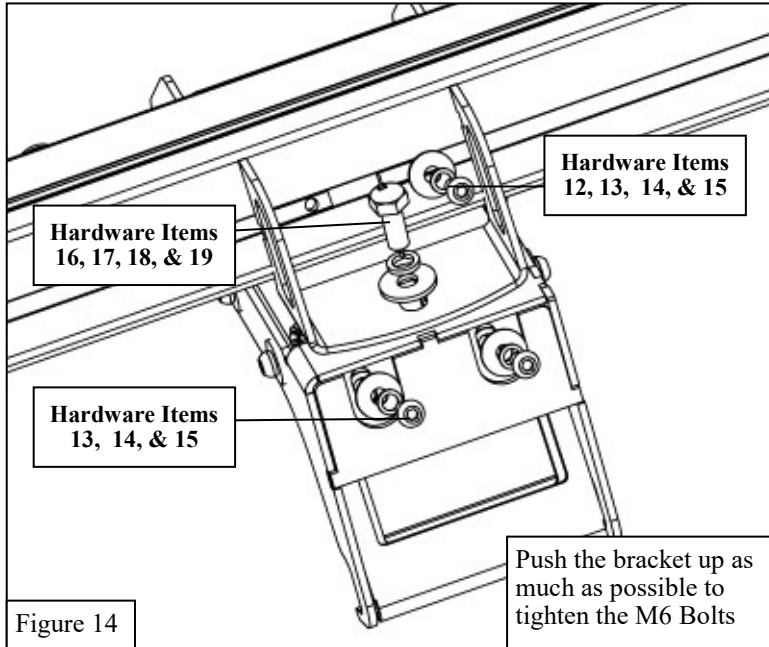
- Loosely attach the inner bracket (item 7) to the Side rail racks (items 1 & 2) using M6 hardware (items 13-15).
*Note: It is important to keep the brackets loose enough to adjust the Rail Racks. In addition, make sure to keep 1 M6 Slide Nuts on the top and bottom groove at the of the front rails ; and 2 M6 Slide Nuts at the end on the top groove at the end of the rails. See **Figures 8 & 10**.*
- Loosely install the Cross Rail Brackets (item 11) to the Side rail racks (items 1 & 2) using M6 hardware. See **Figures 9 & 10**.



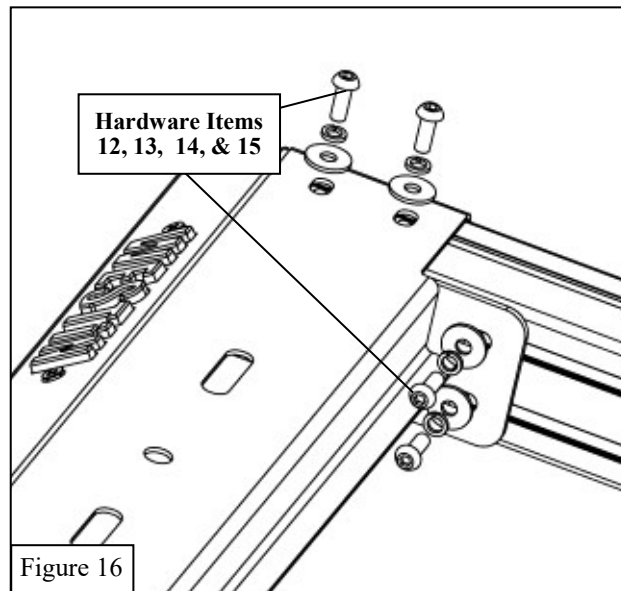
9. Slide 2 M6 Slide Nuts on the left and right side of the cross rail (Item 11). See **Figure 11**.
10. Using the provided hardware, loosely attach the Cross Rail (Item 3) to the Cross Rail Bracket (Item 11) between the Driver and Passenger Side Rail racks (Item 1 & 2). See **Figure 12 & 13** for reference.



11. Slide 4 M6 Slide Nuts onto the groove of the side rail rack.
12. Using M6 hardware (items 12-15) loosely install the outer bracket (item 8) onto the side rail rack. Then use M8 hex head screw hardware (item 16-19) to attach the outer bracket (item 8) to the bottom hook bracket (item 10). See **Figures 14 & 15**.



13. Slide 2 M6 Slide Nuts on the top groove, 1 on the inner top groove, and 1 on the inner bottom groove of the side rail rack (item 1 & 2).
14. Install the visor (item 4) using the M6 hardware (12-15). See **Figure 16**.
15. Tighten all hardware.



INSTALLATION COMPLETE



CARE INSTRUCTIONS

- REGULAR WAXING IS RECOMMENDED. DO NOT USE ANY TYPE OF POLISH OR WAX THAT MAY CONTAIN ABRASIVES.
- STAINLESS STEEL PRODUCTS CAN BE CLEANED WITH MILD SOAP AND WATER. STAINLESS STEEL POLISH SHOULD BE USED TO POLISH SMALL SCRATCHES.
- GLOSS BLACK FINISHES SHOULD BE CLEANED WITH MILD SOAP AND WATER.

WESTIN Westin Automotive Products, Inc.
320 W. Covina Blvd
San Dimas, Ca. 91773

P.N.: 75-1500075

ECO #:W23-0072

Thank you for choosing Westin products
for additional installation assistance please call
Customer Service (800) 793-7846
www.westinautomotive.com

DATE: 04/12/2024



WARNING



Failure to follow these instructions could lead to death, personal injury, and / or property damage.

Failure to follow these instructions could lead to death, personal injury, and / or property damage.

FASTENERS:

All Westin supplied fasteners must be utilized and installed in accordance with the installation instructions and apply torque to the specifications as defined. **DOUBLE CHECK ALL FASTENERS BEFORE INITIAL USE, AND PERIODICALLY IN THE FUTURE TO ENSURE PROPER FUNCTION AND SAFETY.**

DRILLING:

Most Westin products do not require drilling for installation. If drilling is defined as required, use caution when drilling a vehicle. **FAILURE TO REVIEW AN AREA TO BE DRILLED MAY RESULT IN PERSONAL INJURY AND/OR INJURY TO OTHERS AS WELL AS VEHICLE DAMAGE.**

EYE PROTECTION:

ALWAYS WEAR SAFETY GLASSES OR GOGGLES DURING THE INSTALLATION PROCESS TO AVOID PERSONAL INJURY.

MAXIMUM TOWING/CARRYING CAPACITY: (if applicable)

The Westin Receiver Hitches will have a visible tow rating label affixed directly on the product. User should never exceed the vehicle manufacturers maximum tow and weight rating regardless of the capacity of the hitch. **FAILURE TO FOLLOW THESE GUIDELINES WILL VOID THE WESTIN WARRANTY AND MAY RESULT IN PERSONAL INJURY AND/OR INJURY TO OTHERS AS WELL AS VEHICLE DAMAGE.**

FOR CALIFORNIA RESIDENTS ONLY-PROP 65 WARNING:

Some products may contain chemicals such as DEHP, which can cause cancer, birth defects or other reproductive harm. For more info go to www.p65warnings.ca.gov



Westin Automotive Products, Inc.
320 W. Covina Blvd
San Dimas, Ca. 91773