

# INSTALLATION INSTRUCTIONS

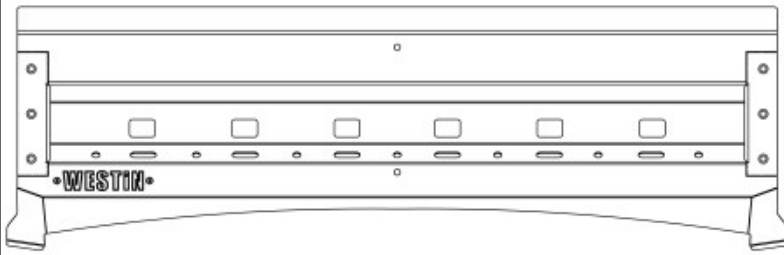
## MESA ROOF RACK



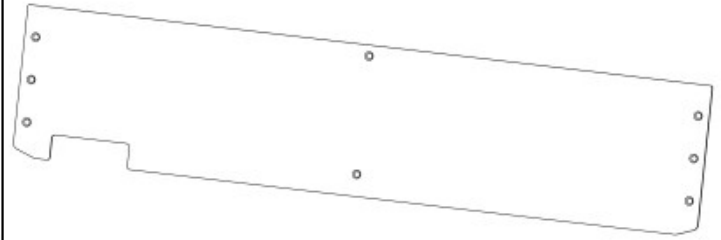
**APPLICATION:**  
2021-2024 Ford Bronco 4dr and 2dr (Excl. Bronco Sport)  
**PART NUMBER:**  
15-00055

CONTENT			
ITEM	QUANTITY	DESCRIPTION	TOOLS NEEDED
1	1	VISOR	
2	1	VISOR COVER	
3	1	FRONT MOUNT DRIVER BRACKET	
4	1	FRONT MOUNT PASSENGER BRACKET	
5	2	CLAMP TO RAIL BRACKET	
6	2	REAR CLAMP BRACKET	
7	2	FRONT MOUNT SPACER PLATE	
8	1	DRIVER SIDE RAIL RACK	
9	1	PASSENGER SIDE RAIL RACK	
10	4	CROSS RAIL	
11	8	CROSS RAIL BRACKET	
12	2	M10 FLAT WASHER	
13	2	M10 SOCKET HEAD SCREW	
14	12	M6 HEX DRIVE FLAT HEAD SCREW (COUNTERSINK)	
15	14	M6 SERRATED FLANGE NUT	
16	46	M6 SLIDE NUT	
17	50	M6 BUTTON HEAD SCREW	
18	50	M6 SPLIT LOCK WASHER	
19	54	M6 FLAT WASHER	
<b>ANTI-SEIZE LUBRICANT MUST BE USED ON ALL STAINLESS STEEL FASTENERS TO PREVENT THREAD DAMAGE AND GALLING</b>			

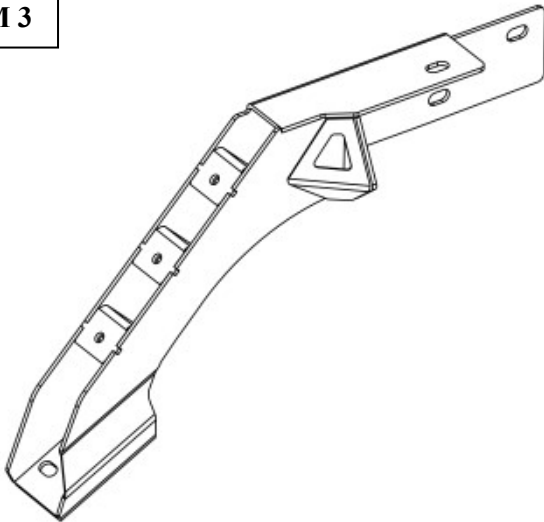
ITEM 1



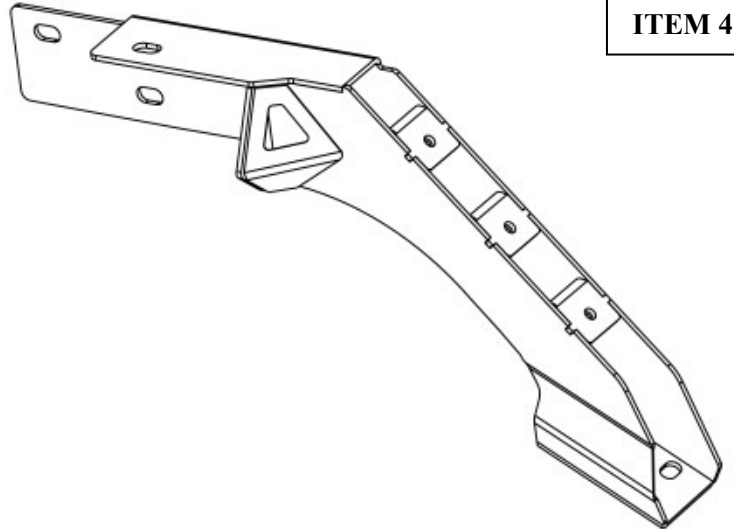
ITEM 2



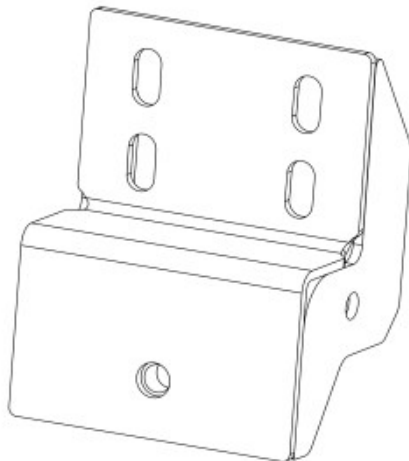
ITEM 3



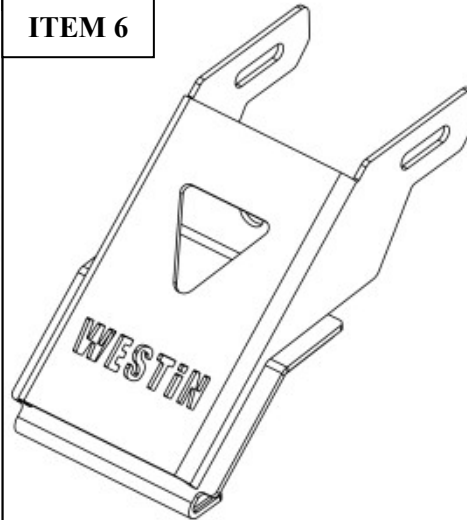
ITEM 4



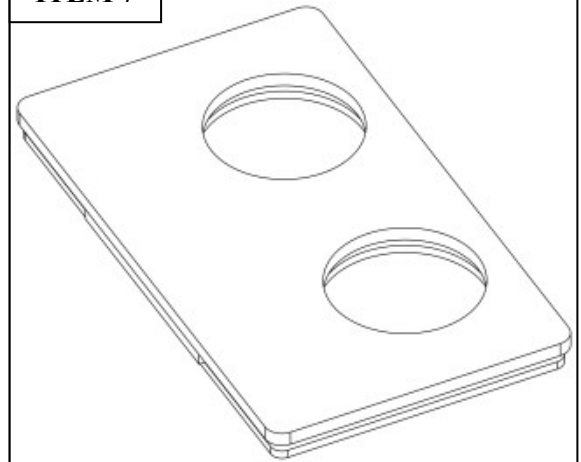
ITEM 5



ITEM 6



ITEM 7



Westin Automotive Products, Inc.  
320 W. Covina Blvd  
San Dimas, Ca. 91773

Thank you for choosing Westin products  
for additional installation assistance please call  
Customer Service (800) 793-7846

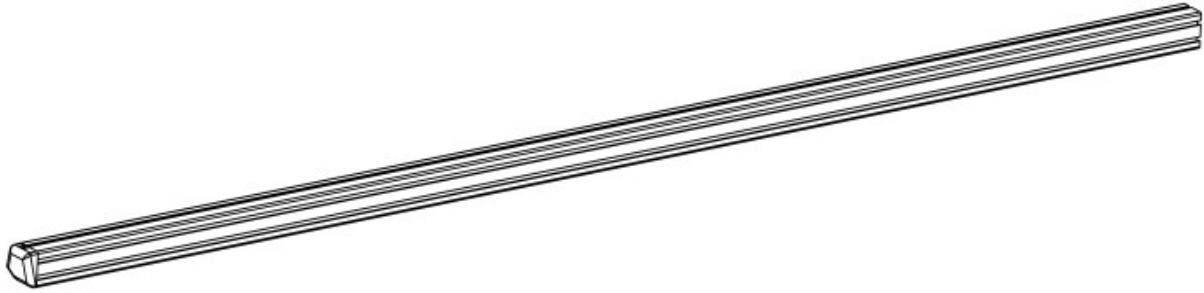
[www.westinautomotive.com](http://www.westinautomotive.com)

DATE: 04/08/2024

ITEM 8



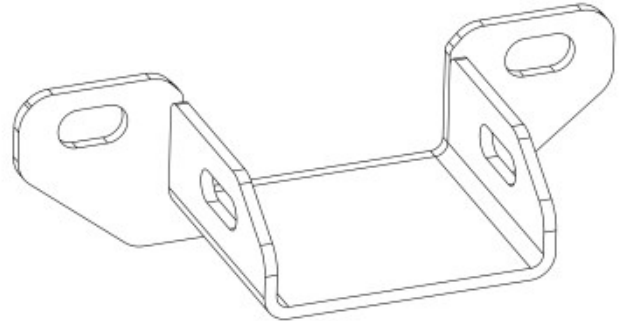
ITEM 9



ITEM 10



ITEM 11



### PROCEDURE

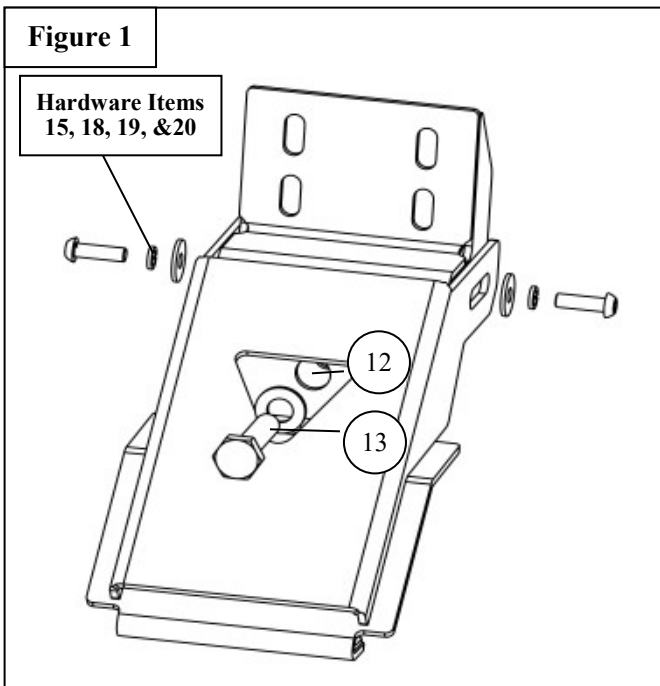
1. Remove contents from box, verify if all parts listed are present and free from damage.  
Carefully read and understand all instructions before attempting installation.  
**Failure to identify damage before installation could lead to a rejection of any claim.**



Westin Automotive Products, Inc.  
320 W. Covina Blvd  
San Dimas, Ca. 91773

2. Using the provided hardware, locate the Rear Clamp Bracket (**Item 6**) and Clamp (**Item 5**). See **Figure 1** for reference.
3. Attach the Rear Clamp Bracket (**Item 6**). See **Figure 2** for reference.
5. Locate the Driver Side Rail Rack (**Item 8**) and Passenger Side Rail Rack (**Item 9**) to begin to pre-install M6 Slide Nut (**Item 16**). You will need to put 12 M6 Slide Nuts on the top groove and 4 M6 Slide Nuts on the bottom groove on both Rail Racks.

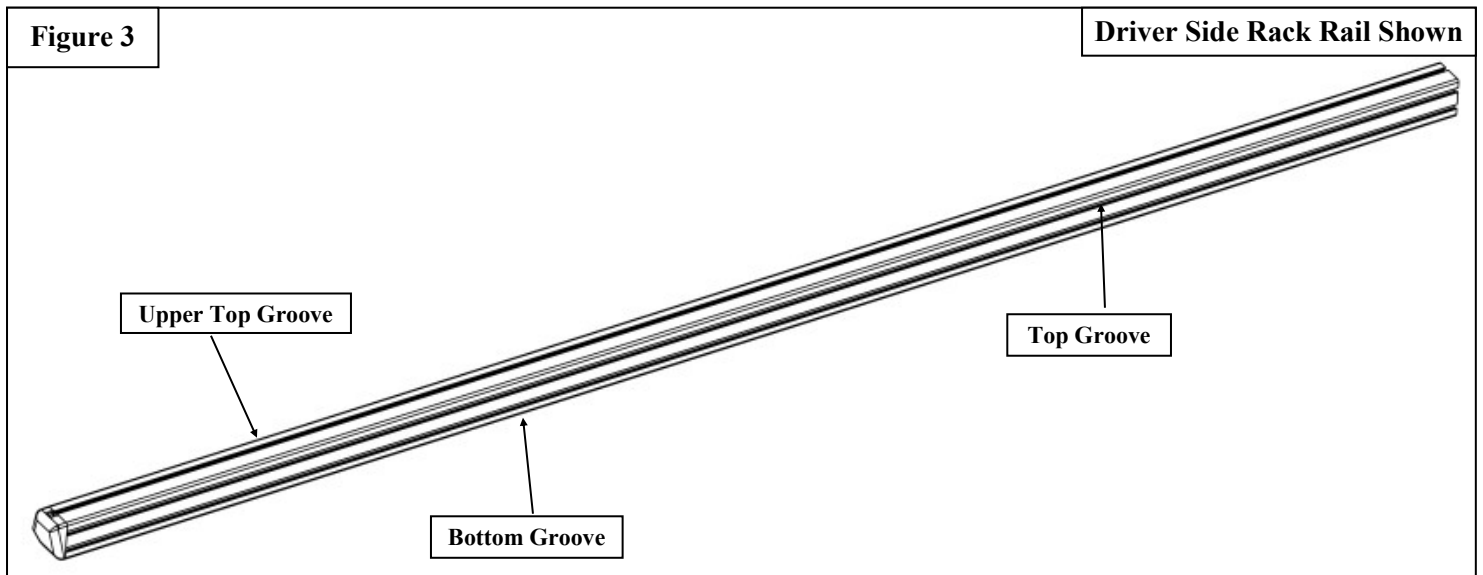
**Figure 1**



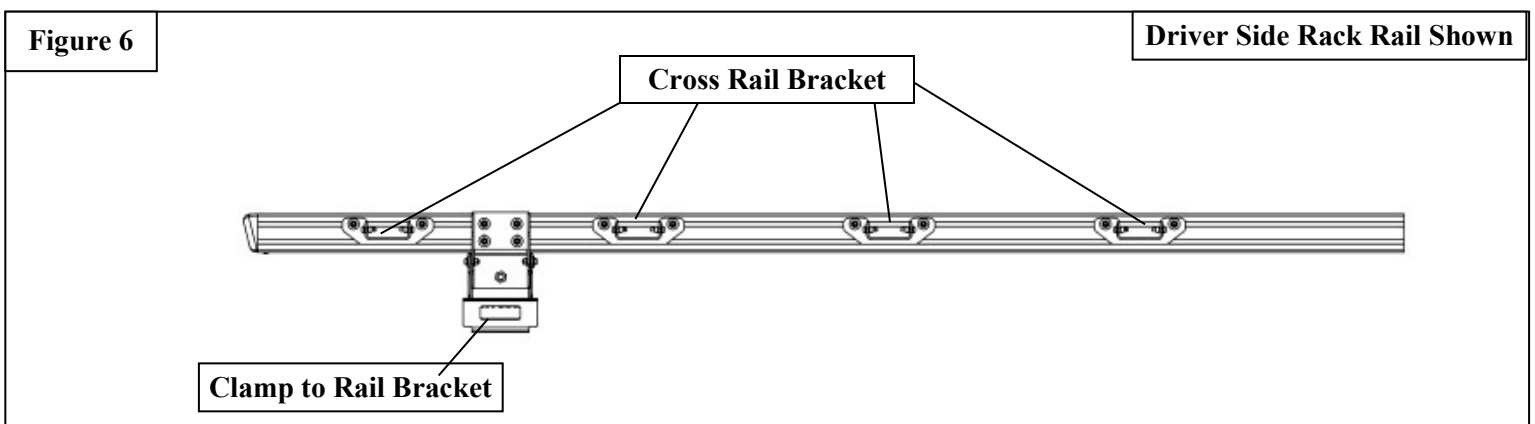
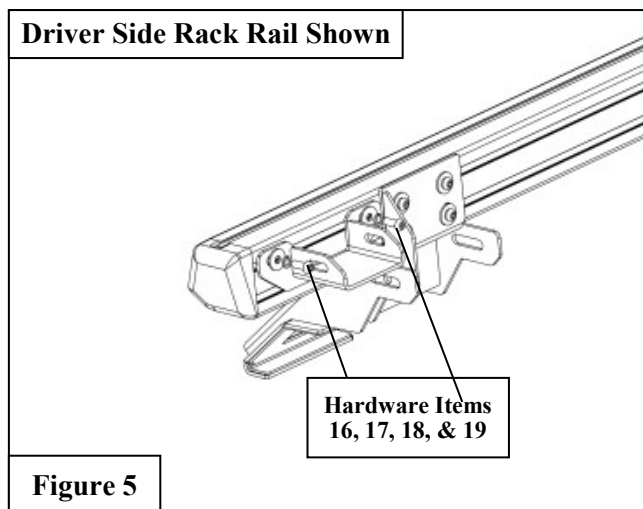
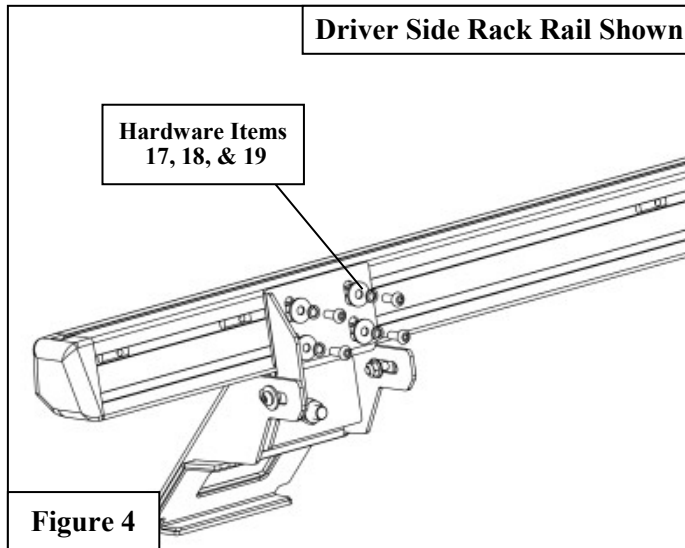
**Figure 2**

**Figure 3**

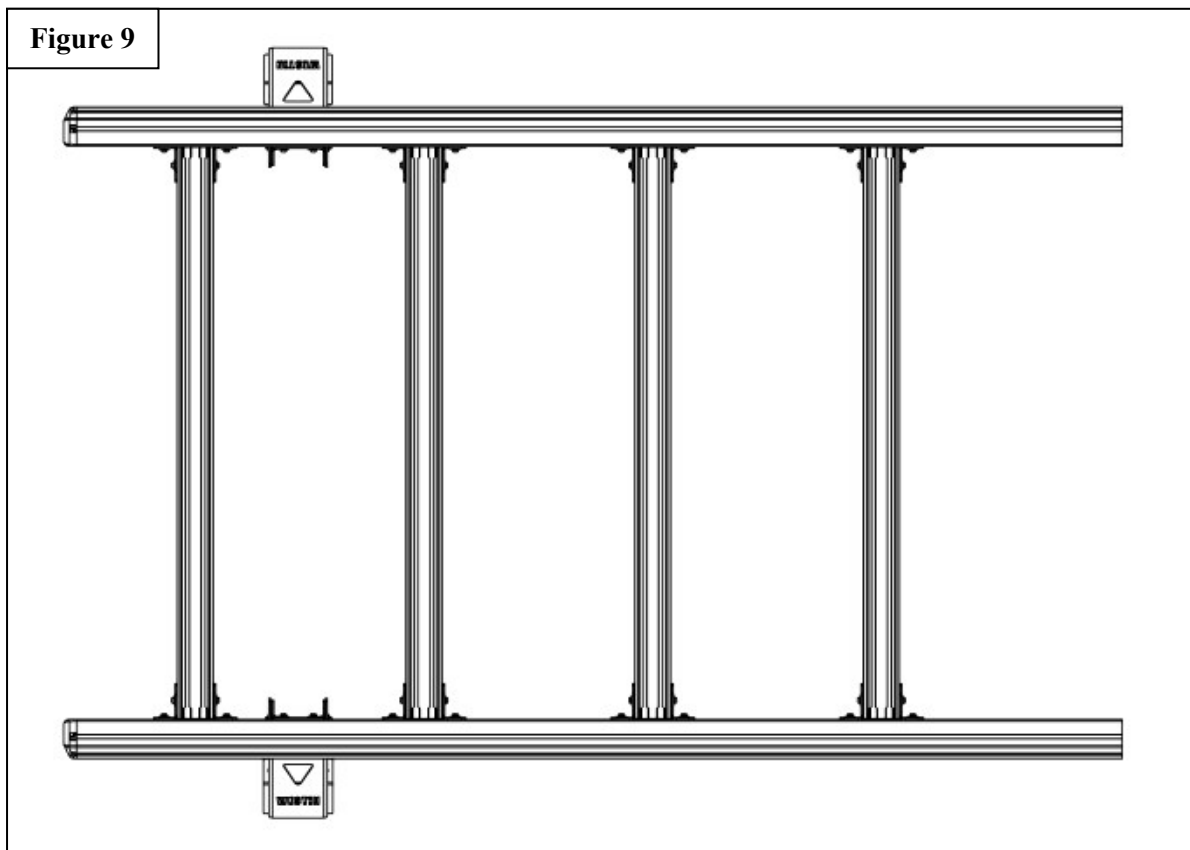
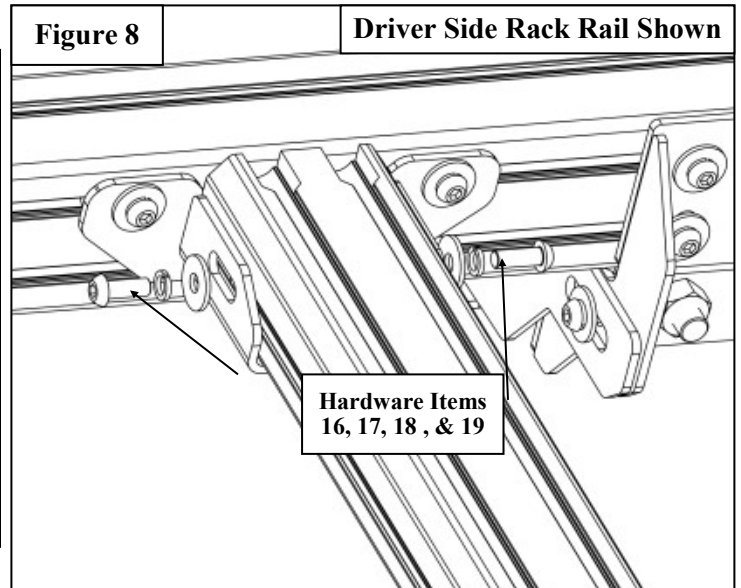
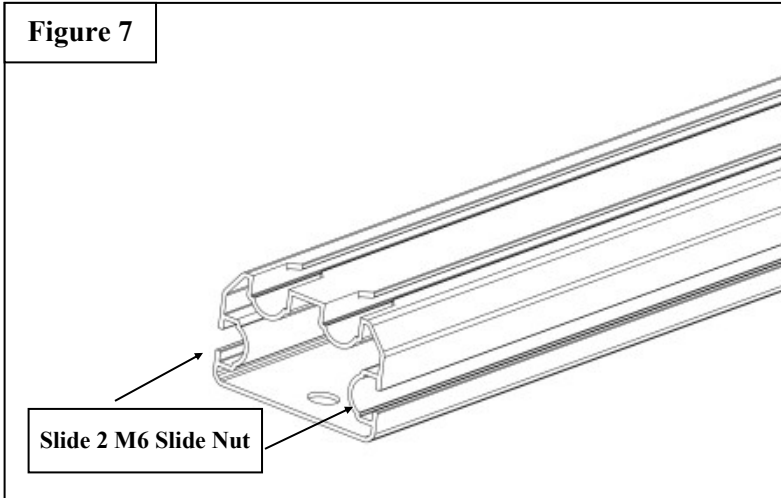
**Driver Side Rack Rail Shown**



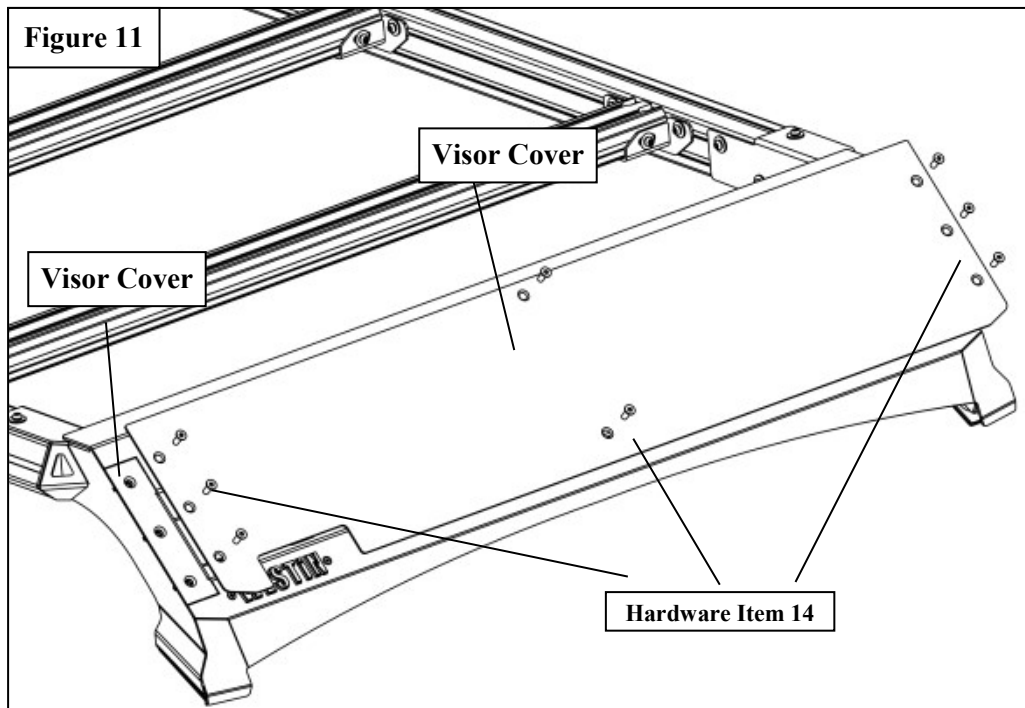
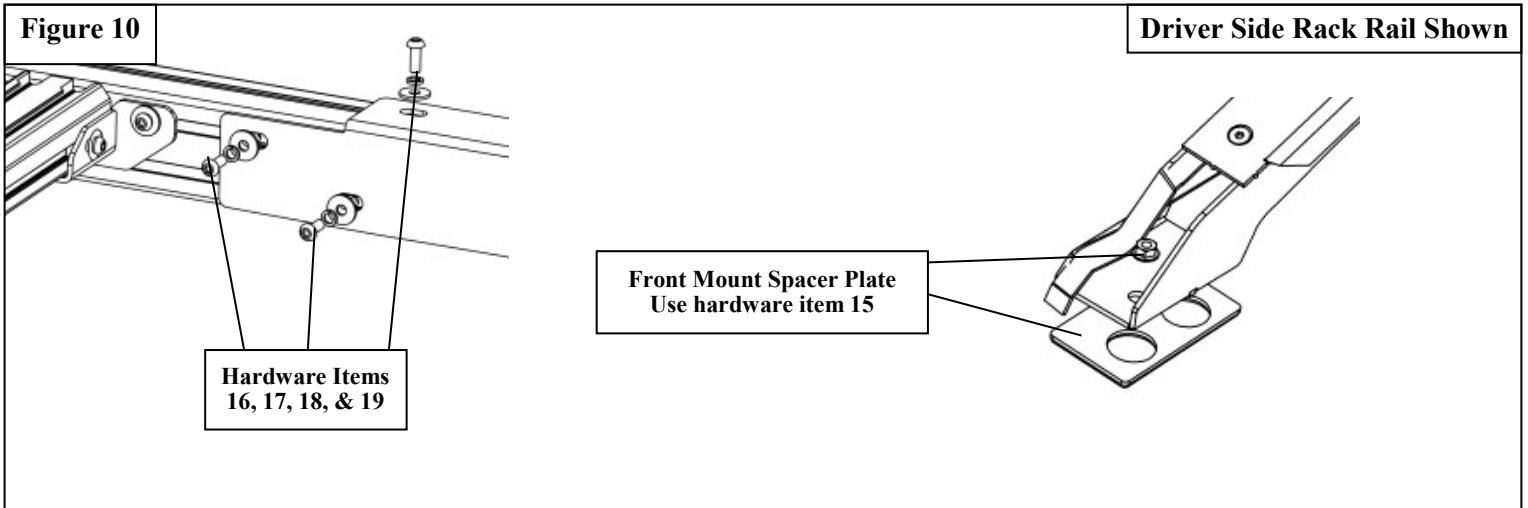
6. Using the hardware provided, loosely attach the Clamp to Rail Bracket (**Items 5**) to the Driver and Passenger Rail Rack (**Items 8 & 9**). **NOTE:** It is important to keep the brackets loose enough to adjust the Rail Racks. In addition, make sure to keep two M6 Slide Nuts at the end of the rails. See **Figure 4 & 6** for reference.
7. Using the hardware provided, loosely install the Cross Rail Bracket (**Item 11**) to the Driver and Passenger Rail Rack (**Items 8 & 9**). See **Figure 5 & 6** for reference.



8. Slide 2 M6 Slide Nut on the left and right side of the Cross Rail (**Item 10**). See **Figure 7** for reference.
9. Using the provided hardware, loosely attach the Cross Rail (**Item 10**) to the Cross Rail Bracket (**Item 11**) between the Driver and Passenger Cross Rail (**Item 8 & 9**). See **Figure 8 & 9** for reference. Add one M6 Slide Nut on both Driver and Passenger Rail Rack (**Item 8 & 9**) on the Upper Top Groove. See **Figure 7** for reference.



10. Remove the Driver's and Passenger's side plastic caps above the windshield to expose the roof mounting locations. Remove the factory hardware and the plastic cover then replace it with the Front Mount Spacer Plate (**Item 7**)
11. Using the hardware provided loosely attach both the Front Mount Driver Bracket (**Item 3**) Front Mount Passenger Bracket (**Item 4**). See **Figure 10** for reference.
12. Using the hardware provided, loosely attach the Visor (**Item 1**) and Visor Cover (**Item 2**) to the Front Mount Driver and Passenger Bracket (**Item 3 & 4**). See **Figure 11** for reference.
13. Align and adjust the Mesa Roof Rack and mounting bracket as necessary. Fully tighten and torque all hardware as specified: M10 hardware to 35 ft-lbs. and M6 hardware to 5-7 ft-lbs.



## INSTALLATION COMPLETE



### CARE INSTRUCTIONS

- REGULAR WAXING IS RECOMMENDED. DO NOT USE ANY TYPE OF POLISH OR WAX THAT MAY CONTAIN ABRASIVES.
- STAINLESS STEEL PRODUCTS CAN BE CLEANED WITH MILD SOAP AND WATER. STAINLESS STEEL POLISH SHOULD BE USED TO POLISH SMALL SCRATCHES.
- GLOSS BLACK FINISHES SHOULD BE CLEANED WITH MILD SOAP AND WATER.

**WESTIN**

Westin Automotive Products, Inc.  
320 W. Covina Blvd  
San Dimas, Ca. 91773

Thank you for choosing Westin products  
for additional installation assistance please call  
Customer Service (800) 793-7846  
[www.westinautomotive.com](http://www.westinautomotive.com)





## WARNING



Failure to follow these instructions could lead to death, personal injury, and / or property damage.

Failure to follow these instructions could lead to death, personal injury, and / or property damage.

### FASTENERS:

All Westin supplied fasteners must be utilized and installed in accordance with the installation instructions and apply torque to the specifications as defined. **DOUBLE CHECK ALL FASTENERS BEFORE INITIAL USE, AND PERIODICALLY IN THE FUTURE TO ENSURE PROPER FUNCTION AND SAFETY.**

### DRILLING:

Most Westin products do not require drilling for installation. If drilling is defined as required, use caution when drilling a vehicle. **FAILURE TO REVIEW AN AREA TO BE DRILLED MAY RESULT IN PERSONAL INJURY AND/OR INJURY TO OTHERS AS WELL AS VEHICLE DAMAGE.**

### EYE PROTECTION:

**ALWAYS WEAR SAFETY GLASSES OR GOGGLES DURING THE INSTALLATION PROCESS TO AVOID PERSONAL INJURY.**

### MAXIMUM TOWING/CARRYING CAPACITY: (if applicable)

The Westin Receiver Hitches will have a visible tow rating label affixed directly on the product. User should never exceed the vehicle manufacturers maximum tow and weight rating regardless of the capacity of the hitch. **FAILURE TO FOLLOW THESE GUIDELINES WILL VOID THE WESTIN WARRANTY AND MAY RESULT IN PERSONAL INJURY AND/OR INJURY TO OTHERS AS WELL AS VEHICLE DAMAGE.**

### FOR CALIFORNIA RESIDENTS ONLY-PROP 65 WARNING:

Some products may contain chemicals such as DEHP, which can cause cancer, birth defects or other reproductive harm. For more info go to [www.p65warnings.ca.gov](http://www.p65warnings.ca.gov)



Westin Automotive Products, Inc.  
320 W. Covina Blvd  
San Dimas, Ca. 91773